



MODEL:
DM-F Series

12"~24" LCD Monitor

DisplayPort/HDMI/VGA, IP 65 Protection, RoHS

User Manual

Revision

Date	Version	Changes
29 April, 2015	1.12	Update Figure 3-1: 3-pin Terminal Block
4 March, 2015	1.11	Update Section 1.6: Technical Specifications Update Section 1.8: Physical Dimensions Update Section 3.4.1: Panel Mounting (Cutout dimensions also updated)
23 December, 2014	1.10	Update to R11 version
10 June, 2014	1.01	Update Section 4.4.1: Panel Mounting
25 March, 2014	1.00	Initial Release

Copyright

COPYRIGHT NOTICE

The information in this document is subject to change without prior notice in order to improve reliability, design and function and does not represent a commitment on the part of the manufacturer.

In no event will the manufacturer be liable for direct, indirect, special, incidental, or consequential damages arising out of the use or inability to use the product or documentation, even if advised of the possibility of such damages.

This document contains proprietary information protected by copyright. All rights are reserved. No part of this manual may be reproduced by any mechanical, electronic, or other means in any form without prior written permission of the manufacturer.

TRADEMARKS

All registered trademarks and product names mentioned herein are used for identification purposes only and may be trademarks and/or registered trademarks of their respective owners.

Table of Contents

1 INTRODUCTION.....	1
1.1 OVERVIEW.....	2
1.2 FEATURES.....	2
1.3 MODEL VARIATIONS	3
1.4 APPLICATIONS	3
1.5 EXTERNAL OVERVIEW.....	4
1.5.1 Front View.....	4
1.5.2 Rear View.....	5
1.5.3 Connectors.....	6
1.6 TECHNICAL SPECIFICATIONS	7
1.7 CERTIFICATIONS	8
1.8 PHYSICAL DIMENSIONS	9
1.8.1 DM-F12A Physical Dimensions.....	9
1.8.2 DM-F15A Physical Dimensions.....	10
1.8.3 DM-F17A Physical Dimensions.....	11
1.8.4 DM-F22A Physical Dimensions.....	12
1.8.5 DM-F24A Physical Dimensions.....	13
2 UNPACKING	14
2.1 UNPACKING PROCEDURE.....	15
2.2 PACKING LIST.....	16
2.3 OPTIONAL ITEMS	17
3 INSTALLATION	18
3.1 INSTALLATION PRECAUTIONS	19
3.2 PRE-INSTALLATION PREPARATION	20
3.2.1 Tools.....	20
3.3 EXTERNAL PERIPHERAL DEVICE CONNECTION	20
3.3.1 DisplayPort Connector.....	21
3.3.2 9V-36V Terminal Block.....	22
3.3.3 9V-36V DC Jack.....	22

DM-F Series Monitor

3.3.4	<i>HDMI Connector</i>	23
3.3.5	<i>RS-232 for Touch Panel Connector (Reserved for resistive touch ATO)</i>	23
3.3.6	<i>USB for Touch Panel Connector</i>	24
3.3.7	<i>VGA Connector</i>	24
3.4	MOUNTING THE MONITOR	25
3.4.1	<i>Panel Mounting</i>	25
3.4.2	<i>Cabinet and Rack Installation</i>	31
3.4.3	<i>Wall Mounting</i>	33
3.4.4	<i>Monitor Stand Installation</i>	35
3.4.5	<i>Monitor Arm Installation</i>	36
4	ON-SCREEN-DISPLAY (OSD) CONTROLS	38
4.1	USER MODE OSD STRUCTURE	39
4.1.1	<i>OSD Keypad</i>	39
4.1.2	<i>OSD Menu Structure</i>	40
4.2	USING THE OSD	41
4.2.1	<i>Image Menu</i>	41
4.2.1.1	<i>Color Setting</i>	41
4.2.2	<i>Display Menu</i>	42
4.2.3	<i>System Menu</i>	43
4.2.3.1	<i>Input</i>	44
4.2.3.2	<i>OSD Settings</i>	46
5	SOFTWARE DRIVERS	47
5.1	INTRODUCTION	48
5.2	RS-232 OR USB TOUCH SCREEN	48
5.3	TOUCH PANEL DRIVER INSTALLATION	49
5.4	CHANGE THE TOUCH SCREEN INTERFACE	53
5.5	CALIBRATING THE TOUCH SCREEN	53
A	SAFETY PRECAUTIONS	56
A.1	SAFETY PRECAUTIONS	57
A.1.1	<i>General Safety Precautions</i>	57
A.1.2	<i>Anti-static Precautions</i>	58
A.2	MAINTENANCE AND CLEANING PRECAUTIONS	58
A.2.1	<i>Maintenance and Cleaning</i>	58

<i>A.2.2 Cleaning Tools</i>	59
B CERTIFICATIONS	60
B.1 RoHS COMPLIANT	61
B.2 IP 65 COMPLIANT FRONT PANEL	61
C SMARTOSD	62
C.1 IEI SMARTOSD QUICK INSTALLATION GUIDE	63
C.2 PRE-INSTALLATION NOTICE	63
C.3 SMARTOSD INSTALL	63
C.4 SOFTWARE ILLUSTRATION	66
<i>C.4.1 Manage Page</i>	69
<i>C.4.2 EDID Page</i>	70
<i>C.4.3 Image Page</i>	71
<i>C.4.4 Display Page (for analog signal)</i>	72
<i>C.4.5 Color Page</i>	73
<i>C.4.6 PIP Page</i>	74
<i>C.4.7 System Page</i>	75
<i>C.4.8 About Page</i>	76
C.5 SMARTOSD FAQ.....	77
<i>C.5.1 Windows 2000 Installation Failure</i>	77
<i>C.5.2 Vista Installation Failure</i>	77
<i>C.5.3 Model Failure</i>	78
<i>C.5.4 DDC Port Failure</i>	79

List of Figures

Figure 1-1: DM-F Series	2
Figure 1-2: Typical Monitor Front View	4
Figure 1-3: Typical Rear View.....	5
Figure 1-4: Connectors (DM-F12A/15A/17A).....	6
Figure 1-5: Connectors (DM-F22A/24A).....	6
Figure 1-6: DM-F12A Physical Dimensions (millimeters).....	9
Figure 1-7: DM-F15A Physical Dimensions (millimeters).....	10
Figure 1-8: DM-F17A Physical Dimensions (millimeters).....	11
Figure 1-9: DM-F22A Physical Dimensions (millimeters).....	12
Figure 1-10: DM-F24A Physical Dimensions (millimeters).....	13
Figure 3-1: Connectors (DM-F12A/15A/17A).....	21
Figure 3-2: Connectors (DM-F22A/24A).....	21
Figure 3-3: DisplayPort connector.....	22
Figure 3-4: 3-pin Terminal Block.....	22
Figure 3-5: 9V-36V DC Jack.....	23
Figure 3-6: HDMI Connector.....	23
Figure 3-7: RS-232 Touch Panel Connector	24
Figure 3-8: USB Touch Panel Connector	24
Figure 3-9: VGA Connector	25
Figure 3-10: Mounting Clamps Holder.....	26
Figure 3-11: Mounting Clamps	26
Figure 3-12: DM-F12A Cutout Dimensions (Unit: mm)	27
Figure 3-13: DM-F15A Cutout Dimensions (Unit: mm)	27
Figure 3-14: DM-F17A Cutout Dimensions (Unit: mm)	27
Figure 3-15: DM-F22A Cutout Dimensions (Unit: mm)	27
Figure 3-16: DM-F24A Cutout Dimensions (Unit: mm)	28
Figure 3-17: Secure the Mounting Clamps Holders.....	28
Figure 3-18: Panel Mounting Clamp Position	29
Figure 3-19: Mounting Clamps Holder Dimensions	29
Figure 3-20: Ultra Set Plate Dimensions	30

Figure 3-21: Bolt Dimensions	30
Figure 3-22: Steering Button Dimensions	30
Figure 3-23: The Rack/Cabinet Bracket	31
Figure 3-24: Secure the Rack/Cabinet Bracket	32
Figure 3-25: Install into a Rack/Cabinet	32
Figure 3-26: Wall-mounting Bracket	33
Figure 3-27: Mount the Chassis	34
Figure 3-28: VESA Mounting Holes	35
Figure 3-29: Monitor Stand Mounting	36
Figure 3-30: Monitor Arm Mounting	37
Figure 4-1: OSD Keypad	39
Figure 4-2: Image Menu	41
Figure 4-3: Color Settings	42
Figure 4-4: Display Menu	43
Figure 4-5: System Menu	44
Figure 4-6: Input Options	45
Figure 4-7: OSD Settings Menu	46
Figure 5-1: Setup Icon	50
Figure 5-2: Welcome Screen	50
Figure 5-3: License Agreement	51
Figure 5-4: Initiate Install	51
Figure 5-5: Installation Starts	52
Figure 5-6: Finish Installation	52
Figure 5-7: PenMount Monitor Icon	53
Figure 5-8: PenMount Monitor Popup Menu	54
Figure 5-9: Configuration Screen	54
Figure 5-10: Calibration Initiation Screen	55
Figure 5-11: Calibration Screen	55

List of Tables

Table 1-1: DM-F Series Model Variations	3
Table 1-2: DM-F Series Specifications.....	8
Table 2-1: Packing List.....	16
Table 2-2: Optional Items	17
Table 3-1: HDMI Connector Pinouts	23
Table 4-1: OSD Menu Structure.....	40
Table C-1: SmartOSD Menu Structure.....	68

Chapter

1

Introduction

1.1 Overview



Figure 1-1: DM-F Series

The DM-F series LCD monitor is the latest member of IEI's line of sophisticated LCD designs, and it has been improved to be RoHS compliant. It is designed to fit industrial automation, or any other applications that require minimum installation space and flexible configuration. The flat front panel provides IP 65 protection, which effectively wards off dust and water. Flexible analog or digital interfaces are provided for ease of connection with a management computer.

1.2 Features

The DM-F series have the following standard features:

- Robust IP 65 aluminum front bezel
- Aesthetic ultra-thin bezel for seamless panel mount installation
- Wide range 9V~36V DC input
- HDMI/Display Port/VGA flexible video input solution
- Projected capacitive multi-touch/ resistive single touch options

DM-F Series Monitor

1.3 Model Variations

The DM-F series LCD monitor base models have a variety of variants. The model variations are listed in **Table 1-1**.

Model Number	LCD	Touch Screen
DM-F12A/R-R10	12"	W/ USB resistive touch screen
DM-F12A/PC-R10		W/ USB projected capacitive touch screen
DM-F15A/R-R10	15"	W/ USB resistive touch screen
DM-F15A/PC-R10		W/ USB projected capacitive touch screen
DM-F17A/R-R10	17"	W/ USB resistive touch screen,
DM-F17A/PC-R10		W/ USB projected capacitive touch screen
DM-F22A/PC-R10	21.5"	W/ USB projected capacitive touch screen
DM-F24A/PC-R10	24"	W/ USB projected capacitive touch screen

Table 1-1: DM-F Series Model Variations

1.4 Applications

The DM-F series LCD monitor is designed for rigorous industrial environments where it may be exposed to both heat and moisture. Its durability and strength also makes it an ideal choice for public access computers. Some possible applications include:

- Digital surveillance
- Multimedia advertising platform
- General Computing
 - Computer-based testing center
 - General purpose information system
 - Mobile nursing station
 - Interactive education use
- Automation & Control
 - Plant environment monitoring
 - Factory automation HMI terminal
 - Shop-floor/MES control
- Self-service Kiosk

- Full-service receptionist kiosk
- Hospital self-registration terminal
- Interactive photo kiosk
- Video rental kiosk
- Self-service POS terminal

1.5 External Overview

The DM-F series LCD monitors are durable devices that can be used in harsh industrial environments. The following sections describe the physical layout of the DM-F series LCD monitors.

1.5.1 Front View

The front of the DM-F series LCD monitor is a flat panel LCD screen surrounded by an aluminum frame.

Figure 1-2 shows a typical monitor front view.



Figure 1-2: Typical Monitor Front View

DM-F Series Monitor

1.5.2 Rear View

The rear panel provides access to retention screw holes that support various mounting. There is a 7-key membrane OSD keypad on the rear panel.

Figure 1-3 shows a typical DM-F rear panel.

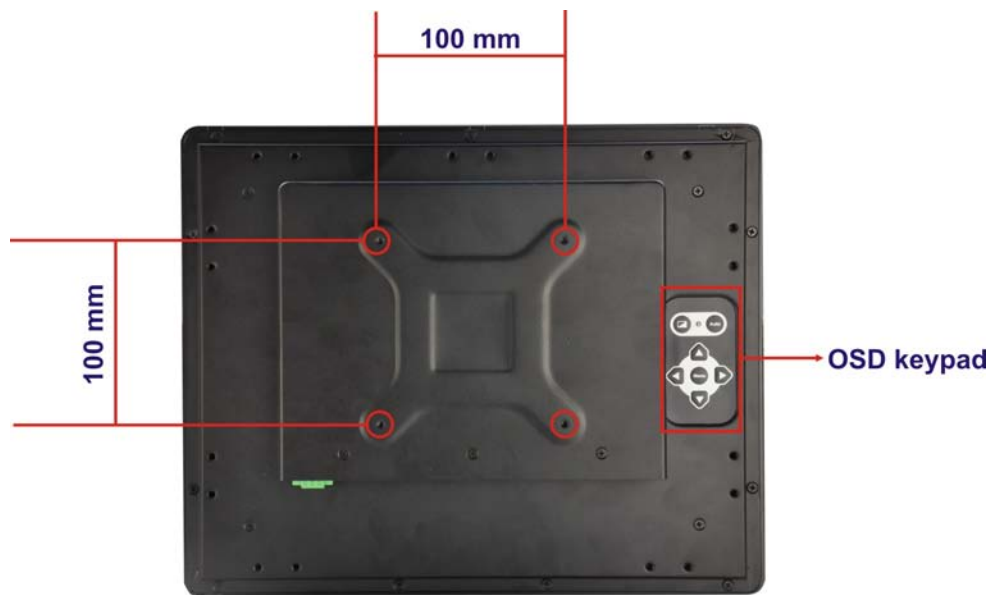


Figure 1-3: Typical Rear View

1.5.3 Connectors

Figure 1-4 and **Figure 1-5** shows the bottom panel of the DM-F series LCD monitor. All connectors are fully described in **Section 3.3**.

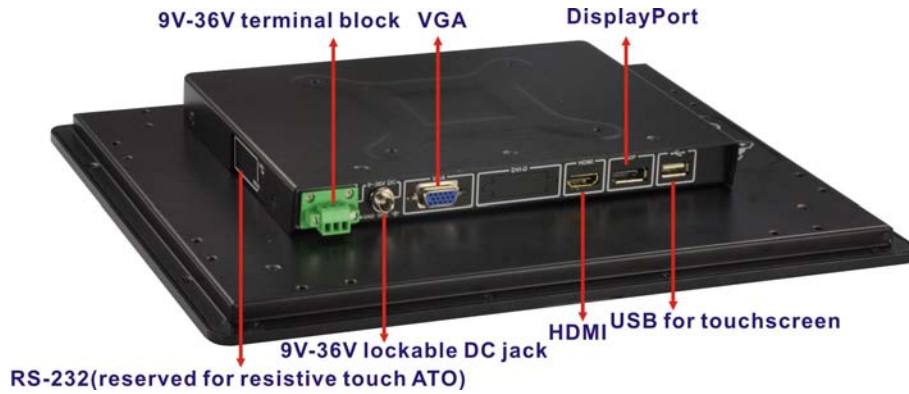


Figure 1-4: Connectors (DM-F12A/15A/17A)

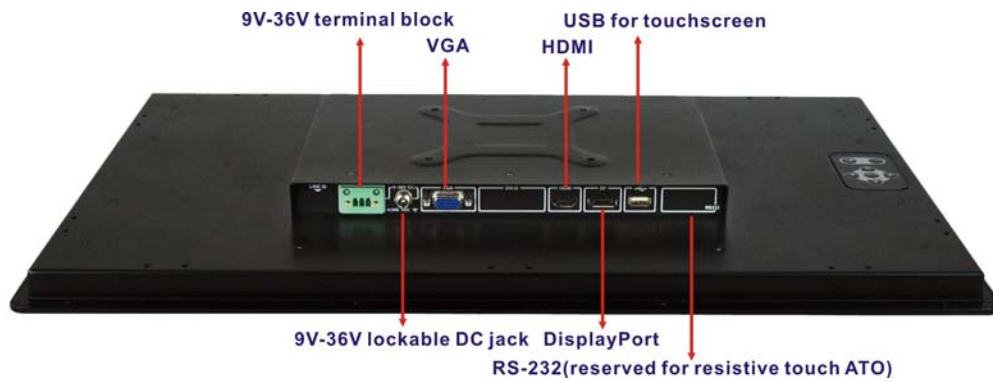


Figure 1-5: Connectors (DM-F22A/24A)

DM-F Series Monitor

1.6 Technical Specifications

Table 1-2 shows the DM-F series technical specifications.

Model	DM-F12A	DM-F15A	DM-F17A	DM-F22A	DM-F24A
LCD Display	12" (4:3)	15" (4:3)	17" (5:4)	21.5" (16:9)	24" (16:9)
Max. Resolution	1024(W) x 768(H)	1024(W) x 768(H)	1280(W) x 1024(H)	1920(W) x 1080(H)	1920(W) x 1080(H)
Brightness (cd/m ²)	600	400	350	250	250
Contrast Ratio	700:1	700:1	1000:1	1000:1	3000:1
LCD Color	16.2M	16.2M	16.7M	16.7M	16.7M
Pixel Pitch (mm)	0.24 x 0.24	0.29 x 0.29	0.26 x 0.26	0.25 x 0.25	0.28 x 0.28
Viewing Angle (H/V)	160°/140°	160°/140°	170°/160°	170°/160°	178°/178°
Backlight MTBF (Hrs)	50000	50000	50000	30000	30000
Touch	Resistive type 5-wire flat touch window/ Penmount 6000 Projected capacitive flat touch window/ EETI EXC7200			Projected capacitive flat touch window/ EETI EXC7200	Projected capacitive flat touch window/ EETI EXC3000
AD Board	AV-6038	AV-6038	AV-6038	AV-6038	AV-6038
I/O Ports	1 x VGA (DB-15) 1 x HDMI 1 x DisplayPort 1.1 1 x USB 2.0 (touch) 1 x RS-232 (touch) [reserved for resistive touch ATO] 1 x Lockable 9V-36V DC jack 1 x 9V-36V terminal block				
OSD Button	7-key membrane OSD keypad				
Smart OSD	Smart OSD Software				
Construction Material	Aluminum front cover and sheet metal rear cover				
Mounting	Panel Mount/ Rack Mount/ 100*100 VESA Mount				
Enclosure Color	Black C				
Dimension	262.2 x 322.2 x 40.5 mm	303 x 378.5 x 43.2 mm	341.4 x 408.4 x 49.3 mm	358.4 x 550.4 x 49.1 mm	382 x 600 x 49.4 mm
Cutout Dimensions	244.8 x 304.8 mm	285.6 x 361.1 mm	324 x 391 mm	340 x 532 mm	358.6 x 576.6 mm

Model	DM-F12A	DM-F15A	DM-F17A	DM-F22A	DM-F24A
Weight (Net/Gross) Kg	2.7/4.9	3.5/5.5	4.4/7.1	6.3/9.6	7.6/10.9
Operating Temperature	-20°C ~ 60°C (with air flow)			-10°C ~ 50°C (with air flow)	
Storage Temperature	-20°C ~ 70°C			-20°C ~ 60°C	
Humidity	10% to 95% (non-condensing)				
IP Level	IP 65 compliant front panel				
Safety and EMC	CE & FCC certified				
Power Input	9V~36V DC				

Table 1-2: DM-F Series Specifications

1.7 Certifications

All DM-F series LCD monitor models comply with the following international standards:

- RoHS
- IP 65

For a more detailed description of these standards, please refer to **Appendix B**.

DM-F Series Monitor

1.8 Physical Dimensions

The following sections describe the physical dimensions for each model of the DM-F series LCD monitor.

1.8.1 DM-F12A Physical Dimensions

The physical dimensions of the DM-F12A are shown in **Figure 1-6**.

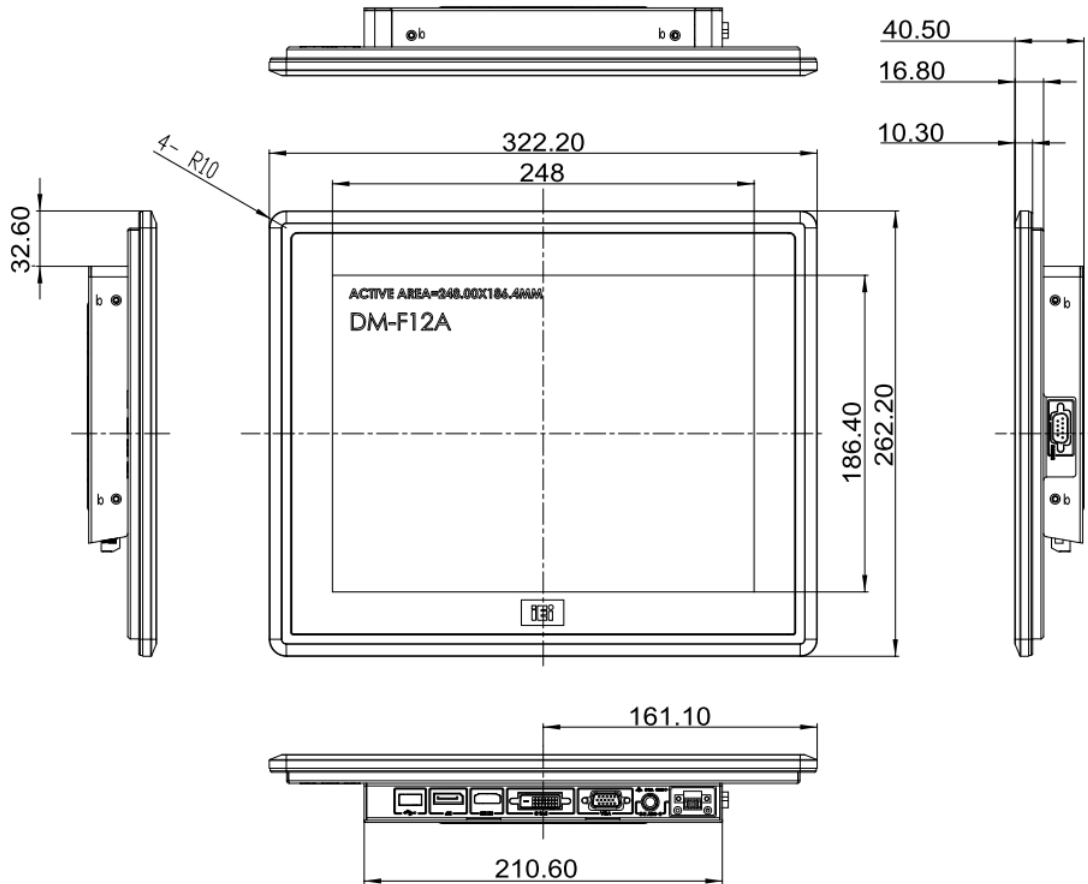


Figure 1-6: DM-F12A Physical Dimensions (millimeters)

1.8.2 DM-F15A Physical Dimensions

The physical dimensions of the DM-F15A are shown in **Figure 1-7**.

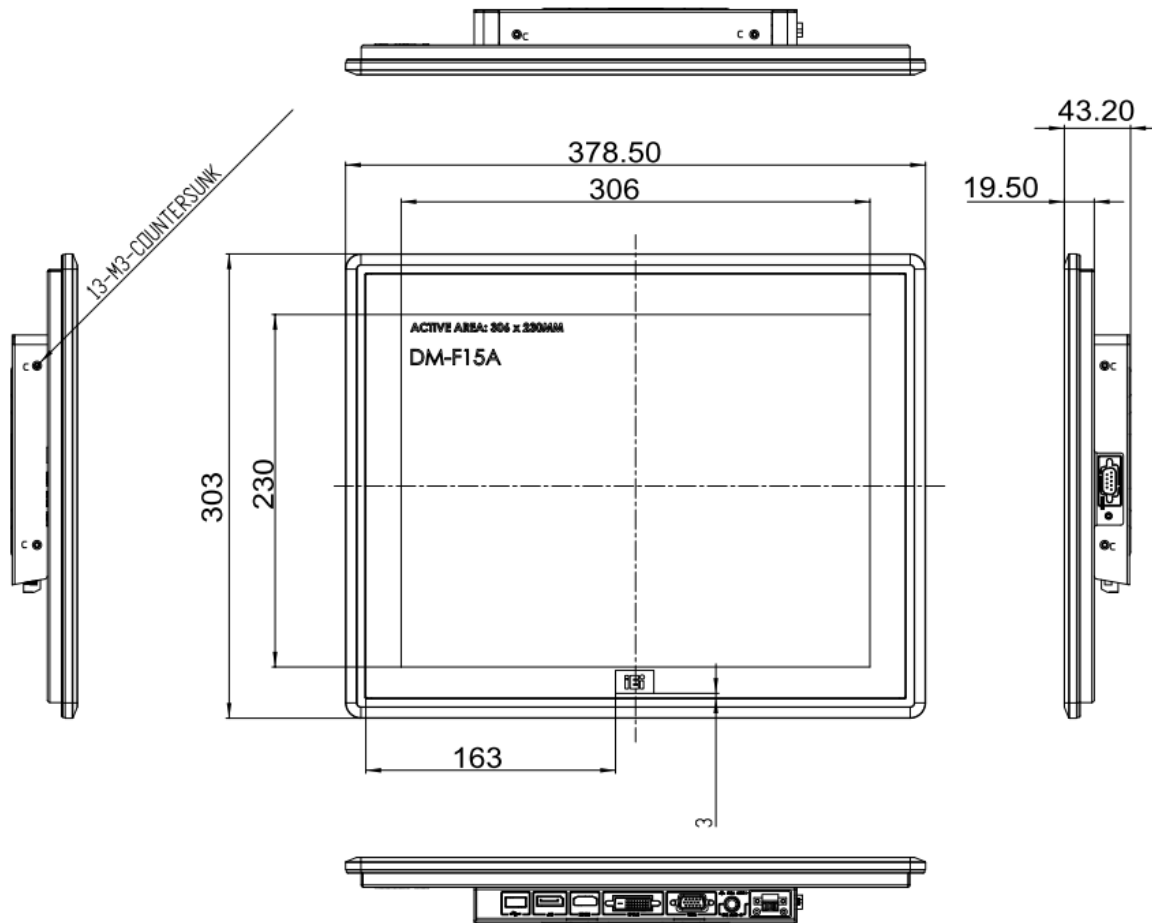


Figure 1-7: DM-F15A Physical Dimensions (millimeters)

DM-F Series Monitor

1.8.3 DM-F17A Physical Dimensions

The physical dimensions of the DM-F17A are shown in **Figure 1-8**.

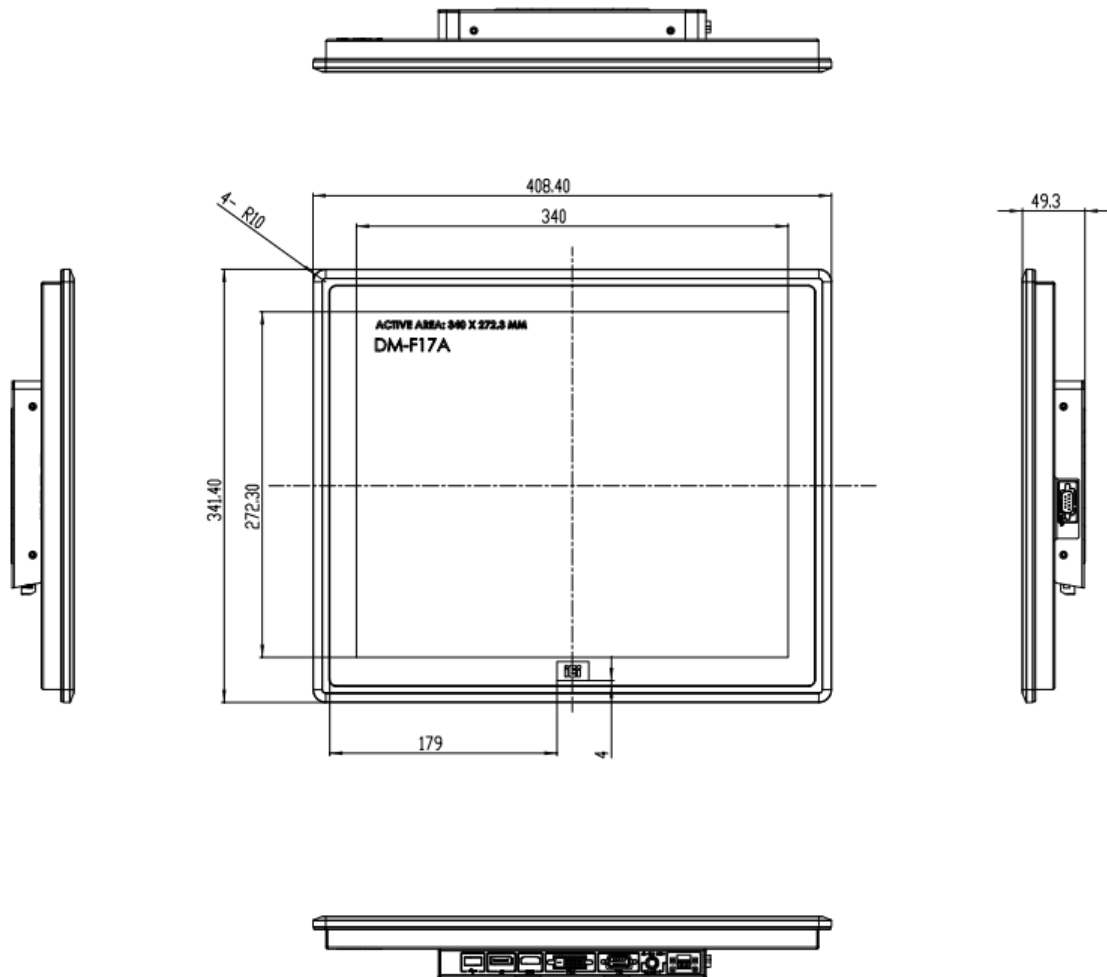


Figure 1-8: DM-F17A Physical Dimensions (millimeters)

1.8.4 DM-F22A Physical Dimensions

The physical dimensions of the DM-F22A are shown in **Figure 1-9**.

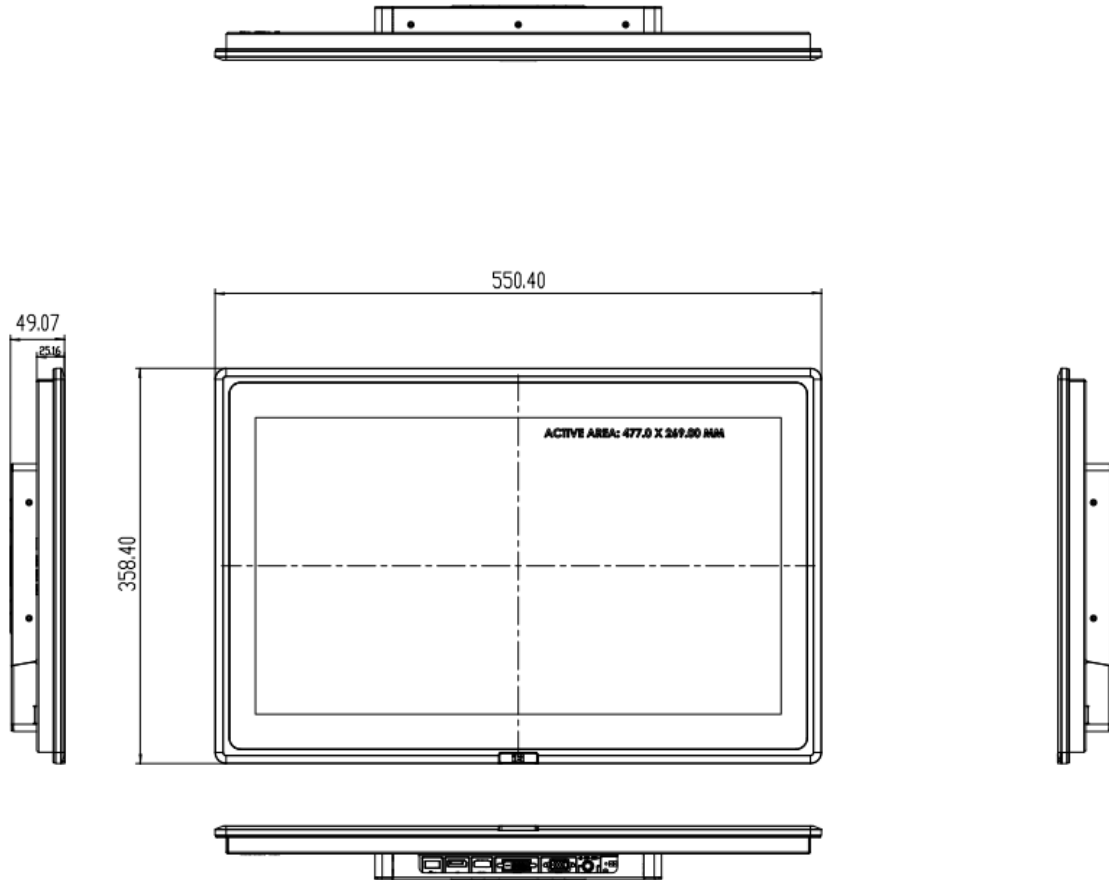


Figure 1-9: DM-F22A Physical Dimensions (millimeters)

DM-F Series Monitor

1.8.5 DM-F24A Physical Dimensions

The physical dimensions of the DM-F24A are shown in **Figure 1-10**.

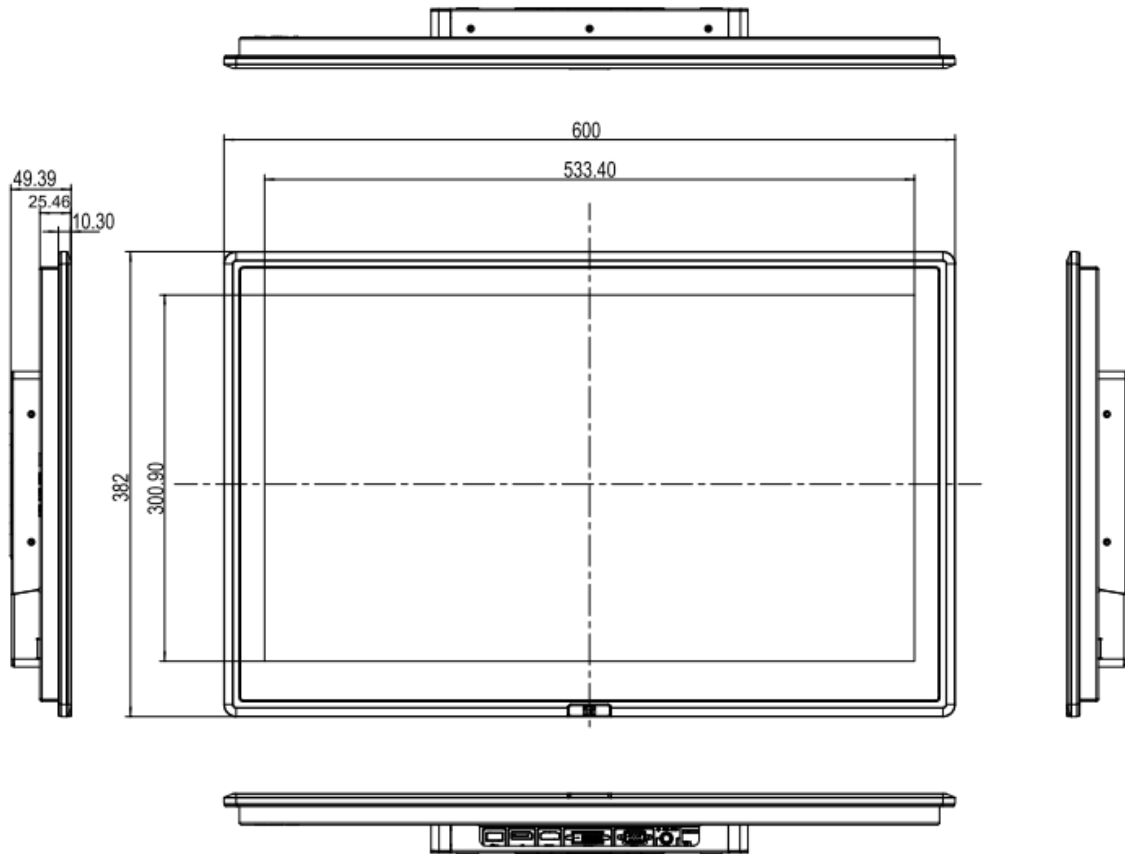


Figure 1-10: DM-F24A Physical Dimensions (millimeters)

Chapter

2

Unpacking

DM-F Series Monitor

2.1 Unpacking Procedure

To unpack the DM-F series LCD monitor, follow the steps below:

**WARNING:**

The front side LCD screen has a protective plastic cover stuck to the screen. Only remove the plastic cover after the DM-F series LCD monitor has been properly installed. This ensures the screen is protected during the installation process.

- Step 1:** Use box cutters, a knife or a sharp pair of scissors that seals the top side of the external (second) box.
- Step 2:** Open the external (second) box.
- Step 3:** Use box cutters, a knife or a sharp pair of scissors that seals the top side of the internal (first) box.
- Step 4:** Lift the monitor out of the boxes.
- Step 5:** Remove both polystyrene ends, one from each side.
- Step 6:** Pull the plastic cover off the DM-F series LCD monitor.
- Step 7:** Make sure all the components listed in the packing list are present.

2.2 Packing List

The DM-F series monitor is shipped with the following components:






Quantity	Item	Image
1	DM-F series	
1	USB Cable (For touch screen) (P/N: 32001-006100-100-RS)	
1	VGA Cable (P/N: 32000-036200-RS)	
1	Touch pen (Resistive touch only) (P/N: 43125-0002C0-00-RS)	
1	Utility CD (Drivers and user manual)	

Table 2-1: Packing List

If any of the above items are missing or damaged, contact the distributor or sales representative immediately.

DM-F Series Monitor

2.3 Optional Items

The following items are optional accessories for the DM-F series monitor:

Item	DM-F12A	DM-F15A	DM-F17A	DM-F22A	DM-F24A
Arm	ARM-11-RS	ARM-31-RS			
Stand	STAND-A12-RS	STAND-A19-RS STAND-B19-RS	STAND-C19-RS STAND-A21-R10		
Wall Mount Kit	WK-190MS-R10				
Panel Mount Kit	FPK-01-R10			FPK-02-R10	FPK-03-R10
Rack Mount Kit	FRK12-R10	FRK15-R10	FRK17-R10	N/A	
Cable Cover	N/A	DM-F-CC01-R10		DM-F-CC02-R10	
RS-232 Touch Cable Kit	DM-F-COMKIT01-R10			N/A	
HDMI Cable	32012-000100-200-RS				
Display Port Cable	32004-000200-100-RS				
Power Adapter	63040-010060-040-RS (60W 12V DC adapter with lock)				
Power cord	Depends on shipping region				

Table 2-2: Optional Items

Chapter

3

Installation

3.1 Installation Precautions

When installing the DM-F series LCD monitor, please follow the precautions listed below:

- **Read the user manual:** The user manual provides a complete description of the DM-F series LCD monitor, installation instructions and configuration options.
- **DANGER! Disconnect Power:** Power to the monitor must be disconnected when installing the DM-F series LCD monitor, or before any attempt is made to access the rear panel. Electric shock and personal injury might occur if the rear panel of the monitor is opened while the power cord is still connected to an electrical outlet.
- **Qualified Personnel:** The DM-F series LCD monitor must be installed and operated only by trained and qualified personnel. Maintenance, upgrades, or repairs may only be carried out by qualified personnel who are familiar with the associated dangers.
- **Mounting:** Since the monitor may weigh up to 10 kg (not including a swing arm or other accessories), please ensure at least two people assist with mounting the monitor.
- **Air Circulation:** Make sure there is sufficient air circulation when installing the monitor. The monitor's cooling vents must not be obstructed by any objects. Blocking the vents can cause overheating of the monitor. Leave at least 5 cm of clearance around the monitor to prevent overheating.
- **Grounding:** The monitor should be properly grounded. The voltage feeds must not be overloaded. Adjust the cabling and provide external overcharge protection per the electrical values indicated on the label attached to the back of the monitor.
- **Anti-static Discharge:** The rear panel of the monitor must to be removed to configure the monitor's AD board voltage select jumper. When doing so, be sure the monitor is disconnected from its power source and take all necessary safety precautions to avoid electrocution and static discharge to the AD board. The use of a grounded wrist strap and an anti-static work pad is recommended.

3.2 Pre-installation Preparation

3.2.1 Tools

Before installing the DM-F series LCD monitor, make sure the following tools are on hand:

- **Philips (crosshead) screwdriver:** All the retention screws on the system are Philips screws.
- **Soft working mat:** When the DM-F series LCD monitor is installed, the screen is placed on the working surface. It is therefore important to rest the MPC industrial workstation on a soft mat that cannot damage the LCD screen on the front of the DM-F series LCD monitor.

3.3 External Peripheral Device Connection

The external peripheral interface panel connectors for the DM-F series industrial monitors are listed below.

- 1 x DisplayPort 1.1
- 1 x 9V-36V terminal block
- 1 x Lockable 9V-36V DC jack
- 1 x HDMI
- 1 x RS-232 (reserved for resistive touch ATO)
- 1 x USB 2.0 for touch screen
- 1 x VGA

Figure 3-1 and **Figure 3-2** shows the EPIC panel connectors for the DM-F series LCD monitor. The following sections fully describe EPIC panel connectors.

DM-F Series Monitor

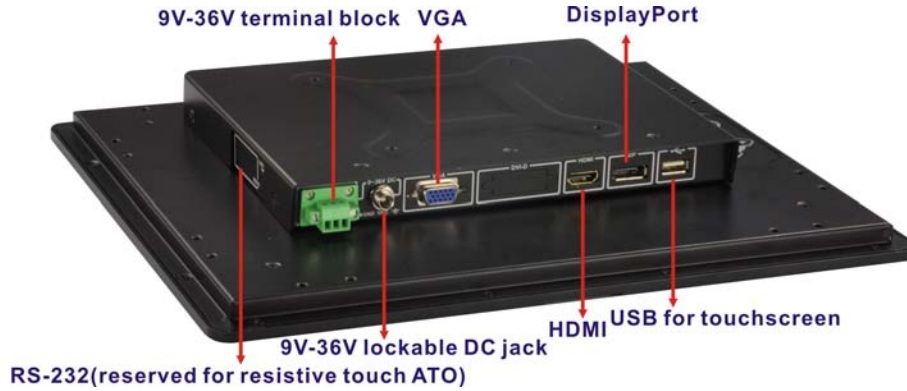


Figure 3-1: Connectors (DM-F12A/15A/17A)

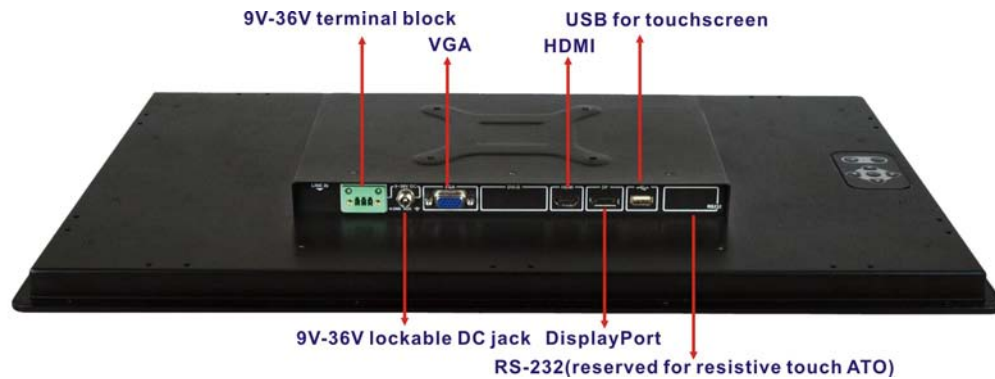


Figure 3-2: Connectors (DM-F22A/24A)

3.3.1 DisplayPort Connector

The DisplayPort connector transmits a digital signal to compatible DisplayPort display devices such as a TV or computer screen.

PIN	DESCRIPTION	PIN	DESCRIPTION
1	ML_L3N	2	GND
3	ML_L3P	4	ML_L2N
5	GND	6	ML_L2P
7	ML_L1N	8	GND
9	ML_L1P	10	ML_LON
11	GND	12	ML_LOP
13	GND	14	GND
15	C_DDI0_DP_AUXP	16	GND

17	C_DDIO_DP_AUXN	18	C_DDIO_DP_HPDP
19	GND	20	VCC
21	GND	22	GND
23	GND	24	GND

Table 3-1: Display Port Connector Pinouts

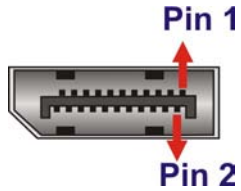


Figure 3-3: DisplayPort connector

3.3.2 9V-36V Terminal Block

Connect the leads of 9V-36V DC power supply into the terminal block. Make sure that the power and ground wires are attached to the correct sockets of the connector.

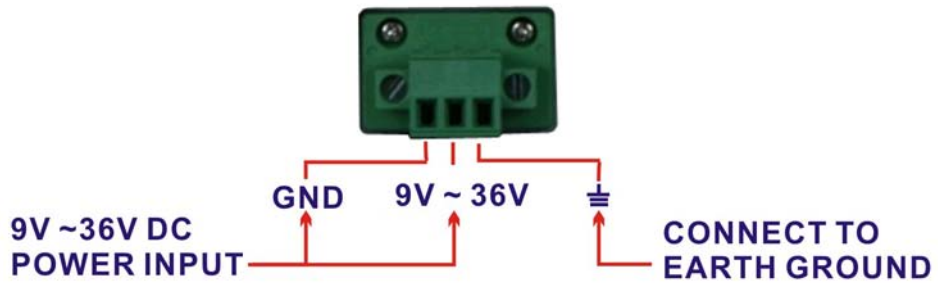


Figure 3-4: 3-pin Terminal Block

3.3.3 9V-36V DC Jack

The power connector connects to the 9V-36V DC power adapter.

DM-F Series Monitor



Figure 3-5: 9V-36V DC Jack

3.3.4 HDMI Connector

The HDMI connector connects to a display device with HDMI interface.

PIN	DESCRIPTION	PIN	DESCRIPTION
1	HDMI_TMDS_C_DATA2	2	GND
3	HDMI_TMDS_C_DATA2#	4	HDMI_TMDS_C_DATA1
5	GND	6	HDMI_TMDS_C_DATA1#
7	HDMI_TMDS_C_DATA0	8	GND
9	HDMI_TMDS_C_DATA0#	10	HDMI_TMDS_C_CLK
11	GND	12	HDMI_TMDS_C_CLK#
13	NC	14	NC
15	HDMI_DDC_SCLK	16	HDMI_DDC_SDATA
17	GND	18	+5V_HDMI
19	HDMI_HPD		

Table 3-1: HDMI Connector Pinouts

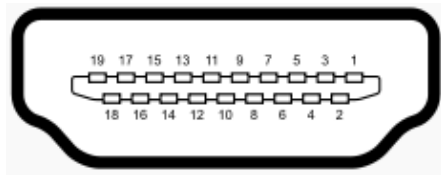


Figure 3-6: HDMI Connector

3.3.5 RS-232 for Touch Panel Connector (Reserved for resistive touch ATO)

Use the rear panel standard RS-232 DB-9 female touch panel connector to connect the monitor to the system graphics interface.

PIN	DESCRIPTION	PIN	DESCRIPTION
1	N/A	6	NDSR
2	NRX	7	NRTS
3	NTX	8	N/A
4	NDTR	9	N/A
5	GND		

Table 3-3: RS-232 Touch Panel Connector Pinouts

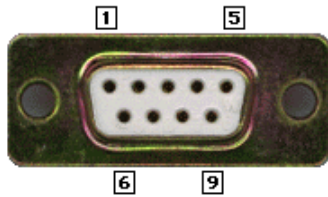


Figure 3-7: RS-232 Touch Panel Connector

3.3.6 USB for Touch Panel Connector

Use the rear panel standard USB touch panel connector to connect the monitor to the system graphics interface.

PIN	DESCRIPTION	PIN	DESCRIPTION
1	VCC	2	USB20_N11
3	USB20_P11	4	GND

Table 3-4: USB Touch Panel Connector Pinouts



Figure 3-8: USB Touch Panel Connector

3.3.7 VGA Connector

Use the rear panel standard 15-pin female VGA connector to connect the monitor to the system graphics interface.

DM-F Series Monitor

PIN	DESCRIPTION	PIN	DESCRIPTION	PIN	DESCRIPTION
1	RED	6	GROUND	11	NC
2	GREEN	7	GROUND	12	DDCDAT
3	BLUE	8	GROUND	13	HSYNC
4	NC	9	NC	14	VSYNC
5	GROUND	10	GROUND	15	DDCCLK

Table 3-5: VGA Connector Pinouts

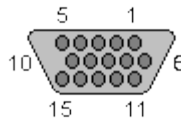


Figure 3-9: VGA Connector

3.4 Mounting the Monitor

The DM-F series LCD monitor can be mounted in a panel, cabinet, rack or wall. The monitor can also be mounted on a monitor arm or stand. The mounting methods are described below.



CAUTION:

When mounting the monitor take care to tighten the retention screws or bolts until fully secure, but do not over tighten. Over tightening the retention screws or bolts may cause them to become stripped, rendering them useless.

3.4.1 Panel Mounting

Each model of the DM-F series LCD monitor has a series of mounting slots located on the top and bottom panel for mounting the monitor to a panel.

Table 3- lists the number of mounting clamps required to mount the monitor to a panel.

Model	Mounting Clamps (Holders included)
DM-F12A	9
DM-F15A	9
DM-F17A	9
DM-F22A	10
DM-F24A	12

Table 3-6: Panel Mounting Clamps

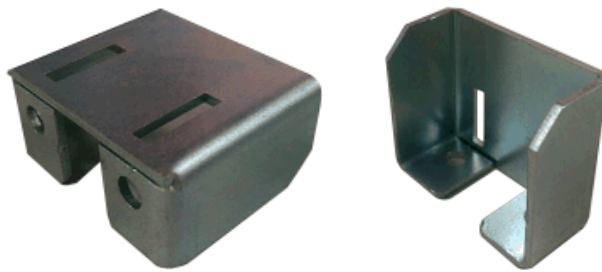


Figure 3-10: Mounting Clamps Holder



Figure 3-11: Mounting Clamps

To mount the DM-F series LCD monitor into a panel, please follow the steps below.

- Step 1:** Select the position on the panel to mount the monitor.
- Step 2:** Cut out a section of the panel that corresponds to the rear panel dimensions of the monitor. Take care that the panel section that is cut out is smaller than the overall size of the metal frame that surrounds the monitor but just large enough for the rear panel of the monitor to fit through.

DM-F Series Monitor

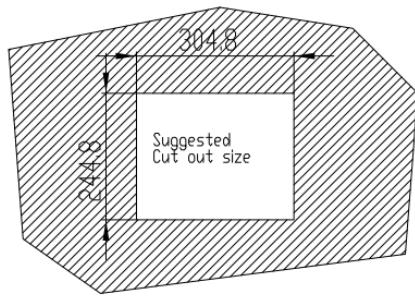


Figure 3-12: DM-F12A Cutout Dimensions (Unit: mm)

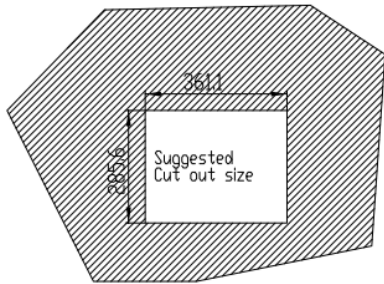


Figure 3-13: DM-F15A Cutout Dimensions (Unit: mm)

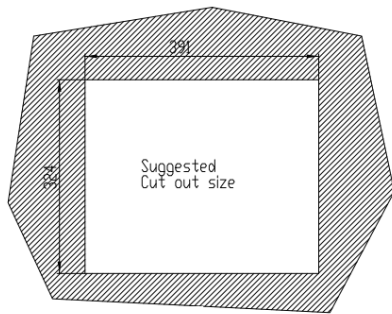


Figure 3-14: DM-F17A Cutout Dimensions (Unit: mm)

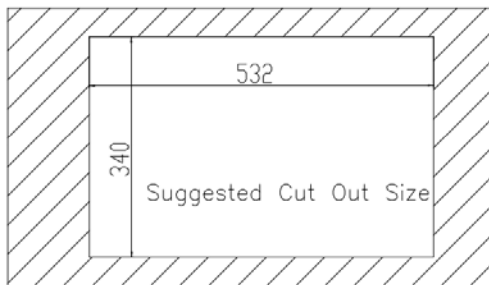


Figure 3-15: DM-F22A Cutout Dimensions (Unit: mm)

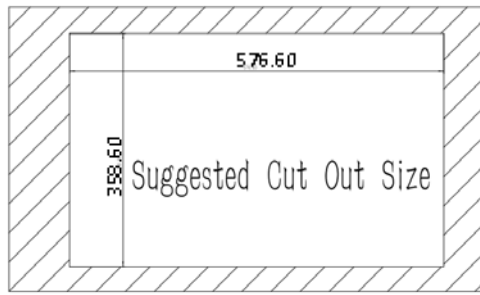


Figure 3-16: DM-F24A Cutout Dimensions (Unit: mm)

Step 3: Secure the mounting clamps holders to the corresponding holes on the rear of the monitor.

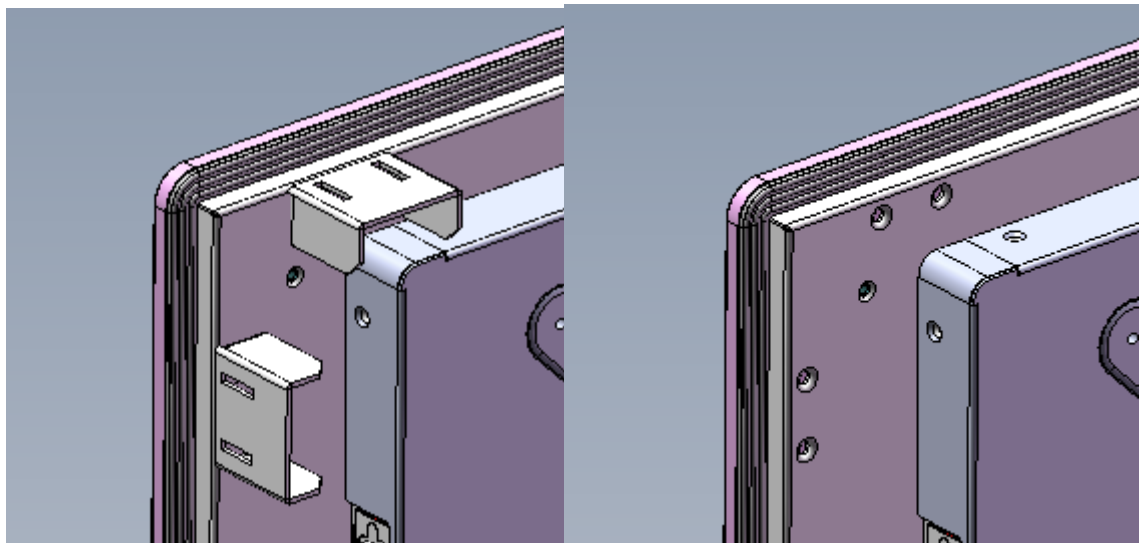


Figure 3-17: Secure the Mounting Clamps Holders

Step 4: Slide the monitor through the hole until the aluminum frame is flush against the panel.

Step 5: Secure the panel mounting brackets to the rear of the monitor and insert the panel mounting clamps into the pre-formed holes along the two edges of the panel mounting brackets.

DM-F Series Monitor

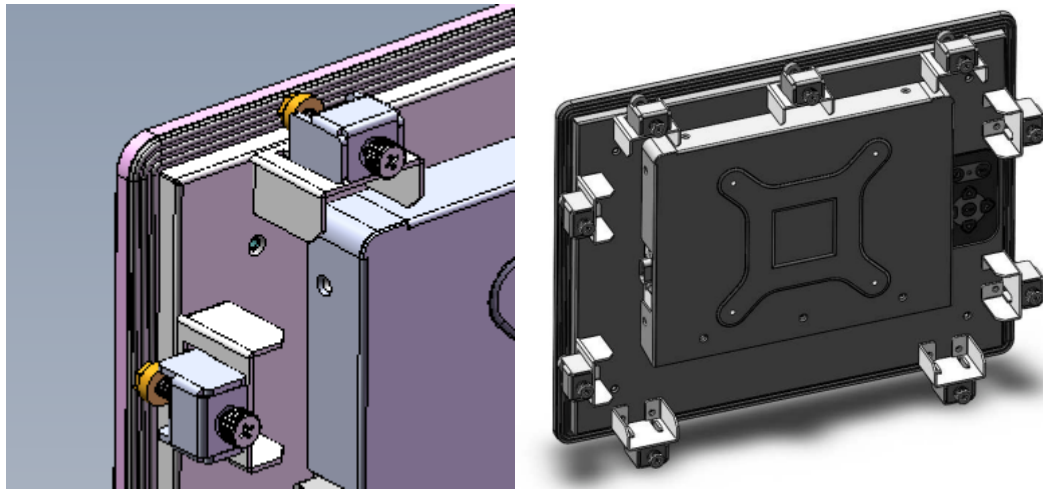


Figure 3-18: Panel Mounting Clamp Position

Step 6: Tighten the screws that pass through the panel mounting clamps until the plastic caps at the front of all the screws are firmly secured to the panel.

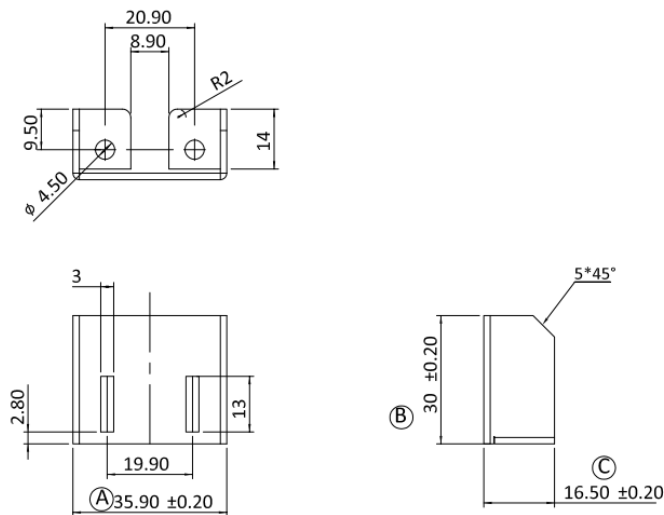


Figure 3-19: Mounting Clamps Holder Dimensions

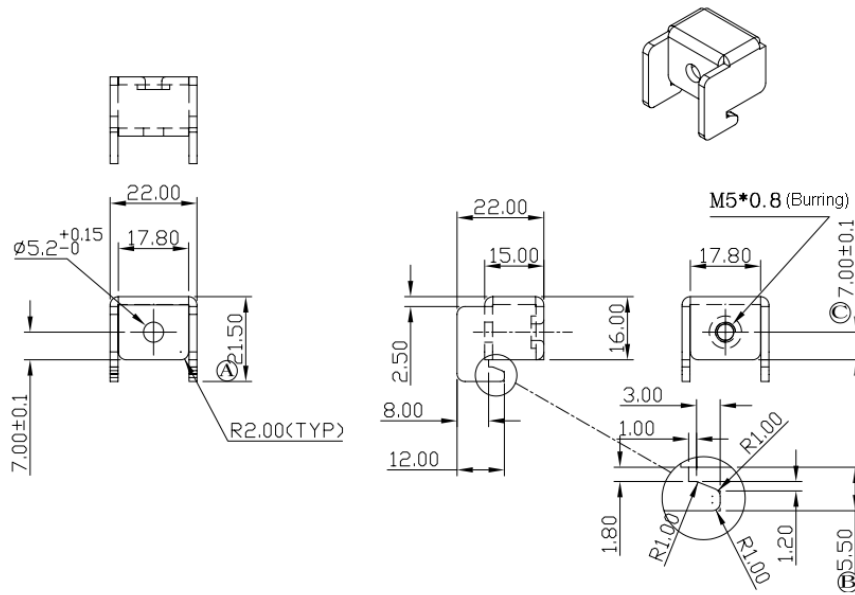


Figure 3-20: Ultra Set Plate Dimensions

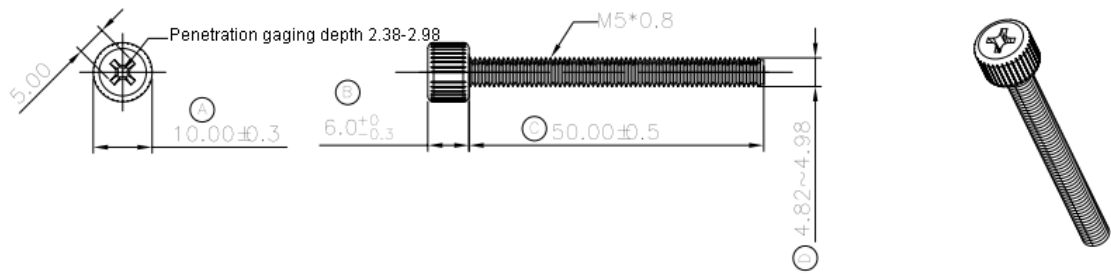


Figure 3-21: Bolt Dimensions

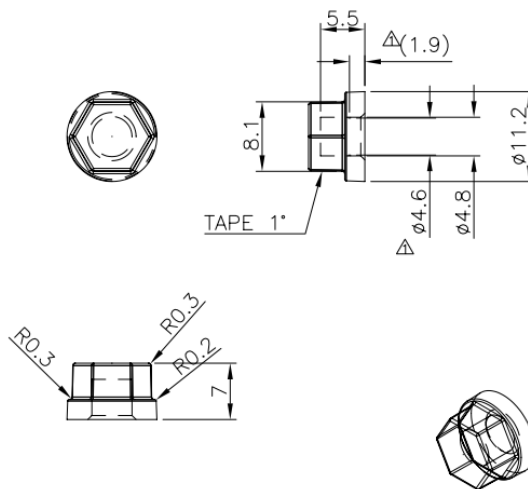


Figure 3-22: Steering Button Dimensions

DM-F Series Monitor

3.4.2 Cabinet and Rack Installation

The DM-F series LCD monitor can be installed into a cabinet or rack. The installation procedures are similar to the panel mounting installation. To do this, please follow the steps below:



NOTE:

When purchasing a cabinet/rack installation bracket, make sure it is compatible with both the monitor and the cabinet/rack into which the monitor is installed.

Step 1: Slide the rear of the DM-F series LCD monitor through the rack/cabinet bracket until the aluminum frame is flush against the front of the bracket (**Figure 3-23**).

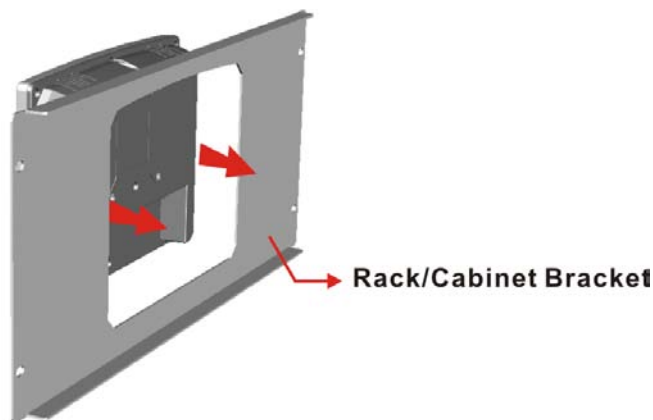


Figure 3-23: The Rack/Cabinet Bracket

Step 2: Secure the panel mounting brackets to the rear of the monitor and insert the panel mounting clamps into the pre-formed holes along the two edges of the panel mounting brackets (**Figure 3-18**).

Step 3: Tighten the screws that pass through the rack mounting clamps until the plastic caps at the front of all the screws are firmly secured to the bracket (**Figure 3-24**).

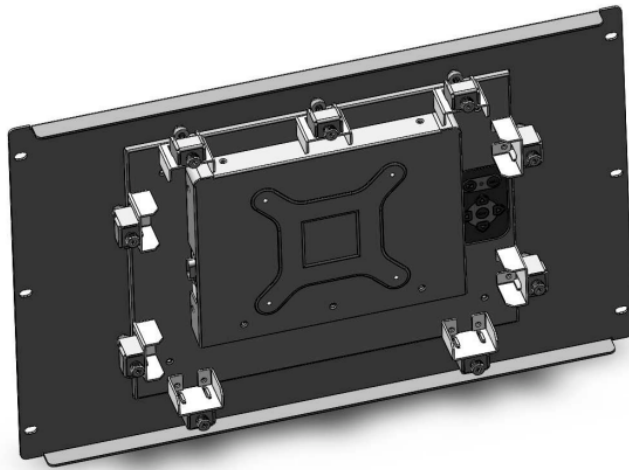


Figure 3-24: Secure the Rack/Cabinet Bracket

Step 4: Slide the LCD monitor with the attached rack/cabinet bracket into a rack or cabinet (**Figure 3-25**).

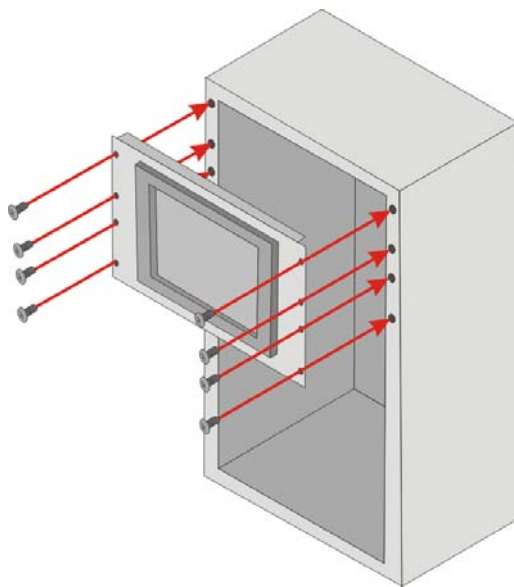


Figure 3-25: Install into a Rack/Cabinet

Step 5: Once the LCD monitor with the attached rack/cabinet bracket has been properly inserted into the rack or cabinet, secure the front of the rack/cabinet bracket to the front of the rack or cabinet (**Figure 3-25**).

DM-F Series Monitor

3.4.3 Wall Mounting

**CAUTION:**

Due to safety concerns, it is highly recommended to use the VESA mounting kits provided by IEI for wall, stand and arm mounting. If the VESA mounting kit is purchased separately, please make sure the mounting kit is UL-listed.

Each model of the DM-F series LCD monitor has four holes located on the rear panel for mounting the monitor to a wall. To mount the DM-F series LCD monitor onto a wall, please follow the steps below.

- Step 6:** Select a location on the wall for the wall-mounting bracket.
- Step 7:** Carefully mark the locations of the four bracket screw holes on the wall.
- Step 8:** Drill four pilot holes at the marked locations on the wall for the bracket retention screws.
- Step 9:** Align the wall-mounting bracket screw holes with the pilot holes.
- Step 10:** Secure the mounting-bracket to the wall by inserting the retention screws into the four pilot holes and tightening them (**Figure 3-26**).

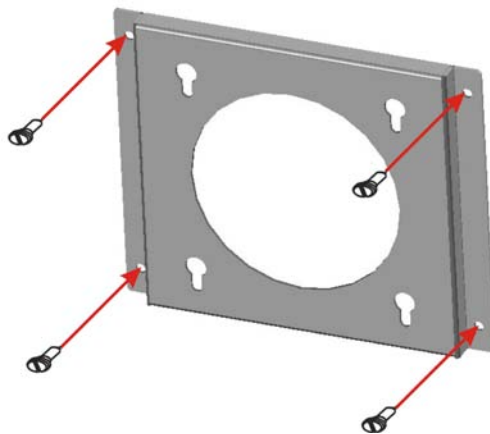


Figure 3-26: Wall-mounting Bracket

Step 11: Insert the four monitor mounting screws provided in the wall mounting kit into the four screw holes on the rear panel of the monitor and tighten until the screw shank is secured against the rear panel (**Figure 3-27**).

Step 12: Align the mounting screws on the monitor rear panel with the mounting holes on the bracket.

Step 13: Carefully insert the screws through the holes and gently pull the monitor downwards until the monitor rests securely in the slotted holes (**Figure 3-27**). Ensure that all four of the mounting screws fit snugly into their respective slotted holes.



NOTE:

In the diagram below the bracket is already installed on the wall.

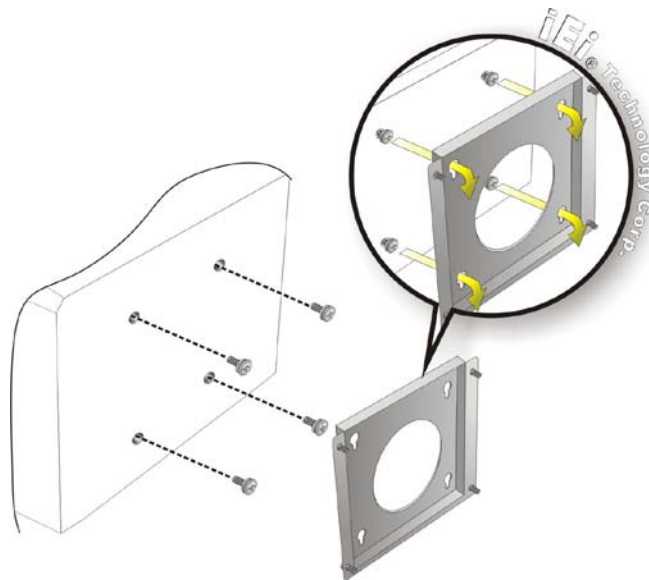


Figure 3-27: Mount the Chassis

DM-F Series Monitor

3.4.4 Monitor Stand Installation

The DM-F series LCD monitor has Video Electronics Standards Association (VESA) standard mounting holes tapped into the rear panel. The standard holes are M4 set at 100mm x 100mm apart (**Figure 3-28**).

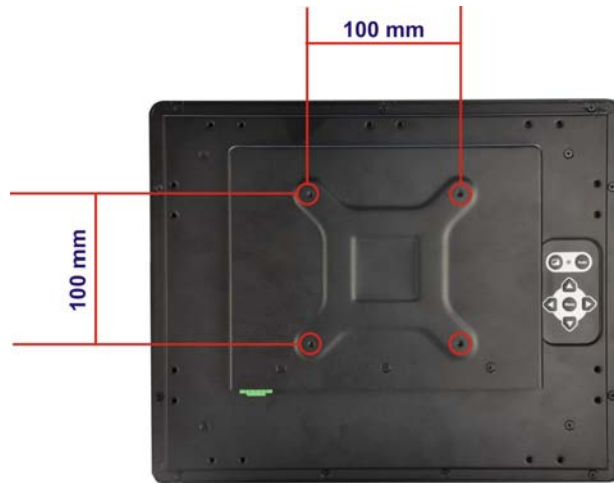


Figure 3-28: VESA Mounting Holes

The monitor stand mounting plate has a matching VESA hole pattern. To mount the DM-F series LCD monitor onto a stand, please follow the steps below.

- Step 1:** Line up the threaded holes on the monitor rear panel with the screw holes on the monitor stand mounting plate.
- Step 2:** Secure the monitor to the stand with the supplied retention screws (**Figure 3-29**).

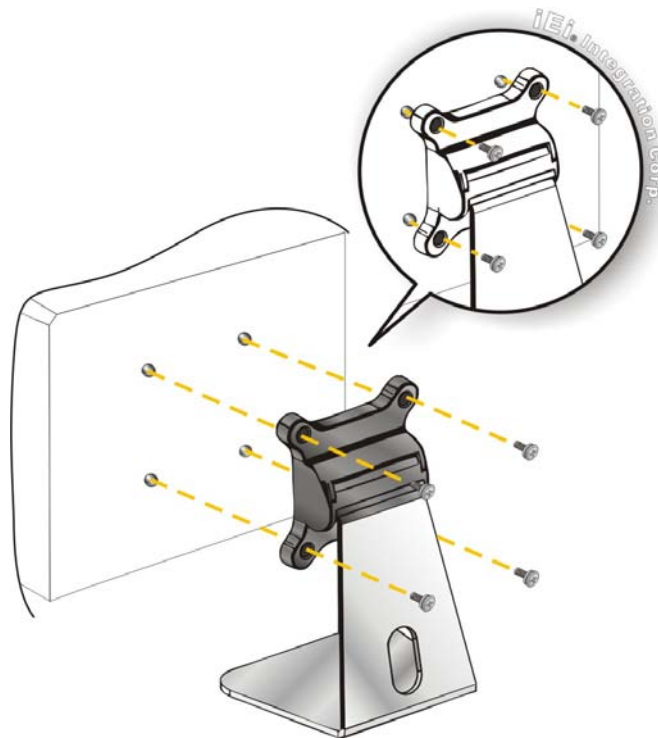


Figure 3-29: Monitor Stand Mounting

3.4.5 Monitor Arm Installation

The DM-F series LCD monitor has Video Electronics Standards Association (VESA) standard mounting holes tapped into the rear panel. The standard holes are M4 set at 100mm x 100mm apart (**Figure 3-28**). The monitor arm mounting plate has a matching VESA hole pattern. To mount the DM-F series LCD monitor onto a monitor arm, please follow the steps below.

- Step 1:** Line up the threaded holes on the monitor rear panel with the screw holes on the monitor arm mounting plate.
- Step 2:** Secure the monitor to the arm with the supplied retention screws (**Figure 3-30**).

DM-F Series Monitor

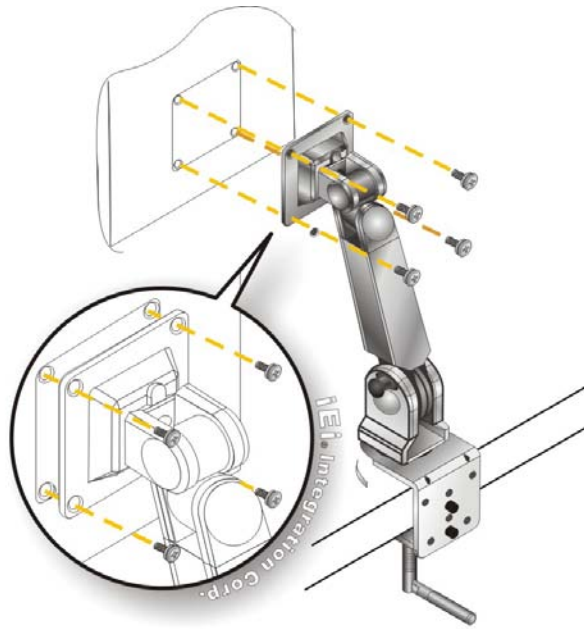


Figure 3-30: Monitor Arm Mounting

Chapter

4

On-Screen-Display (OSD) Controls

DM-F Series Monitor

4.1 User Mode OSD Structure

4.1.1 OSD Keypad

There are several on-screen-display (OSD) control buttons of the OSD keypad on the monitor rear panel. **Figure 4-1** shows the 7-key membrane OSD keypad of the DM-F series LCD monitor.

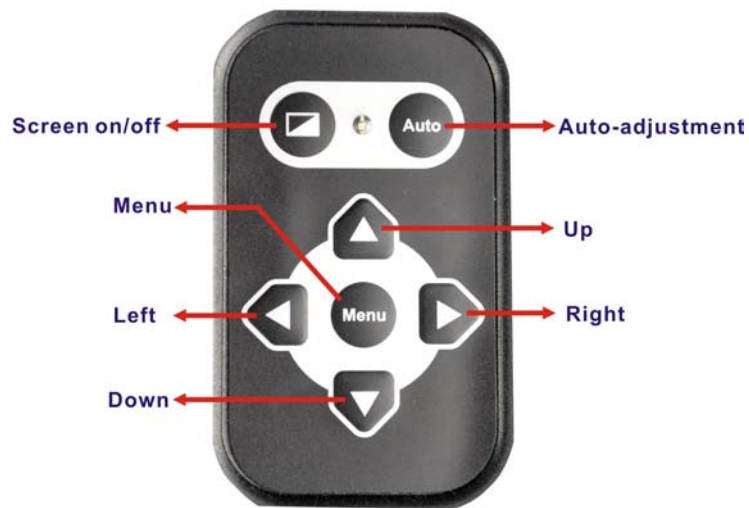


Figure 4-1: OSD Keypad

4.1.2 OSD Menu Structure

Table 4-1 shows the OSD menu structure for all models of the DM-F series LCD monitor.

Level 0	Level 1	Level 2	Value	
Image	Brightness		0 to 100	
	Contrast		0 to 100	
	Sharpness		-4 to 4	
	Color	Auto		
		Color temp		5000K
				6500K
				9300K
				User
			Reset	
Display	Auto Adjust			
	Phase		0 to 100	
	Clock		0 to 100	
	Display Position			
	Display Modes			Gamma off
				Gamma 2.2
System	Input	Display Port		
		VGA		
		HDMI		
		autoscan		
	OSD Setting	Timer		10sec/30sec/60sec
		Rotation		0°/90°/180°/270°
		Position		
		Transparency		0 to 100
	Information			
	Reset			

Table 4-1: OSD Menu Structure

DM-F Series Monitor

4.2 Using the OSD

OSD menu options are described below.

4.2.1 Image Menu

Image menu features are shown in **Figure 4-2**.

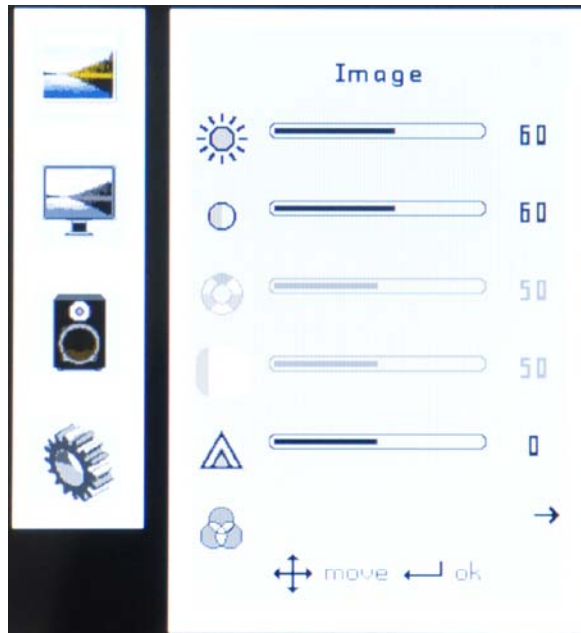


Figure 4-2: Image Menu

Brightness

The brightness option adjusts the brightness of screen. This function adjusts the offset value of ADC. Setting this value too high or too low will affect the quality of image.

Contrast

This function adjusts the gain value of ADC. Adjusting this value too high or too low will worsen the quality of image.

Sharpness

Adjusts the sharpness level. This option softens the edges around objects on the screen.

Color

Provides options for color settings. (**Figure 4-3**)

4.2.1.1 Color Setting

Color settings are shown in **Figure 4-2**.

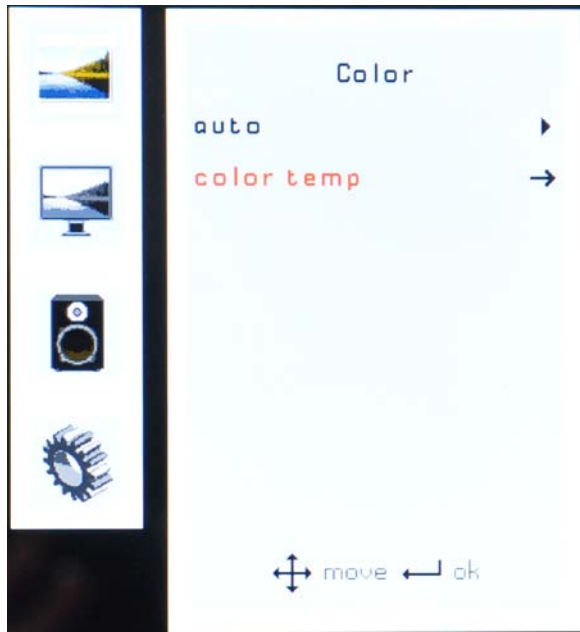


Figure 4-3: Color Settings

- auto** Automatically adjusts the color settings.
- Color temp** This item allows adjustment of the following items.
- **5000k** – NTSC standard Kelvin
 - **6500k** – NTSC standard Kelvin
 - **9300k** – NTSC standard Kelvin
 - **User** – This item allows fine-tuning the balance among Red, Green, and Blue color hues if images look garish or unrealistic.

4.2.2 Display Menu

Display menu features are shown in **Figure 4-4**.

DM-F Series Monitor

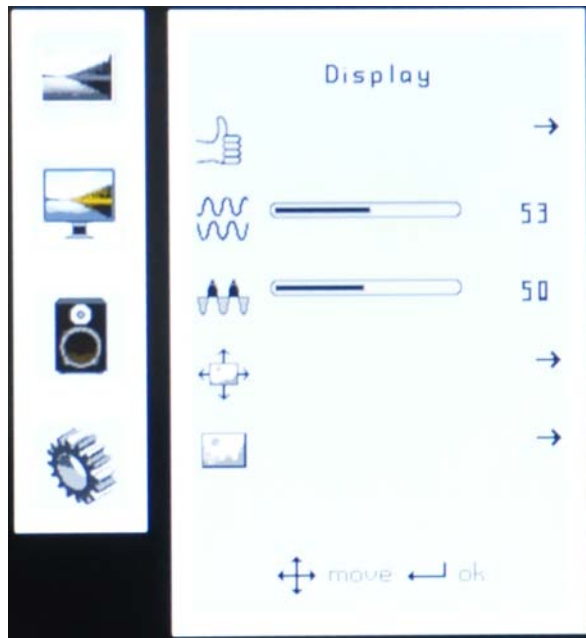


Figure 4-4: Display Menu

- Auto Adjust** Automatically adjusts the LCD screen position.
- Phase** Adjusts the input signal (Analog only)
- Clock** Adjusts the dot clock position
- Display Position** Adjusts the horizontal and vertical position of the display screen
- Display Mode** This item allows adjustment of the Gamma.

4.2.3 System Menu

System menu features are shown in **Figure 4-5**.



Figure 4-5: System Menu

- Input** Allows selection of input device to use. (Figure 4-6)
- OSD Settings** Provides options for OSD configuration. (Figure 4-7)
- Information** Provides information on the LCD monitor, such as firmware version, release date and input resolution.
- Reset** Restores the default OSD settings. Note that this will restore all default display settings.

4.2.3.1 Input

Input options are shown in **Figure 4-6**.

DM-F Series Monitor

**Figure 4-6: Input Options**

Input options are described below.

- | | |
|---------------------|--|
| Display Port | This item sets the input device to display port. |
| VGA | This item sets the input device to VGA. |
| HDMI | This item sets the input device to HDMI. |
| autoscan | Selects the input device to use automatically. |

4.2.3.2 OSD Settings

The OSD settings are shown in **Figure 4-7**.



Figure 4-7: OSD Settings Menu

OSD settings are described below.

- | | |
|---------------------|--|
| Timer | Determines how many seconds the OSD screen stays on screen before it disappears when OSD is left unattended. |
| Rotation | Adjusts the OSD rotation angle on the screen. |
| Position | Adjusts the OSD position on the screen. |
| Transparency | Adjust the transparency of the OSD menu background. |

Chapter

5

Software Drivers

5.1 Introduction

The touch panel controller enables analog resistive touch panels for four-wire, five-wire & eight-wire models. The controller directly communicates with the PC system through the touch panel communications interface. The controller design is superior in sensitivity, accuracy, and friendly operation. The touch panel driver emulates the left mouse button and the right mouse button functions.

The touch panel driver supports the following operating systems:

- Microsoft® Windows® versions:
 - Microsoft® Windows® 2000
 - Microsoft® Windows® XP
 - Microsoft® Windows® 2003
 - Microsoft® Windows® 2008
 - Microsoft® Windows® Vista
 - Microsoft® Windows® 7
 - Microsoft® Windows® 8
- Microsoft® Windows® CE versions:
 - Microsoft® Windows® CE 4.2
 - Microsoft® Windows® CE 5.0
 - Microsoft® Windows® CE 6.0
- Linux Kernel 2.6
- DOS

Driver installation is described below.

5.2 RS-232 or USB Touch Screen

Before installing the driver, connect the DM-F series monitor to the motherboard. The DM-F series monitors support touch screen modality through an RS-232 or USB interface connection. Decide through which interface the touch screen is to be controlled.



NOTE:

DM-F Series Monitor

The default touch screen interface for the DM-F series monitor is USB interface.

The RS-232 interface is only reserved for resistive touch ATO

- **RS-232 Interface:** If the touch screen interface connection is an RS-232 connection, connect the RS-232 connector on the single board computer to the DB-9 connector of the DM-F series monitor.
- **USB Interface:** If the touch screen interface connection is a USB connection, connect the USB connector on the single board computer to the external USB port connector of the DM-F series monitor.

5.3 Touch Panel Driver Installation



WARNING:

Before the touch screen driver is installed, make sure the system is connected to the monitor with a USB cable or an RS-232 null cable. Also, make sure the VGA connector on the system is connected to the VGA connector on the bottom of the monitor.

To install the touch panel driver for the DM-F series, please follow the instructions below:

Step 1: **Connect the DM-F series monitor to the single board computer.** See above.

Step 2: **Install the driver CD.** Install the driver CD into the system to which the DM-F series monitor is connected.

Step 3: Select the **Touch Screen** option in the menu of driver CD. The directory in **Figure 5-1** appears.

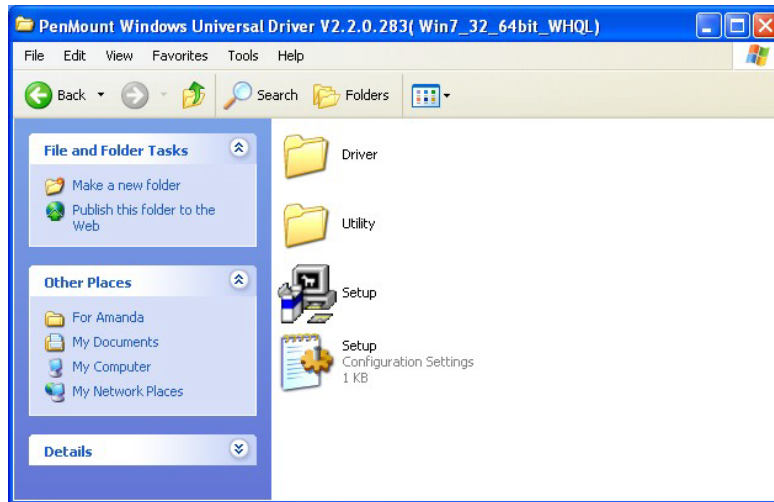


Figure 5-1: Setup Icon

Step 4: Double click the setup icon in **Figure 5-1**.

Step 5: The Welcome screen in **Figure 5-2** appears.

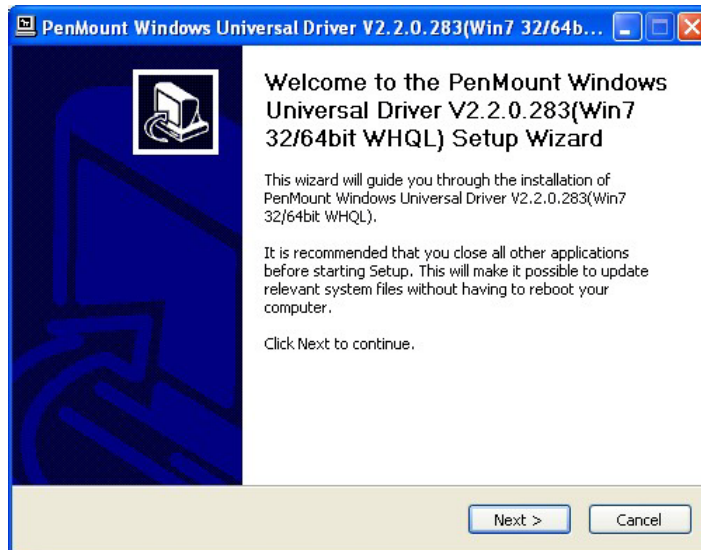


Figure 5-2: Welcome Screen

Step 6: Click **Next** to continue.

Step 7: The license agreement in **Figure 5-3** appears. Accept the terms of the agreement by clicking **I Agree**.

DM-F Series Monitor

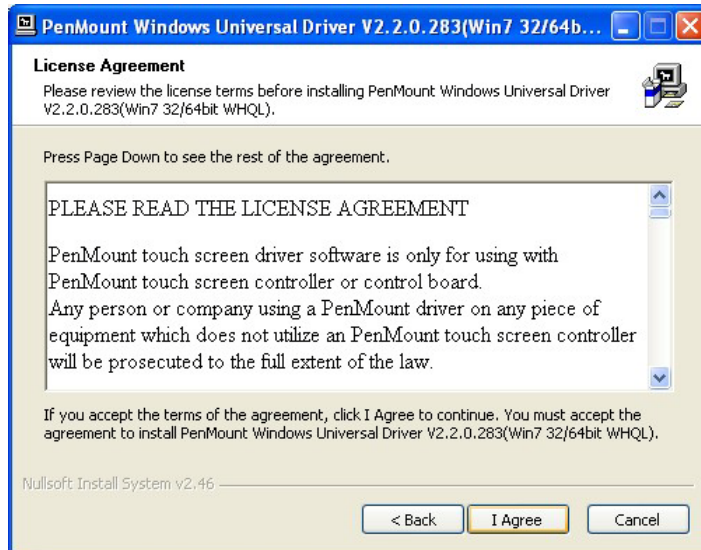


Figure 5-3: License Agreement

Step 8: The installation destination screen appears. See **Figure 5-4**. Click **Install**.

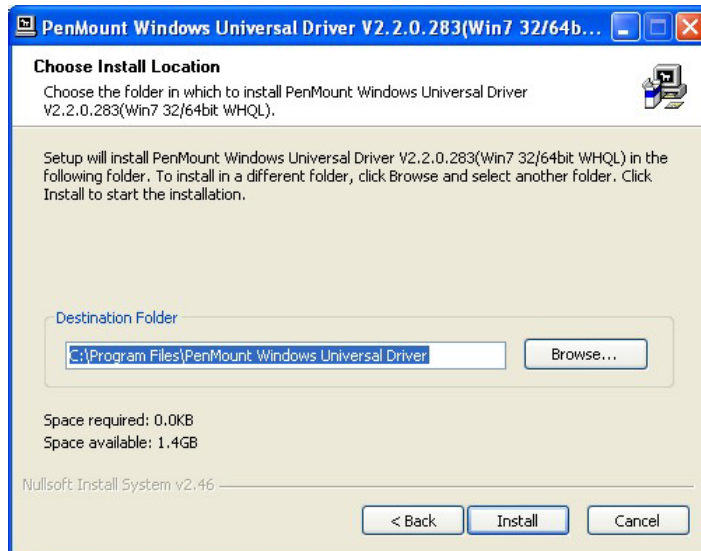


Figure 5-4: Initiate Install

Step 9: The installation of the program begins. See **Figure 5-5**.

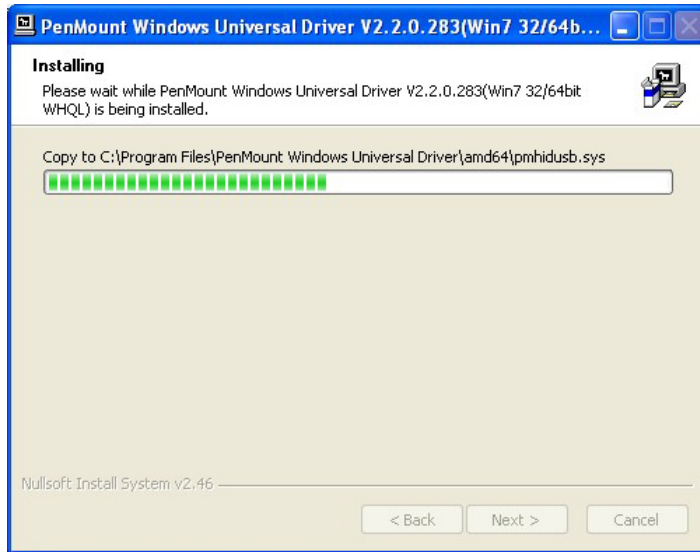


Figure 5-5: Installation Starts

Step 10: When the installation is complete, the complete screen appears. See Figure 5-6.

To complete the installation process click **Finish**.

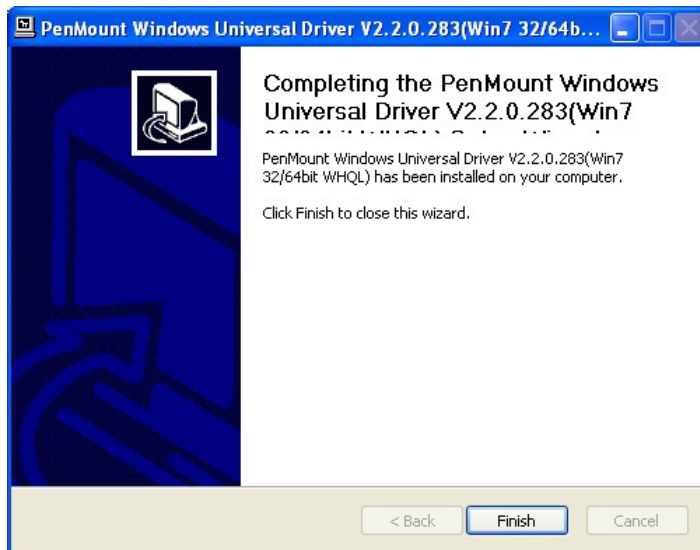


Figure 5-6: Finish Installation

DM-F Series Monitor

5.4 Change the Touch Screen Interface

If the touch screen interface must be changed from an RS-232 interface to a USB interface or, from a USB interface to an RS-232 interface, the following steps must be followed.

Step 1: Uninstall the touch screen driver

Step 2: Remove the interface cable i.e. remove the RS-232 cable or the USB cable

Step 3: Install the new cable i.e. install the USB cable or the RS-232 cable.

Step 4: Reinstall the driver CD as described above.

5.5 Calibrating the Touch Screen

To calibrate the touch screen cursor with the motion of the touch screen pen (or finger), please follow the steps below:

Step 1: Make sure the system is properly connected through an RS-232 or a USB interface to the DM-F series monitor.

Step 2: Make sure the touch screen driver is properly installed.

Step 3: Locate the PenMount Monitor icon in the bottom left corner of the screen.



Figure 5-7: PenMount Monitor Icon

Step 4: Click the icon. A pop up menu appears. See **Figure 5-8**.

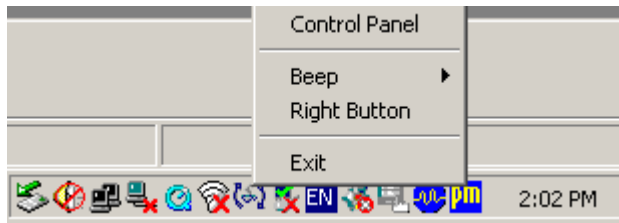


Figure 5-8: PenMount Monitor Popup Menu

Step 5: Click Control Panel in the pop up menu shown in **Figure 5-8**.

Step 6: The configuration screen in **Figure 5-9** appears.

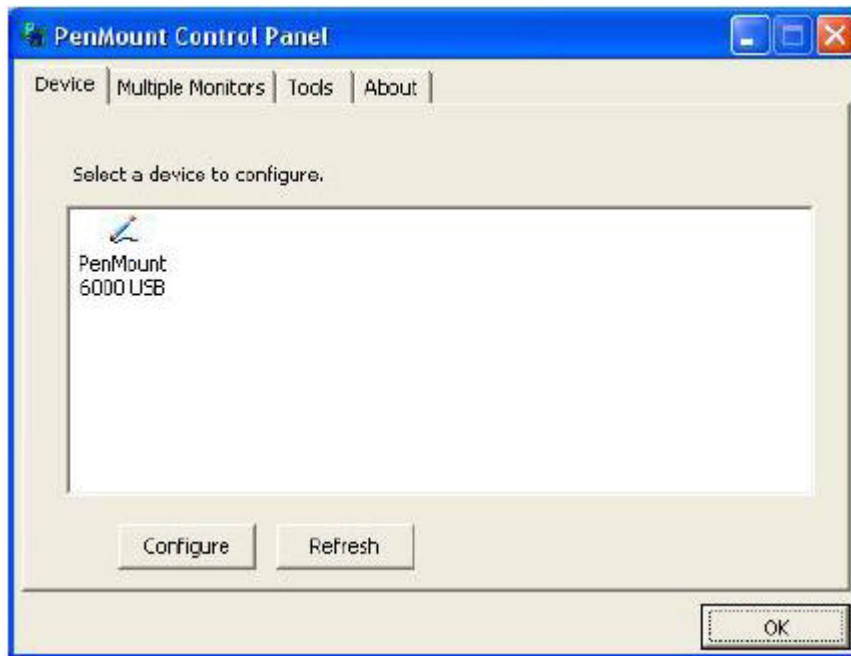


Figure 5-9: Configuration Screen

Step 7: Double click the PenMount 6000 icon as shown in **Figure 5-9**.

Step 8: The calibration initiation screen in **Figure 5-10** appears.

Step 9: Select the Standard Calibration button as shown in **Figure 5-10**.

DM-F Series Monitor

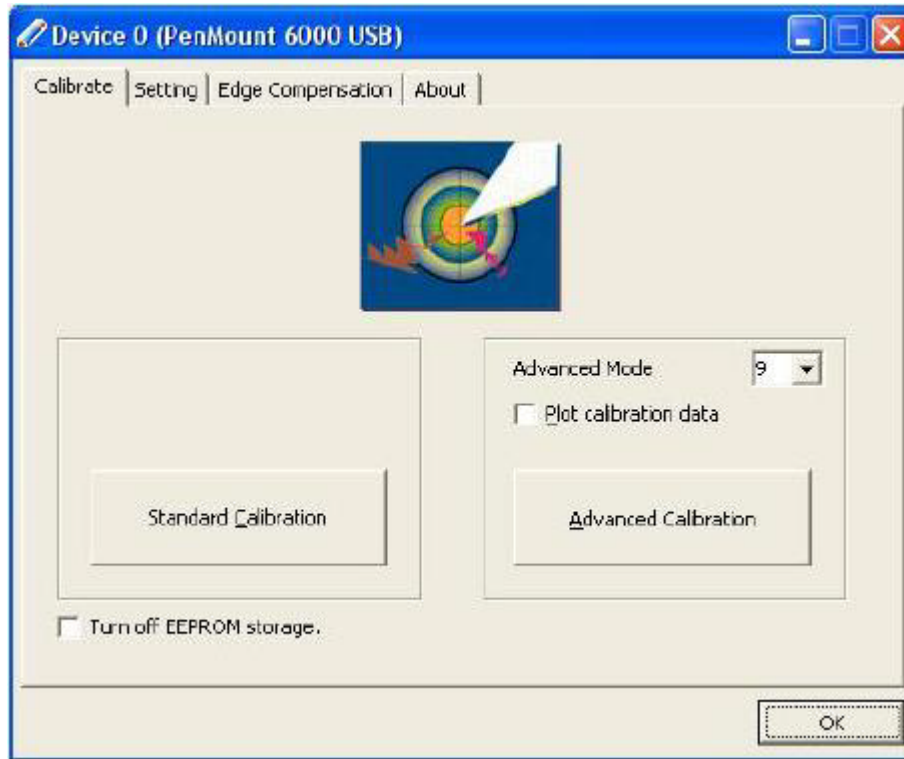


Figure 5-10: Calibration Initiation Screen

Step 10: The calibration screen in is shown. See **Figure 5-11**.



Touch the red square.

Figure 5-11: Calibration Screen

Step 11: Follow the instructions. The user is asked touch the screen at five specified points after which the screen is calibrated.

Appendix

A

Safety Precautions

**WARNING:**

The precautions outlined in this chapter should be strictly followed. Failure to follow these precautions may result in permanent damage to the DM-F Series.

A.1 Safety Precautions

Please follow the safety precautions outlined in the sections that follow:

A.1.1 General Safety Precautions

Please ensure the following safety precautions are adhered to at all times.

- **Follow the electrostatic precautions** outlined below whenever the DM-F Series is opened.
- **Make sure the power is turned off and the power cord is disconnected** whenever the DM-F Series is being installed, moved or modified.
- **Do not apply voltage levels that exceed the specified voltage range.** Doing so may cause fire and/or an electrical shock.
- **Electric shocks can occur** if the DM-F Series chassis is opened when the DM-F Series is running.
- **Do not drop or insert any objects** into the ventilation openings of the DM-F Series.
- **If considerable amounts of dust, water, or fluids enter the** DM-F Series, turn off the power supply immediately, unplug the power cord, and contact the DM-F Series vendor.
- **DO NOT:**
 - Drop the DM-F Series against a hard surface.
 - Strike or exert excessive force onto the LCD panel.
 - Touch any of the LCD panels with a sharp object
 - In a site where the ambient temperature exceeds the rated temperature

A.1.2 Anti-static Precautions



WARNING:

Failure to take ESD precautions during the installation of the DM-F Series may result in permanent damage to the DM-F Series and severe injury to the user.

Electrostatic discharge (ESD) can cause serious damage to electronic components, including the DM-F Series. Dry climates are especially susceptible to ESD. It is therefore critical that whenever the DM-F Series is opened and any of the electrical components are handled, the following anti-static precautions are strictly adhered to.

- ***Wear an anti-static wristband:*** Wearing a simple anti-static wristband can help to prevent ESD from damaging any electrical component.
- ***Self-grounding:*** Before handling any electrical component, touch any grounded conducting material. During the time the electrical component is handled, frequently touch any conducting materials that are connected to the ground.
- ***Use an anti-static pad:*** When configuring or working with an electrical component, place it on an anti-static pad. This reduces the possibility of ESD damage.
- ***Only handle the edges of the electrical component:*** When handling the electrical component, hold the electrical component by its edges.

A.2 Maintenance and Cleaning Precautions

When maintaining or cleaning the DM-F Series, please follow the guidelines below.

A.2.1 Maintenance and Cleaning

Prior to cleaning any part or component of the DM-F Series, please read the details below.

- Except for the LCD panel, never spray or squirt liquids directly onto any other components. To clean the LCD panel, gently wipe it with a piece of soft dry cloth or a slightly moistened cloth.

DM-F Series Monitor

- The interior of the DM-F Series does not require cleaning. Keep fluids away from the DM-F Series interior.
- Be cautious of all small removable components when vacuuming the DM-F Series.
- Turn the DM-F Series off before cleaning the DM-F Series.
- Never drop any objects or liquids through the openings of the DM-F Series.
- Be cautious of any possible allergic reactions to solvents or chemicals used when cleaning the DM-F Series.
- Avoid eating, drinking and smoking within vicinity of the DM-F Series.

A.2.2 Cleaning Tools

Some components in the DM-F Series may only be cleaned using a product specifically designed for the purpose. In such case, the product will be explicitly mentioned in the cleaning tips. Below is a list of items to use when cleaning the DM-F Series.

- Cloth – Although paper towels or tissues can be used, a soft, clean piece of cloth is recommended when cleaning the DM-F Series.
- Water or rubbing alcohol – A cloth moistened with water or rubbing alcohol can be used to clean the DM-F Series.
- Using solvents – The use of solvents is not recommended when cleaning the DM-F Series as they may damage the plastic parts.
- Vacuum cleaner – Using a vacuum specifically designed for computers is one of the best methods of cleaning the DM-F Series. Dust and dirt can restrict the airflow in the DM-F Series and cause its circuitry to corrode.
- Cotton swabs - Cotton swabs moistened with rubbing alcohol or water are excellent tools for wiping hard to reach areas.
- Foam swabs - Whenever possible, it is best to use lint free swabs such as foam swabs for cleaning.

Appendix

B

Certifications

DM-F Series Monitor

B.1 RoHS Compliant

All models in the DM-F LCD monitor series comply with the Restriction of Hazardous Materials (RoHS) Directive. This means that all components used to build the industrial workstations and the workstation itself are RoHS compliant.

The RoHS Directive bans the placing on the EU market of new electrical and electronic equipment containing more than agreed levels of lead, cadmium, mercury, hexavalent chromium, polybrominated biphenyl (PBB) and polybrominated diphenyl ether (PBDE) flame retardants.

B.2 IP 65 Compliant Front Panel

The front panels on all five models in the DM-F series LCD monitors have an ingress protection rating (IP) of 65, IP65. The front panels are protected from dust particles and water spray.

Appendix

C

smartOSD

DM-F Series Monitor

C.1 IEI smartOSD Quick Installation Guide

IEI smartOSD is a proprietary On-Screen-Display (OSD) software solution from IEI that enables easy, remote monitor setting adjustments in a Windows environment. IEI smartOSD delivers excellent performance and provides more flexibility than the typical OSD hardware solutions when adjusting a monitor. smartOSD also allows monitor settings such as brightness, contrast, screen position, size, color gain to be read and changed over normal video cable (VGA or HDMI).

C.2 Pre-installation Notice

Before installing smartOSD software, please make sure one of the following operating systems is installed:

- Windows 95
- Windows NT 4.0
- Windows 98
- Windows 2000
- Windows 2003
- Windows XP
- Windows Vista
- Windows 7

C.3 smartOSD Install

Connect the DM-F series to a host computer. Insert the CD that came with the system and follow the instructions below.

Step 1: Insert the CD into a CD drive connected to the system.

Step 2: Locate the setup file and double click on it.

Step 3: The welcome screen shown in Figure C-1 appears.

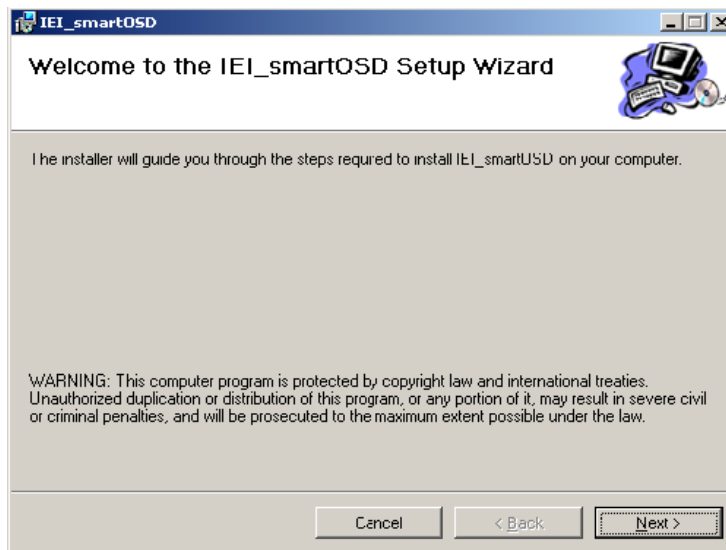


Figure C-1: smartOSD Welcome Screen

Step 4: Click **Next** to continue.

Step 5: The Folder Select screen in **Figure C-2** appears.

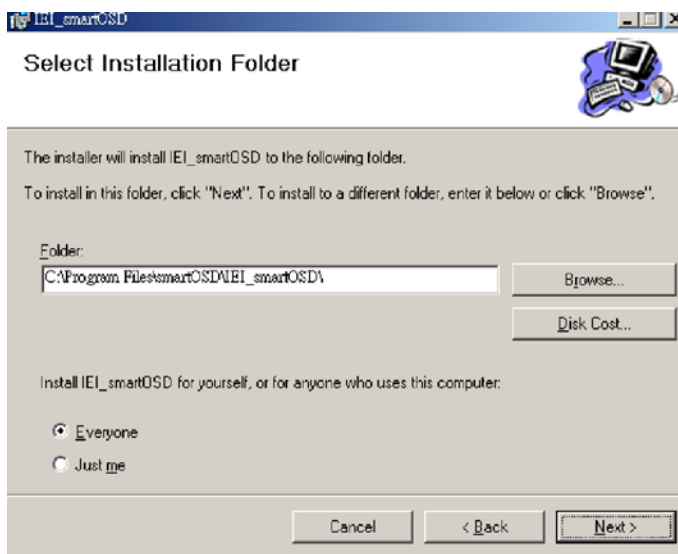


Figure C-2: smartOSD Folder Select Screen

Step 6: Select the installation folder in Figure C-2 shown above.

Step 7: Click **Next** to continue.

Step 8: The screen in Figure C-3 appears.

DM-F Series Monitor

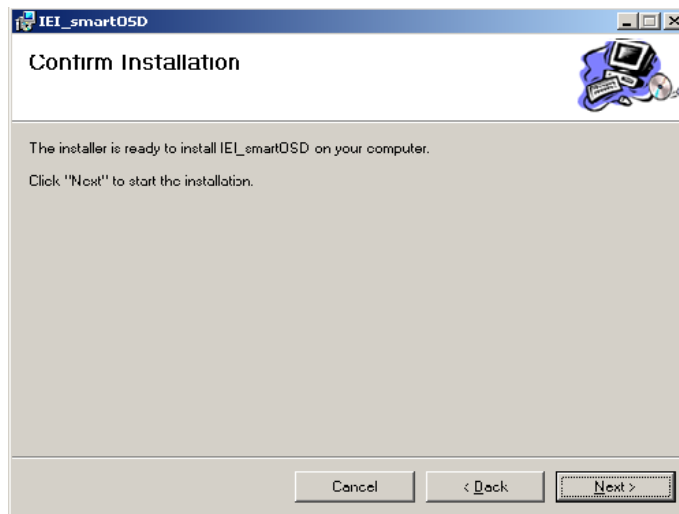


Figure C-3: smartOSD Confirm Installation

Step 9: Confirm the installation by clicking **Next** in the screen above.

Step 10: The program starts to install and the progress bar shown in Figure C-4 appears.

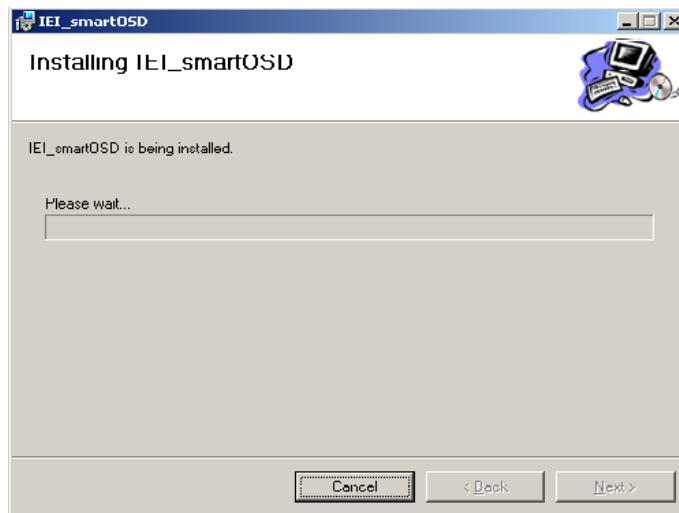


Figure C-4: smartOSD Installation Progress

Step 11: When the installation is complete the "Complete Installation" screen in

Figure C-5 appears.

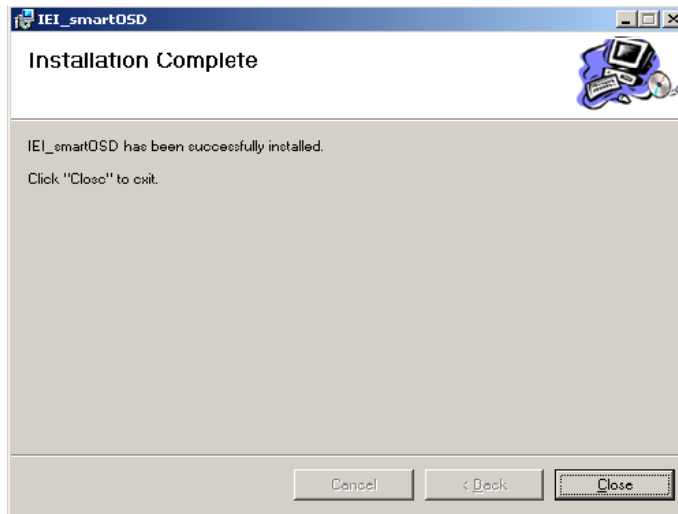
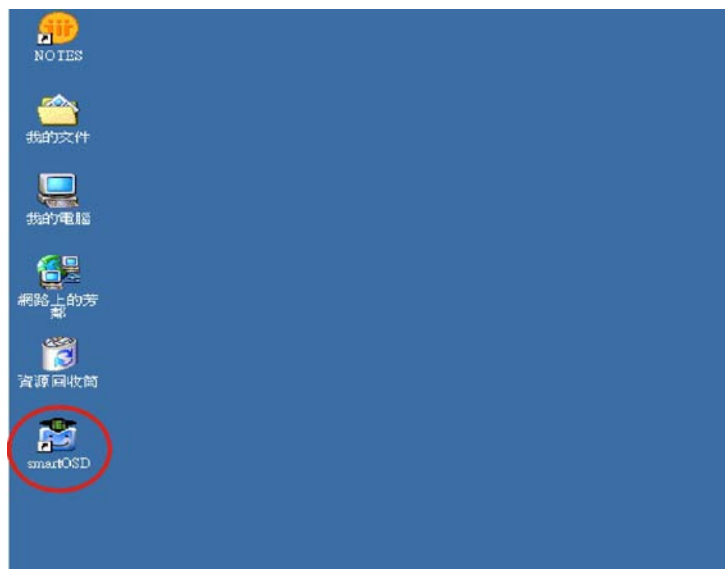


Figure C-5: smartOSD Installation Complete

Step 12: Click **Close** in the screen above.

Step 13: After quick setup is complete, the IEI smartOSD wizard logo appears on the desktop as shown in the screen below.

Step 14: To access the smartOSD, click the smartOSD wizard logo.



C.4 Software Illustration

The table below shows the smartOSD menu structure for all IEI LCD monitors.

DM-F Series Monitor



NOTE:

To update the display setting status immediately, push the refresh button on every page

To turn the system on, press ALT + P.

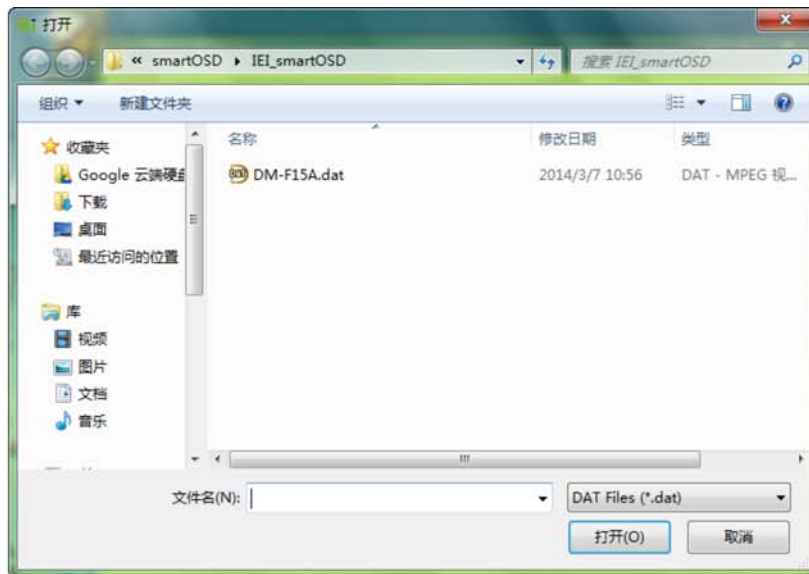
Item	Elements
Management	Save/Load File
	Power Management
EDID	EDID contains basic information about the monitor and its capabilities.
Image	Brightness
	Contrast
	Sharpness
Display	Auto Adjust
	Phase
	Clock
Color	Auto Color
	User Red Gain
	User Green Gain
	User Blue Gain
	Color Temperature
	Gamma (disabled in the DM-F Series)
PIP	PIP (disabled in the DM-F Series)
	PIP Source Input (disabled in the DM-F Series)
	PIP Size (disabled in the DM-F Series)
System	Monitor Power Control

	Auto Brightness (disabled in the DM-F Series)
	Main Source Input (YPbPr, S-Video and CVBS disabled)
	Volume (disabled in the DM-F Series)
	Factory Presets/OSD Lock/OSD Unlock
	Mute (disabled in the DM-F Series)

Table C-1: SmartOSD Menu Structure

DM-F Series Monitor

C.4.1 Manage Page



Save the preferred settings of all the OSD functions as .dat files and load the settings.

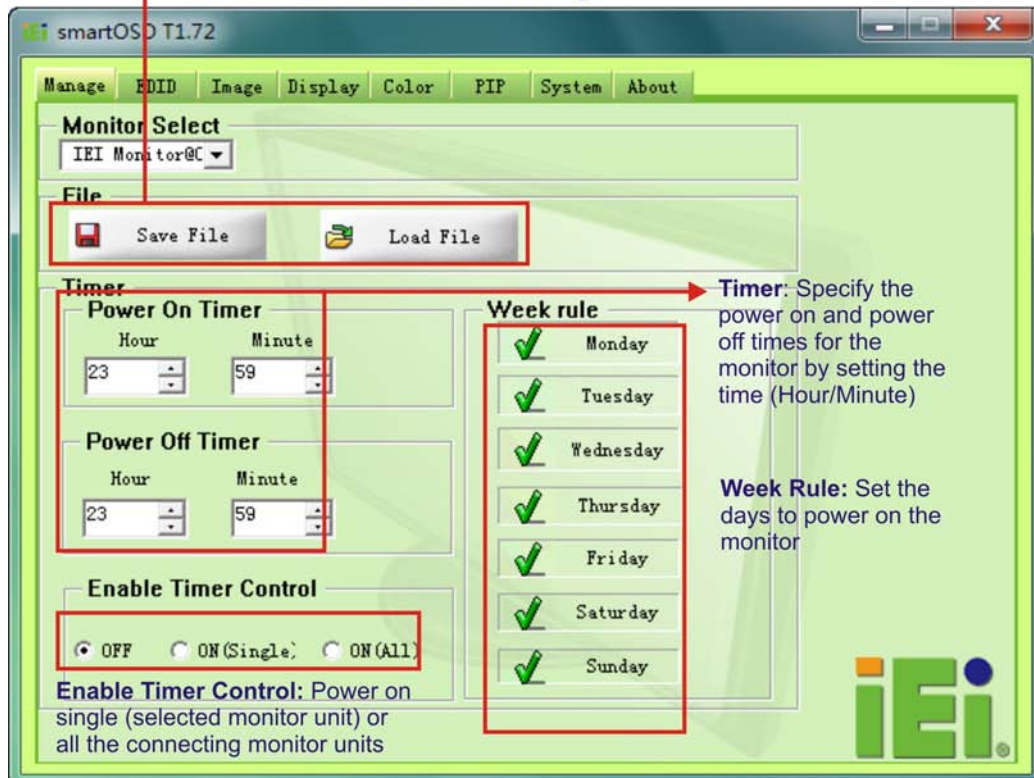


Figure C-6: Manage Page

C.4.2 EDID Page

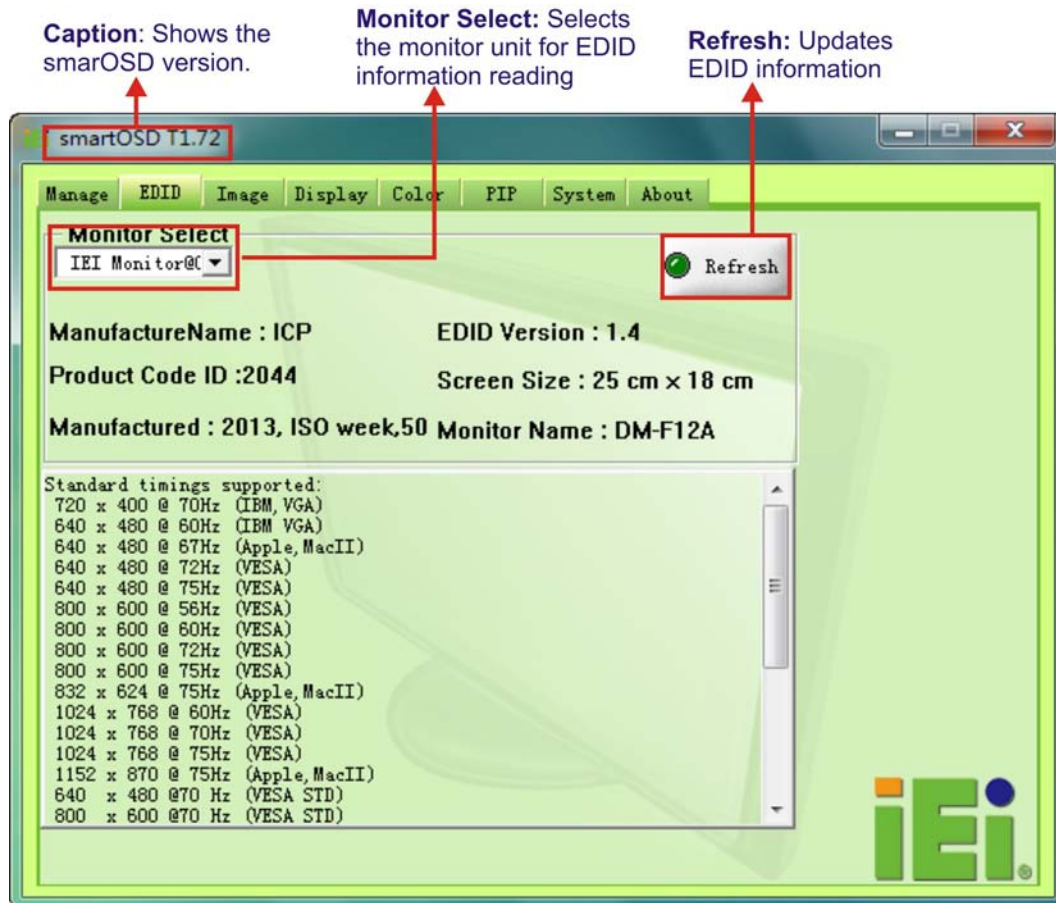


Figure C-7: EDID Page

DM-F Series Monitor

C.4.3 Image Page

Monitor Select: Selects the monitor unit for which the image parameters will be adjusted

Refresh: To update image information which has been affected by the hardware OSD settings

Apply All: Delivering the image parameters settings to all the connecting monitors

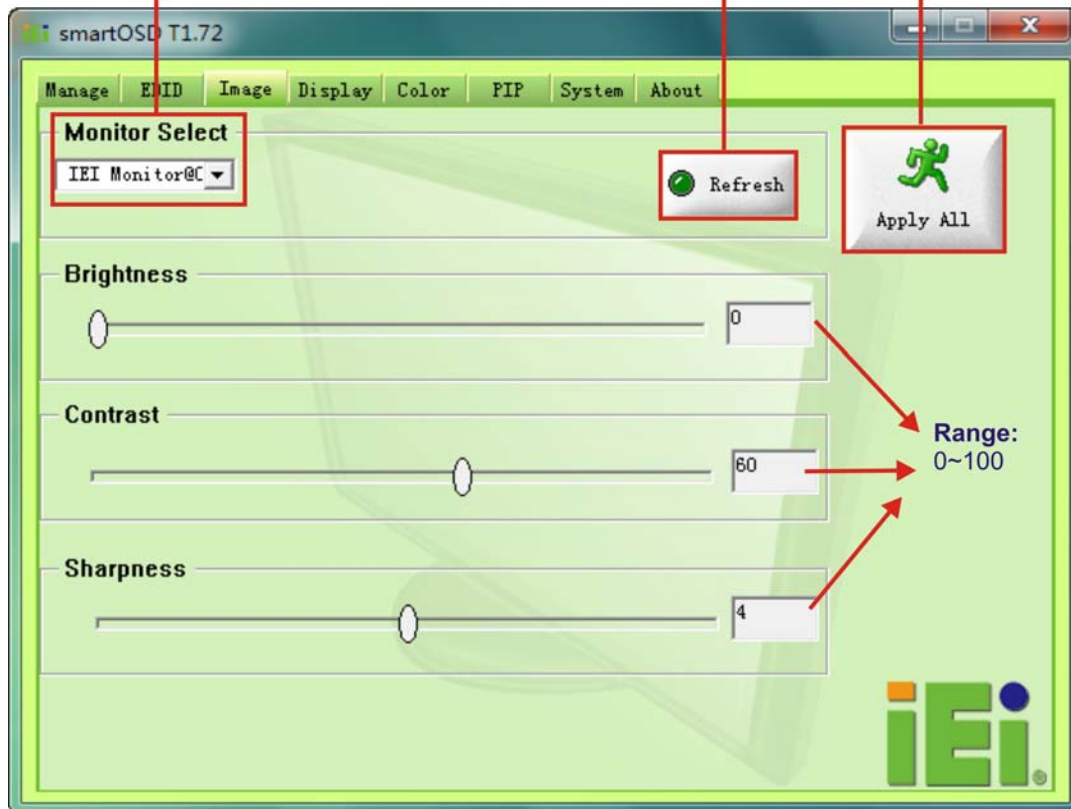


Figure C-8: Image Page

C.4.4 Display Page (for analog signal)

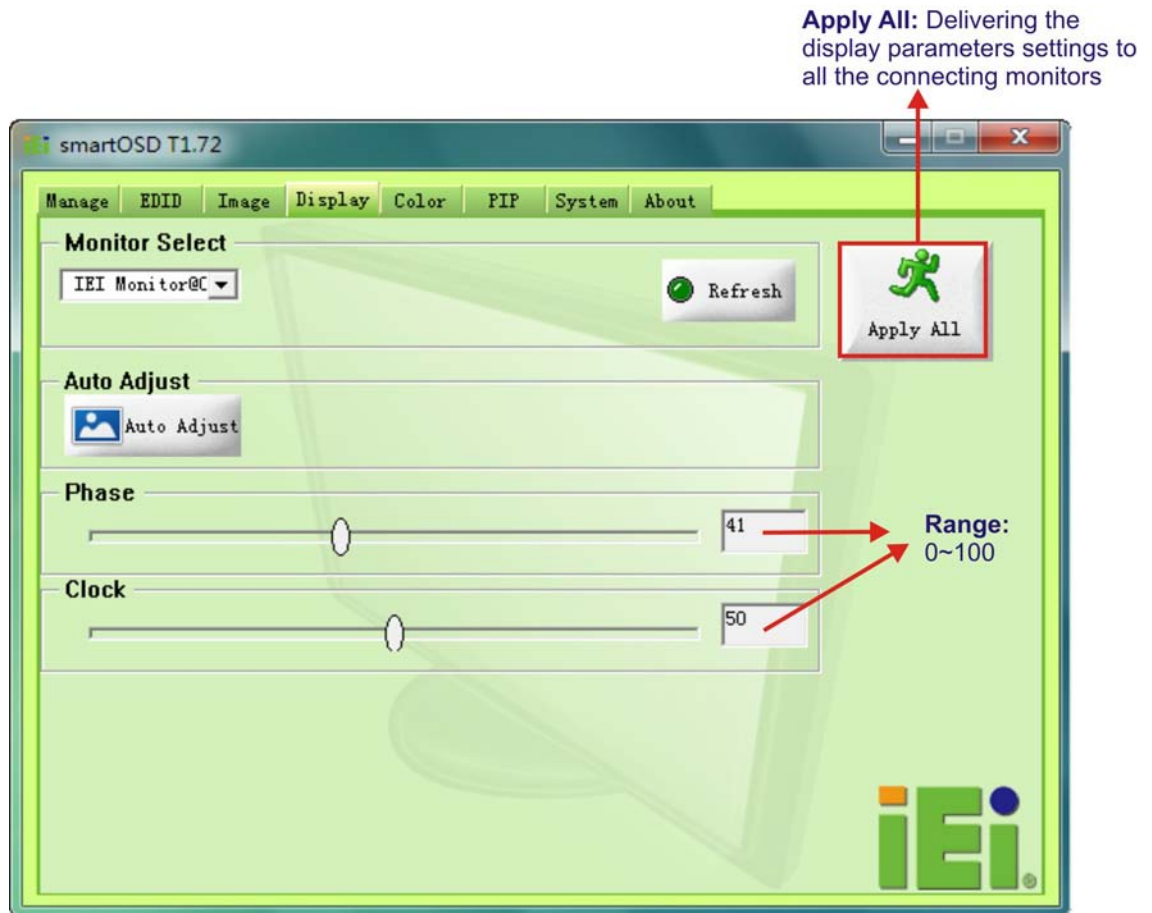


Figure C-9: Display Page

DM-F Series Monitor

C.4.5 Color Page

Monitor Select: Selects the monitor unit for which the image parameters will be adjusted

Refresh: To update image information which has been affected by the color OSD settings

Apply All: Delivering the color parameters settings to all the connecting monitors

Auto Color: For analog (VGA) signal to adjust white balance

Range: 0~100 (Values can only be adjusted if user is selected for the Color Temperature)

Figure C-10: Color Page

C.4.6 PIP Page



NOTE:

The functions in the PIP page are only available in the MLCD-KIT Series and AFOLUX Series monitors.



Figure C-11: PIP Page

DM-F Series Monitor

C.4.7 System Page

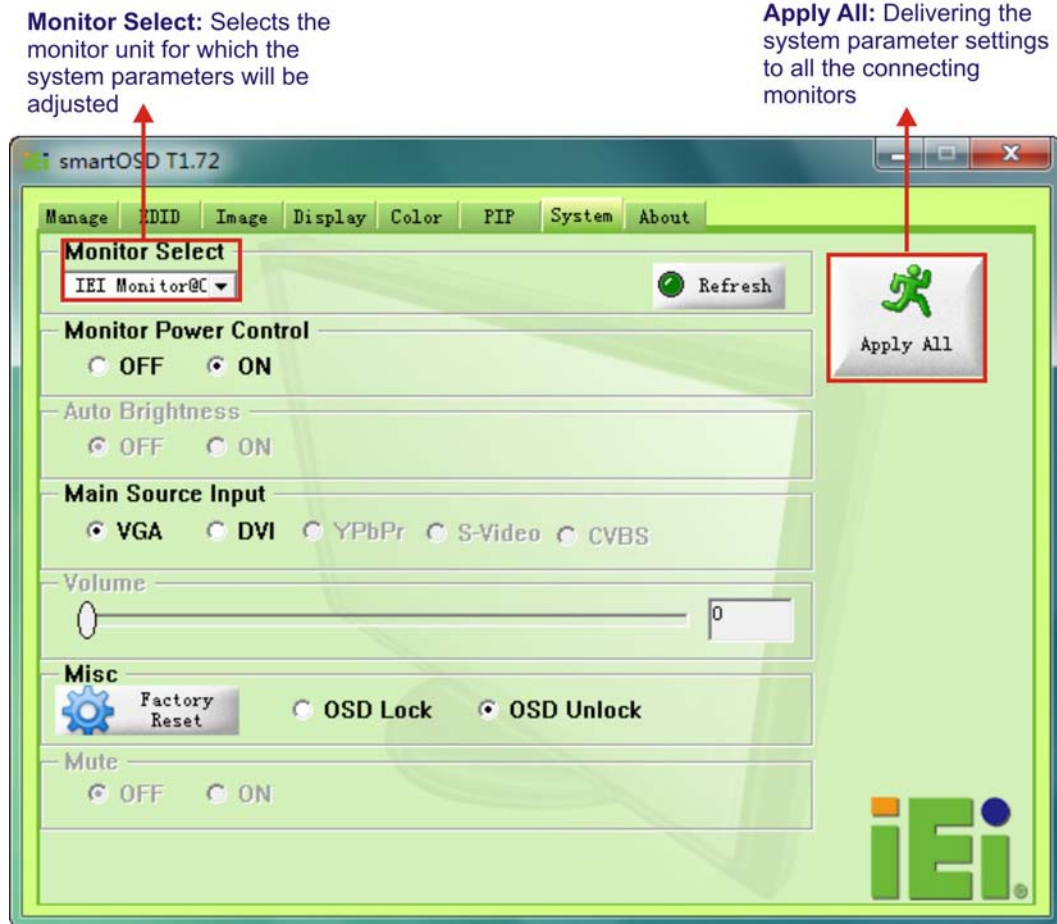


Figure C-12: System Page



NOTE:

Some of the functions in the System Page are only available to some of the IEI LCD series as following:

- Auto Brightness: SRM, MLCD-KIT and AFOLUX series only
- Main Source Input: MLCD-KIT and AFOLUX series only
- Volume: AFOLUX series only
- Mute: AFOLUX series only

C.4.8 About Page



Figure C-13: About Page

DM-F Series Monitor

C.5 smartOSD FAQ

For troubleshooting, please see the steps below:

C.5.1 Windows 2000 Installation Failure

Installation fails under Windows 2000 and shows the following image:

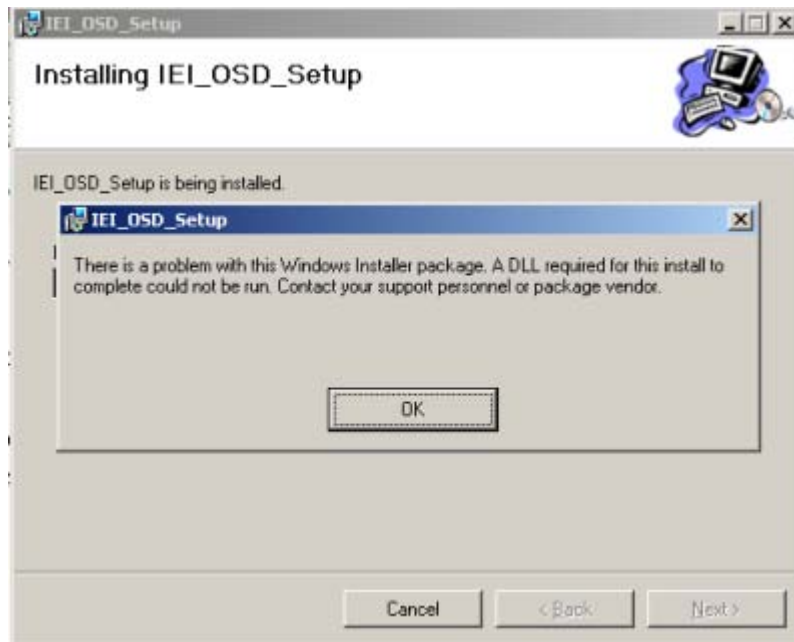


Figure C-14: DLL Missing

Solution: Download and install service pack Windows Installer 3.1

C.5.2 Vista Installation Failure

Installation fail under Vista while showing following image:



Figure C-15: Windows Vista Error

Solution: Install SmartOSD.exe as the administrator authority

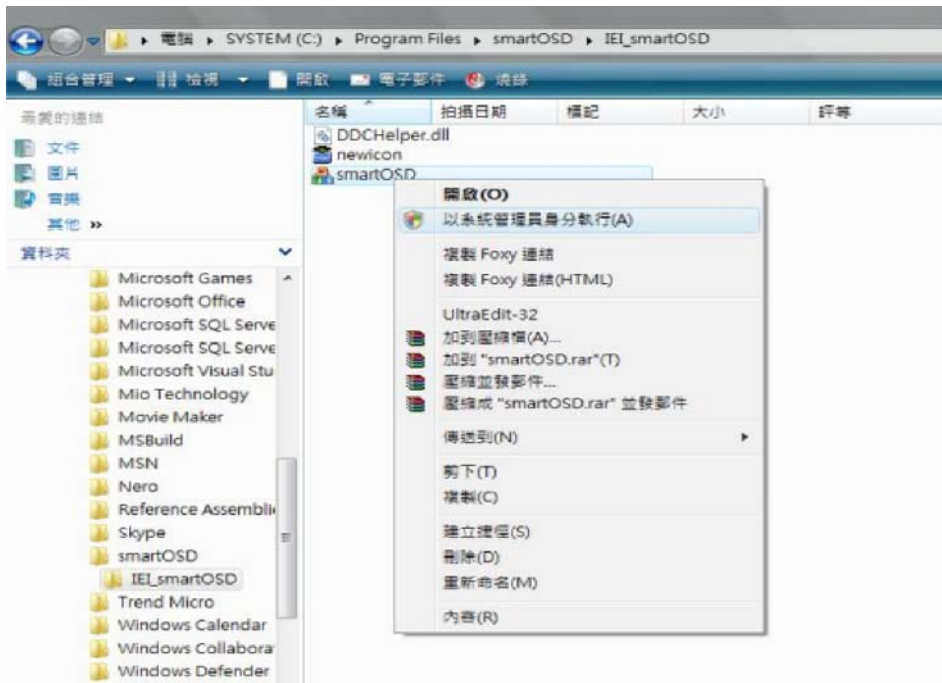


Figure C-16: Install as Administrator

C.5.3 Model Failure

The Model Fail error message shown below appears.



Figure C-17: Firmware Incompatibility

Solution: SmartOSD only supports firmware version 2.0 and following versions.

DM-F Series Monitor

C.5.4 DDC Port Failure

The DDC port fail error message shown below appears.



Figure C-18: DDC Port Failure

Solutions:

- Check VGA or HDMI cable
- Check an IEI monitor is being used
- Make sure the version is version 2.3 for the AFOLUX/MDM series and version 1.5 for the DM/ISDM/TDM/SRM/LCD-KIT series that have the SmartOSD functions
- Check if the OSD control status is busy. A busy signal may cause the signal message for a short time.