

---

# **CANopen Slave Device**

## **CAN-2019C**

### **Application User's Manual**

#### Warranty

All products manufactured by ICP DAS are under warranty regarding defective materials for a period of one year from the date of delivery to the original purchaser.

#### Warning

ICP DAS assumes no liability for damages resulting from the use of this product. ICP DAS reserves the right to change this manual at any time without notice. The information furnished by ICP DAS is believed to be accurate and reliable. However, no responsibility is assumed by ICP DAS for its use, or for any infringements of patents or other rights of third parties resulting from its use.

#### Copyright

Copyright ©2014 is reserved by ICP DAS.

#### Trademark

The names used for identification only may be registered trademarks of their respective companies.

---

## Table of Contents

<b>1.</b>	<b>Introduction .....</b>	<b>3</b>
1.1	Overview .....	3
1.2	Features .....	5
1.3	Hardware Specifications .....	5
1.4	Application .....	7
<b>2.</b>	<b>Hardware.....</b>	<b>8</b>
2.1	Structure.....	8
2.2	Node ID & Baud Rate Rotary Switch.....	9
2.3	LED Description.....	10
2.4	PIN Assignment .....	11
2.5	Wire Connection .....	12
<b>3.</b>	<b>Application.....</b>	<b>13</b>
3.1	Object Dictionary .....	13
3.2	Store and Restore Object.....	18
3.3	Application Object.....	19
3.4	Default PDO Mapping.....	21
3.5	EMCY Communication .....	22
	<b>Appendix: Type Code Definition .....</b>	<b>23</b>

---

# 1. Introduction

## 1.1 Overview

CANopen is one kind of the network protocols based on CAN bus and mainly used for embedded system, such as industrial machine control, vehicle control system, factory automation, medical equipments control, remote data acquisition, environment monitoring and package machines control. The CAN-2019C is a CANopen slave which follows the CiA 301 version 4.02 and CiA 401 version 2.1. This module provides 6 analog input channels, 2 analog output channels, 2 digital input channels and 1 digital output channel. Users can obtain the those data or configure the CAN-2019C via the standard CANopen protocol. In order to be fully compatible with other CANopen devices, the CAN-2019C has passed the validation of the CiA CANopen Conformance Test tool. Therefore, it is very easy to integrate the CAN-2019C with the standard CANopen master by applying the EDS file. Combining with the CANopen masters of ICP DAS, you can quickly build a CANopen network to approach your requirements.



**Figure 1-1 CAN-2019C**

## 1.2 Features

- Standard CANopen general I/O slave devices.
- Provide 10 differential thermocouple input channels
- Support NMT, PDO, SDO, EMCY, SYNC, Guarding, and Heartbeat protocol.
- Pass the validation of the CANopen Conformance Test
- Provide EDS file for the CANopen master interfaces

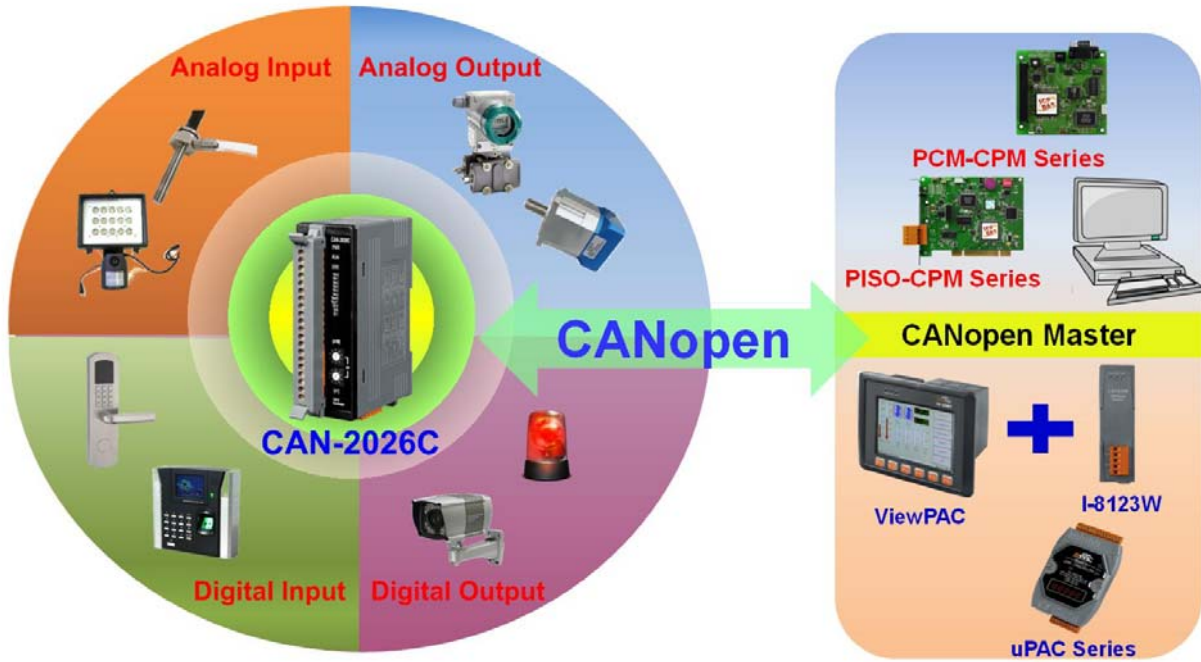
## 1.3 Hardware Specifications

CANopen Interface	
Connector	5-pin screwed terminal block (CAN_GND, CAN_L, CAN_SHLD, CAN_H, CAN_V+)
Baud Rate (bps)	10 k, 20 k, 50 k, 125 k, 250 k, 500 k, 800 k, 1 M, selected by rotary switch
Terminator Resistor	DIP switch for the 120 $\Omega$ terminator resistor
Protocol	CANopen CiA 301 ver4.02, CiA 401 ver2.1
Node ID	1~99 selected by rotary switch
NMT	Slave
Error Control	Node Guarding protocol / Heartbeat Producer
SDOs	1 server, 0 client
PDOs	10 RxPDO, 10 TxPDO (Supports dynamic PDO)
PDO Modes	Event-triggered, remotely-requested, synchronous (cyclic), synchronous (acyclic)
Emergency Message	Yes
EDS file	Yes
Analog Input	
Channels	10 (Differential)
Input Type	Voltage : $\pm 15$ mV, $\pm 50$ mV, $\pm 100$ mV, $\pm 500$ mV, $\pm 1$ V, $\pm 2.5$ V, $\pm 5$ V, $\pm 10$ V Current : $\pm 20$ mA (External resistor is required) Thermocouple : J, K, T, E, R, S, B, N, C
Sampling Rate	10 Hz (Total)
Zero Drift	$\pm 20$ $\mu$ V/ $^{\circ}$ C
Span Drift	$\pm 25$ ppm/ $^{\circ}$ C
Common Mode Rejection	86 dB Min.
Normal Mode Rejection	100 dB
Resolution	16-bit

Input Impedance	>400 kΩ
Individual channel configuration	Yes
Open Thermocouple Detection	Yes
Over voltage protection	240 Vrms
ESD Protection	+/-4kV, Contact for each terminal.
Intra-module Isolation, Field to Logic	3000 VDC
<b>Hardware</b>	
ESD Protection	Contact 4 kV class A
<b>LED</b>	
CANopen Status	3 LEDs to PWR, RUN and ERR
<b>Power</b>	
Power Supply	Unregulated +10 ~ +30 VDC
Power Consumption	1.5 W
<b>Mechanism</b>	
Installation	DIN-Rail
Dimensions	33 mm x 99 mm x 78 mm ( W x L x H )
<b>Environment</b>	
Operating Temp.	-25 ~ 75 °C
Storage Temp.	-30 ~ 80 °C
Humidity	10 ~ 90% RH, non-condensing

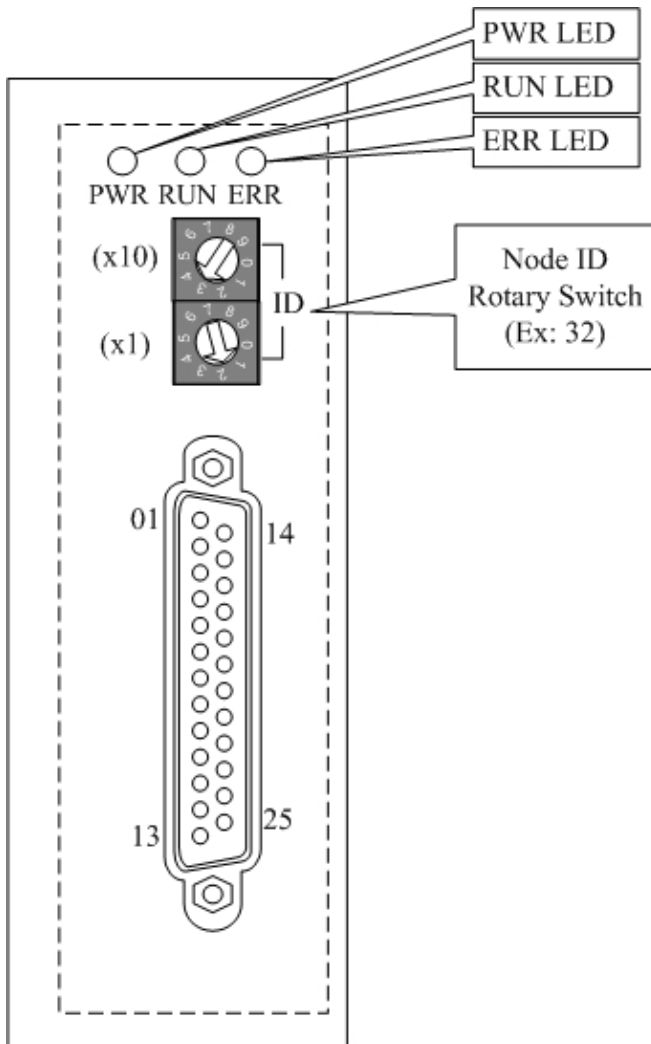
## 1.4 Application

- Measuring Temperature
- Medical technology
- Utility vehicles

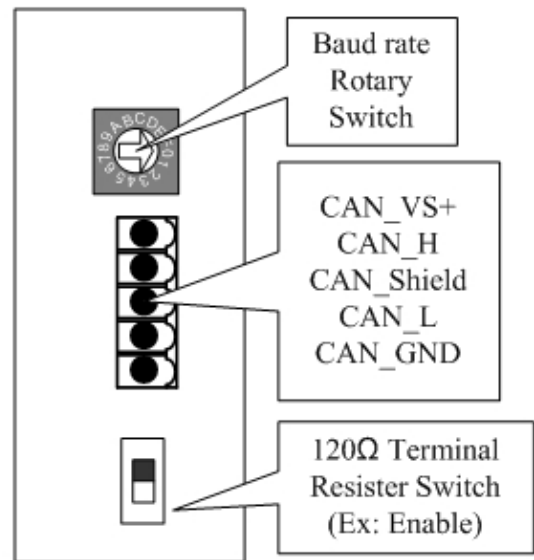


## 2. Hardware

### 2.1 Structure



(Top View)

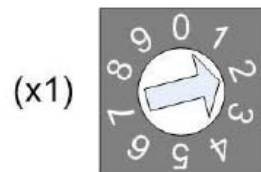
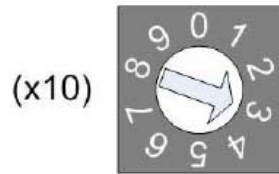


(Bottom View)



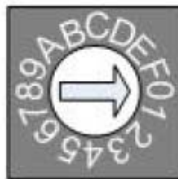
## 2.2 Node ID & Baud Rate Rotary Switch

The rotary switches for node ID configure the node ID of the CAN-2019C module. These two switches are for the tens digit and the units digit of node ID. The node ID value of this demo picture is 32.



**Node ID rotary switch**

The rotary switch for baud rate handles the CAN baud rate of the CAN-2019C module. The relationship between the rotary switch value and the practical baud rate is presented in the following table.



**Baud rate rotary switch**

Rotary Switch Value	Baud rate (k BPS)
0	10
1	20
2	50
3	125
4	250
5	500
6	800
7	1000

**Baud rate and rotary switch**

---

## 2.3 LED Description

### Power LED

The CAN-2019C needs a 10V~30V<sub>DC</sub> power supply. Under a normal connection, a good power supply and a correct voltage selection, as the unit it turned on, the LED will light up in red.

### Run LED

The Run LED indicates the CANopen operation state. The description of the LED state is shown below. About the details, please refer to the section 2.3.1 of the CAN-2000C user manual.

LED Signal	State	Description
No Light	Non-power	Power Supply is not ready
Single Flash	Stopped	The device is in Stopped state
Blinking	Pre-operation	The device is in the pre-operation state
Continuing Light	Operation	The device is in the operational state

### Error LED

The Error LED indicates the CANopen error state. The description of the LED state is shown below. About the details, please refer to the section 2.3.2 of the CAN-2000C user manual.

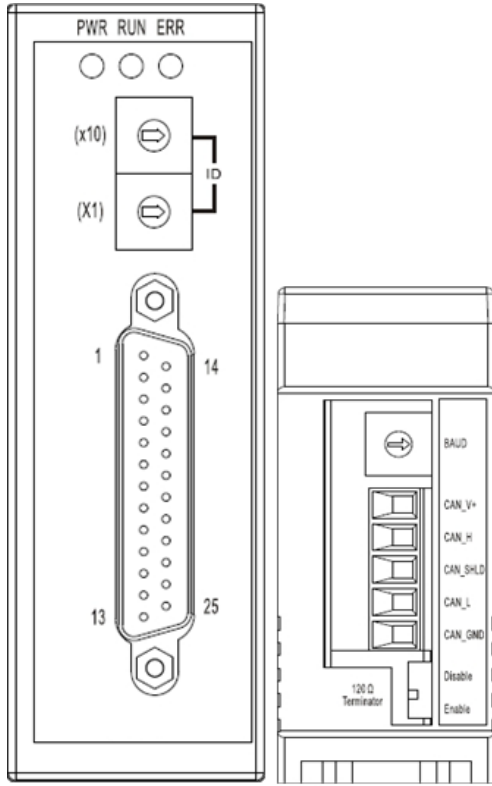
LED Signal	State	Description
No Light	Non error	Device is in working condition
Single Flash	Error Warning	At least one error of the CAN controller has occurred
Blinking	Guarding fail	Guard event happened
Continuing Light	Bus Off	The CAN controller is bus off

### Terminal Resistor LED

When the switch of the 120Ω terminal resistor is turned on, the terminal resistor LED will be lightening.

## 2.4 PIN Assignment

CAN-2019C + DB-1820(transformation connector)

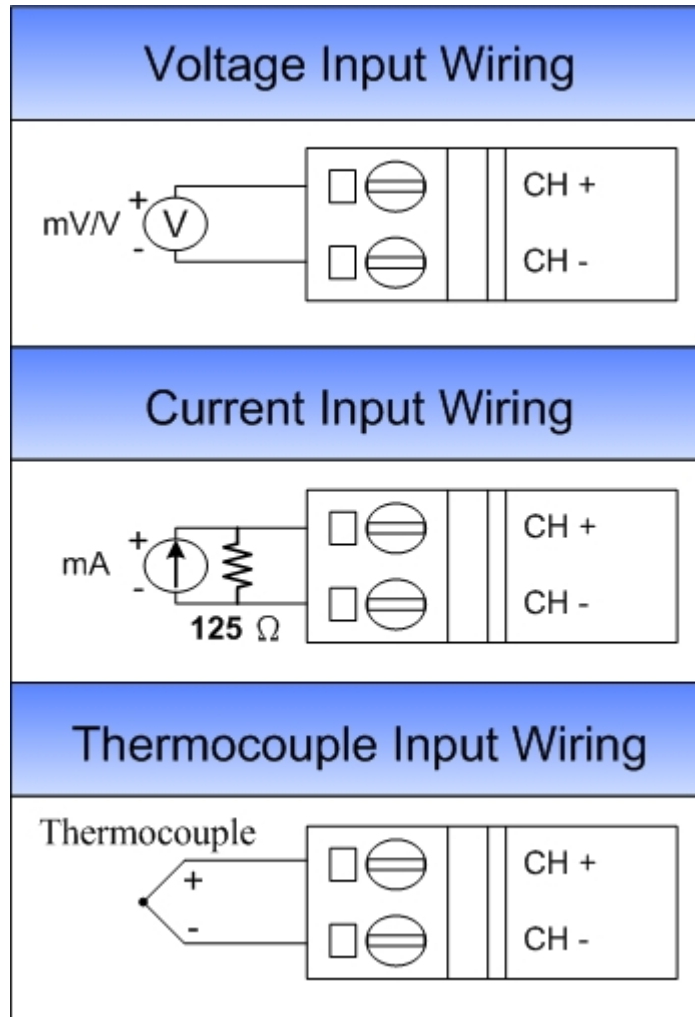


(CAN-2019C)

Pin Assignment Name	Terminal No.	Pin Assignment Name
+5V	01	14
CJC	02	15
CH0-	03	16
CH1-	04	17
CH2-	05	18
CH3-	06	19
CH4-	07	20
CH5-	08	21
CH6-	09	22
CH7-	10	23
CH8-	11	24
CH9-	12	25
AGND	13	
		Shield
		F.G.

(DB-1820)

## 2.5 Wire Connection



## 3. Application

### 3.1 Object Dictionary

#### General Communication Entries

Idx	Sidx	Description	Type	Attr	Default
1000h	0h	device type	UNSIGNED 32	RO	---
1001h	0h	error register	UNSIGNED 8	RO	---
1003h	0h	largest sub-index supported for "predefine error field"	UNSIGNED 8	RO	0h
	1h	actual error (the newest one)	UNSIGNED 32	RO	---
	...	...	...	...	---
	5h	actual error (the oldest one)	UNSIGNED 32	RO	---
1005h	0h	COB-ID of Sync message	UNSIGNED 32	RW	80h
1008h	0h	manufacturer device name	VISIBLE_STRING	RO	
1009h	0h	manufacturer hardware version	VISIBLE_STRING	RO	---
100Ah	0h	manufacturer software version	VISIBLE_STRING	RO	---
100Ch	0h	guard time	UNSIGNED 16	RW	0
100Dh	0h	life time factor	UNSIGNED 8	RW	0
1010h	0h	largest subindex supported	UNSIGNED 8	RO	1
1010h	1h	save all parameters	UNSIGNED 32	RW	0
1011h	0h	largest subindex supported	UNSIGNED 8	RO	1
1011h	1h	restore all default parameters	UNSIGNED 32	RW	0
1014h	0h	COB-ID of EMCY	UNSIGNED 32	RW	80h+Node-ID
1015h	0h	Inhibit time of EMCY	UNSIGNED 16	RW	0
1017h	0h	Heartbeat time	UNSIGNED 16	RW	0
1018h	0h	largest sub-index supported for "identity object"	UNSIGNED 8	RO	4
	1h	vender ID	UNSIGNED 32	RO	0x0000013C
	2h	Produce Code	UNSIGNED 32	RO	0x00002019
	3h	Revision_number	UNSIGNED 32	RO	0x00030001
	4h	Serial_number	UNSIGNED 32	RO	0x6cd3683c

## **SDO Communication Entries**

Idx	Sidx	Description	Type	Attr	Default
1200h	0h	largest sub-index supported for “server SDO parameter”	UNSIGNED 8	RO	2
	1h	COB-ID form client to server (RxSDO)	UNSIGNED 32	RO	600h+Node-ID
	2h	COB-ID form server to client (TxSDO)	UNSIGNED 32	RO	580h+Node-ID

## **RxPDO Communication Entries**

Idx	Sidx	Description	Type	Attr	Default
1400h	0h	Number of entries	UNSIGNED 8	RO	2
	1h	COB-ID used by RxPDO	UNSIGNED 32	RW	200h+Node-ID
	2h	Transmission type	UNSIGNED 8	RW	FFh
1401h	0h	Number of entries	UNSIGNED 8	RO	2
	1h	COB-ID used by RxPDO	UNSIGNED 32	RW	300h+Node-ID
	2h	Transmission type	UNSIGNED 8	RW	FFh
1402h	0h	Number of entries”	UNSIGNED 8	RO	2
	1h	COB-ID used by RxPDO	UNSIGNED 32	RW	400h+Node-ID
	2h	Transmission type	UNSIGNED 8	RW	FFh
1403h	0h	Number of entries	UNSIGNED 8	RO	2
	1h	COB-ID used by RxPDO	UNSIGNED 32	RW	500h+Node-ID
	2h	Transmission type	UNSIGNED 8	RW	FFh
1404h	0h	Number of entries	UNSIGNED 8	RO	2
	1h	COB-ID used by RxPDO	UNSIGNED 32	RW	C0000000h
	2h	Transmission type	UNSIGNED 8	RW	---
...	...	...	...	...	...
1409h	0h	Number of entries	UNSIGNED 8	RO	2
	1h	COB-ID used by RxPDO	UNSIGNED 32	RW	C0000000h
	2h	Transmission type	UNSIGNED 8	RW	---

## **RxPDO Mapping Communication Entries**

Idx	Sidx	Description	Type	Attr	Default
1600h	0h	Number of entries	UNSIGNED 8	RW	0
1601h	0h	Number of entries	UNSIGNED 8	RW	0
1602h	0h	Number of entries	UNSIGNED 8	RW	0
...	...	...	...	...	...
1609h	0h	Number of entries	UNSIGNED 8	RW	0

## **TxPDO Communication Entries**

Idx	Sidx	Description	Type	Attr	Default
1800h	0h	Number of entries	UNSIGNED 8	RO	5
	1h	COB-ID used by TxPDO	UNSIGNED 32	RW	180h+Node-ID
	2h	Transmission type	UNSIGNED 8	RW	FFh
	3h	Inhibit time	UNSIGNED 16	RW	0
	4h	Reversed	---	---	---
	5h	Event timer	UNSIGNED 16	RW	0
1801h	0h	Number of entries	UNSIGNED 8	RO	5
	1h	COB-ID used by TxPDO	UNSIGNED 32	RW	280h+Node-ID
	2h	Transmission type	UNSIGNED 8	RW	FFh
	3h	Inhibit time	UNSIGNED 16	RW	0
	4h	Reversed	---	---	---
	5h	Event timer	UNSIGNED 16	RW	0
1802h	0h	Number of entries	UNSIGNED 8	RO	5
	1h	COB-ID used by TxPDO	UNSIGNED 32	RW	380h+Node-ID
	2h	Transmission type	UNSIGNED 8	RW	FFh
	3h	Inhibit time	UNSIGNED 16	RW	0
	4h	Reversed	---	---	---
	5h	Event timer	UNSIGNED 16	RW	0
1803h	0h	Number of entries	UNSIGNED 8	RO	5
	1h	COB-ID used by TxPDO	UNSIGNED 32	RW	480h+Node-ID
	2h	Transmission type	UNSIGNED 8	RW	FFh
	3h	Inhibit time	UNSIGNED 16	RW	0
	4h	Reversed	---	---	---
	5h	Event timer	UNSIGNED 16	RW	0
1804h	0h	Number of entries	UNSIGNED 8	RO	5
	1h	COB-ID used by TxPDO	UNSIGNED 32	RW	80000000h
	2h	Transmission type	UNSIGNED 8	RW	FFh
	3h	Inhibit time	UNSIGNED 16	RW	0
	4h	Reversed	---	---	---
	5h	Event timer	UNSIGNED 16	RW	0
...	...	...	...	...	...
1809h	0h	Number of entries	UNSIGNED 8	RO	5
	1h	COB-ID used by TxPDO	UNSIGNED 32	RW	80000000h
	2h	Transmission type	UNSIGNED 8	RW	FFh
	3h	Inhibit time	UNSIGNED 16	RW	0
	4h	Reversed	...	...	...
	5h	Event timer	UNSIGNED 16	RW	0

### **TxPDO Mapping Communication Entries**

Idx	Sidx	Description	Type	Attr	Default
1A00h	0h	Number of entries	UNSIGNED 8	RO	0
1A01h	0h	Number of entries	UNSIGNED 8	RO	4
	1h	Read Analog input 1h	UNSIGNED 16	RW	6401 0110h
	2h	Read Analog input 2h	UNSIGNED 16	RW	6401 0210h
	3h	Read Analog input 3h	UNSIGNED 16	RW	6401 0310h
	4h	Read Analog input 4h	UNSIGNED 16	RW	6401 0410h
1A02h	0h	Number of entries	UNSIGNED 8	RO	4
	1h	Read Analog input 5h	UNSIGNED 16	RW	6401 0510h
	2h	Read Analog input 6h	UNSIGNED 16	RW	6401 0610h
	3h	Read Analog input 7h	UNSIGNED 16	RW	6401 0710h
	4h	Read Analog input 8h	UNSIGNED 16	RW	6401 0810h
1A03h	0h	Number of entries	UNSIGNED 8	RO	2
	1h	Read Analog input 9h	UNSIGNED 16	RW	6401 0910h
	2h	Read Analog input Ah	UNSIGNED 16	RW	6401 0A10h
1A04h	0h	Number of entries	UNSIGNED 8	RO	0
1A05h	0h	Number of entries	UNSIGNED 8	RO	0
...	..	...	...	...	...
1A09h	0h	Number of entries	UNSIGNED 8	RO	0

### **Analog Input range Entry**

Idx	Sidx	Description	Type	Attr	Default
2004h	0h	Number of entries	UNSIGNED 8	RO	10
	1h	Input range of AI channel 0	UNSIGNED 8	RW	0x0E
	...	...	...	...	...
	6h	Input range of AI channel 5	UNSIGNED 8	RW	0x0E
	7h	Input range of AI channel 6	UNSIGNED 8	RW	0x0E
	Ah	Input range of AI channel 9	UNSIGNED 8	RW	0x0E



---

### **Analog Input DeviceEntries**

Idx	Sidx	Description	Type	Attr	Default
6401h	0h	Number of entries	UNSIGNED 8	RO	10
	1h	Read Analog Input channel 0	UNSIGNED 16	RO	-
	...	...	...	...	...
	Ah	Read Analog Input channel 9	UNSIGNED 16	RO	-

### **Analog Input Interrupt Upper Limit Integer**

Idx	Sidx	Description	Type	Attr	Default
6424h	0h	Number of entries	UNSIGNED 8	RO	10
	1h	AI upper limit of channel 0	UNSIGNED 32	RW	---
	...	...	...	...	...
	Ah	AI upper limit of channel 9	UNSIGNED 32	RW	---

**Note: Please refer to “Appendix” for AI upper limit range**

### **Analog Input Interrupt Lower Limit Integer**

Idx	Sidx	Description	Type	Attr	Default
6425h	0h	Number of entries	UNSIGNED 8	RO	10
	1h	AI lower limit of channel 0	UNSIGNED 32	RW	---
	...	...	...	...	...
	Ah	AI lower limit of channel 9	UNSIGNED 32	RW	---

**Note: Please refer to “Appendix” for AI lower limit range**

### **Analog Input Interrupt Delta Unsigned**

Idx	Sidx	Description	Type	Attr	Default
6426h	0h	Number of entries	UNSIGNED 8	RO	10
	1h	AI delta value of channel 0	UNSIGNED 32	RW	---
	...	...	...	...	...
	Ah	AI delta value of channel 9	UNSIGNED 32	RW	---

**Note: These values are used to define the acceptable AI change ranges for each AI channels and may have different range for the physical value because of the settings of the type code. Please refer to the appendix or the type code definition.**

## 3.2 Store and Restore Object

The user can write the value 65766173h to object with index 1010h and subindex 1 to save the application setting, or write the value 64616F6Ch to the object with index 1011h and subindex 1 and reboot the module to load the factory default. The following table lists the relative objects which will be stored or restored after writing these two objects. The factory default for these objects is also shown below:

Index	Subindex	Description	Factory Default
2004h	1~A	Analog Input type code for channel 0 ~ 9	08h
6421h	1~A	AI interrupt trigger selections for channel 0~9	07h
6423h	1	AI global interrupt enable	0
6424h	1~A	AI interrupt upper limit for channel 0~9	--
6425h	1~A	AI interrupt lower limit for channel 0~9	--
6426h	1~A	AI interrupt delta values for channel 0~9	--
1400h	1~2	RxPDO1 parameter	--
...	...	...	...
1409h	1~2	RxPDO10 parameter	--
1600h	0~8	RxPDO1 mapping information	--
...	...	...	...
1609h	0~8	RxPDO10 mapping information	--
1800h	1~5	TxPDO1 parameter	--
...	...	...	...
1809h	1~5	TxPDO10 parameter	--
1A00h	0~8	TxPDO1 mapping information	--
...	...	...	...
1A09h	0~8	TxPDO10 mapping information	--

### 3.3 Application Object

#### Type code of CAN-2019C module (0x2004)

The user can read the object with index 6401h and subindex 1~10 to get the AI value of the channel 0~9, and the range for each AI type code are listed in Appendix. If the user wants to change the AI input type, write the type code to the object with index 2004h and subindex 1~10. For example, if the node ID of CAN-2019C is 1, the following command would be used:

11-bit COB-ID (bit)											RTR	Data Length	8-byte Data (byte)							
Func Code				Node ID									0	8	0	1	2	3	4	5
10	9	8	7	6	5	4	3	2	1	0	0	1			2	3	4	5	6	7
1	1	0	0	0	0	0	0	0	0	1	0	8	2F	04	20	01	09	00	00	

SDO client



SDO server  
(CAN-2019C)

11-bit COB-ID (bit)											RTR	Data Length	8-byte Data (byte)							
Func Code				Node ID									0	8	0	1	2	3	4	5
10	9	8	7	6	5	4	3	2	1	0	0	1			2	3	4	5	6	7
1	0	1	1	0	0	0	0	0	0	1	0	8	60	04	20	01	00	00	00	

SDO client



SDO server  
(CAN-2019C)

#### Analogue Input module (0x6401)

Writing object with index 2004h and subindex 1 with Ah means to change the type code of the AI channel 0 with 9h.

11-bit COB-ID (bit)											RTR	Data Length	8-byte Data (byte)							
Func Code				Node ID									0	8	0	1	2	3	4	5
10	9	8	7	6	5	4	3	2	1	0	0	1			2	3	4	5	6	7
1	1	0	0	0	0	0	0	0	0	1	0	8	40	01	64	01	00	00	00	

SDO client



SDO server  
(CAN-2019C)

11-bit COB-ID (bit)											RTR	Data Length	8-byte Data (byte)							
Func Code				Node ID									0	8	0	1	2	3	4	5
10	9	8	7	6	5	4	3	2	1	0	0	1			2	3	4	5	6	7
1	0	1	1	0	0	0	0	0	0	1	0	8	4B	01	64	01	FF	3F	00	

SDO client



SDO server  
(CAN-2019C)

---

Reading object with index 6401h and subindex 1 means to get the value of the AI channel 0. According to the type code 9h set before, the replied value of the AI channel 0 is 3FFFh.

---

### 3.4 Default PDO Mapping

RxPDO mapping list:

ID	Len	D0	D1	D2	D3	D4	D5	D6	D7
200h+x	0	Reserved							
300h+x	0	Reserved							
400h+x	0	Reserved							
500h+x	0	Reserved							

TxPDO mapping list:

ID	Len	D0	D1	D2	D3	D4	D5	D6	D7
180h+x	0	Reserved							
280h+x	8	AI ch0		AI ch1		AI ch2		AI ch3	
380h+x	8	AI ch4		AI ch5		AI ch6		AI ch7	
480h+x	4	AI ch8		AI ch9		--		--	

### 3.5 EMCY Communication

The data format of the emergency object data follows the structure below.

Byte	0	1	2	3	4	5	6	7
Content	Emergency Error code		Error register	Manufacturer specific Error Field				

Each bit on the error register is defined as follows.

Bit	Meaning
0	Generic error
1	Current
2	Voltage
3	Temperature
4	Communication error (Overrun, error state)
5	Device profile specific
6	Reserved (Always 0)
7	Manufacturer specific

The Emergency error codes and the error register are specified in the following table.

Emergency Error Code		Error Register	Manufacture Specific Error Field		Description	
High Byte	Low Byte		First Byte	Last Four Bytes		
00	00	00	00	00 00 00 00	Error Reset or No Error	
10	00	81	01	00 00 00 00	CAN controller Error Occur	
50	00	81	02	00 00 00 00	EEPROM Access Error	
81	01	11	04	00 00 00 00	Soft Rx Buffer Overrun	
81	01	11	05	00 00 00 00	Soft Tx Buffer Overrun	
81	01	11	06	00 00 00 00	CAN controller Overrun	
81	30	11	07	00 00 00 00	Lift Guarding Fail	
81	40	11	08	00 00 00 00	Recover From Bus Off	
82	10	11	09	00 00 00 00	PDO Data Length Error	
FF	00	80	0A	00 00 00 00	Request To Reset Node or Communication	
FF	00	2E	0B	00 00 Upper limit alarm	00 00 Lower limit alarm	Upper/Lower limit alarm for Each channel

## Appendix: Type Code Definition

### Analog Input Type code Definition for CAN-2019C

Type Code	Input Type	Data Format	Max Value	Min Value
00h	-15 to +15mV	Engineer Unit	+15	-15
		2's complement HEX	7FFFh	8000h
01h	-50 to +50mV	Engineer Unit	+50	-50
		2's complement HEX	7FFFh	8000h
02h	-100 to +100mV	Engineer Unit	+100	-100
		2's complement HEX	7FFFh	8000h
03h	-500 to +500mV	Engineer Unit	+500	-500
		2's complement HEX	7FFFh	8000h
04h	-1 to +1V	Engineer Unit	+1	-1
		2's complement HEX	7FFFh	8000h
05h	-2.5 to +2.5V	Engineer Unit	+2.5	-2.5
		2's complement HEX	7FFFh	8000h
06h	-20 to +20mA (with 125Ω resistor)	Engineer Unit	+20	-20
		2's complement HEX	7FFFh	8000h
08h	-10 to +10V	Engineer Unit	+10	-10
		2's complement HEX	7FFFh	8000h
09h	-5 to +5V	Engineer Unit	+5	-5
		2's complement HEX	7FFFh	8000h
0Eh (Default)	J Type (°C)	Engineer Unit	+1200	-210
		2's complement HEX	7FFFh	E99Ah
0Fh	K Type (°C)	Engineer Unit	+1372	-270
		2's complement HEX	7FFFh	E6D0h
10h	T Type (°C)	Engineer Unit	+400	-270
		2's complement HEX	7FFFh	A99Ah
11h	E Type (°C)	Engineer Unit	+1000	-270
		2's complement HEX	7FFFh	DD71h
12h	R Type (°C)	Engineer Unit	+1765	-50
		2's complement HEX	7FFFh	FC60h
13h	S Type (°C)	Engineer Unit	+1765	-50
		2's complement HEX	7FFFh	FC60h
14h	B Type (°C)	Engineer Unit	+1820	0
		2's complement HEX	7FFFh	0000h
15h	N Type (°C)	Engineer Unit	+1300	-270
		2's complement HEX	7FFFh	E56Bh

---

16h	C Type (°C)	Engineer Unit	+2320	0
		2's complement HEX	7FFFh	0000h