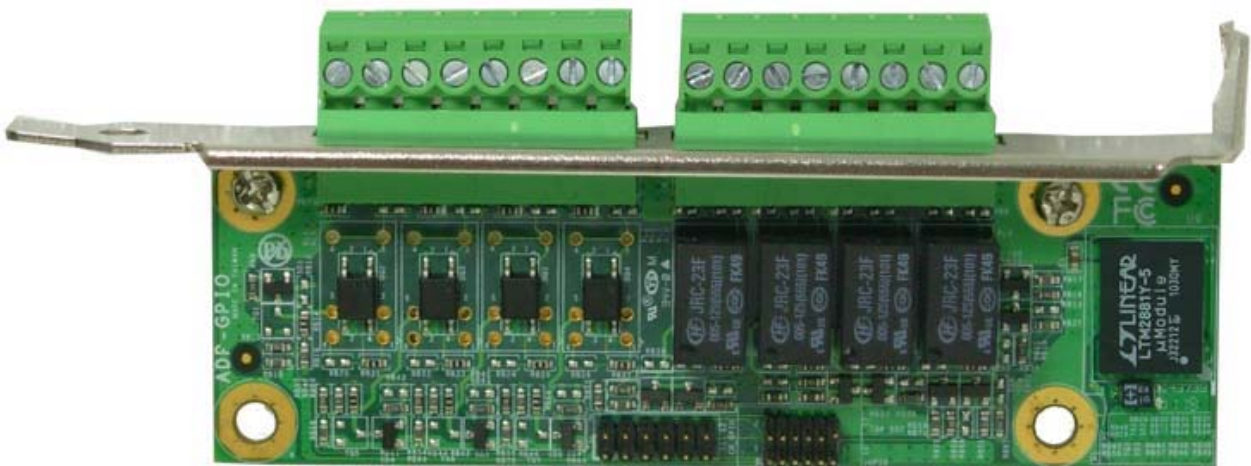


# ADP-GPIO

---

## User's Manual

Edition 1.0  
2011/10/21



## **Copyright**

Copyright 2011 all rights reserved. This document is copyrighted and all rights are reserved. The information in this document is subject to change without prior notice to make improvements to the products.

This document contains proprietary information and protected by copyright. No part of this document may be reproduced, copied, or translated in any form or any means without prior written permission of the manufacturer.

All trademarks and/or registered trademarks contains in this document are property of their respective owners.

## **Disclaimer**

The company shall not be liable for any incidental or consequential damages resulting from the performance or use of this product.

The company does not issue a warranty of any kind, express or implied, including without limitation implied warranties of merchantability or fitness for a particular purpose.

The company has the right to revise the manual or include changes in the specifications of the product described within it at any time without notice and without obligation to notify any person of such revision or changes.

## **Trademark**

All trademarks are the property of their respective holders.

---

Any questions please visit our website at <http://www.commell.com.tw>.

## Packing List:

### Hardware:

ADP-GPION adapter x1

### Cable kit:



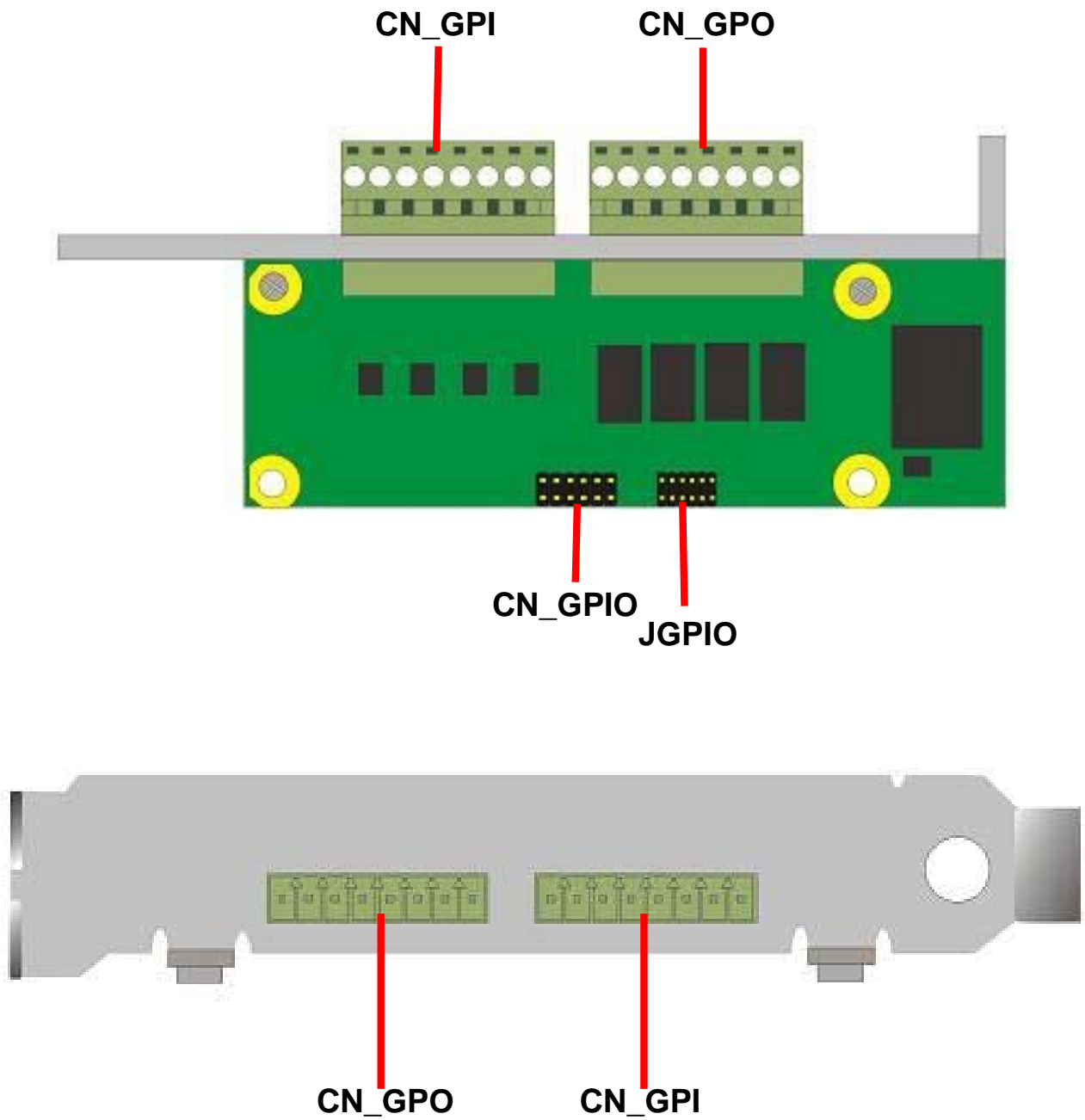
12PIN HSG P=2.0 to 12PIN HSG Pitch=2.0

(OALGPIOS-L20)

# 1.0 <Product Specification>

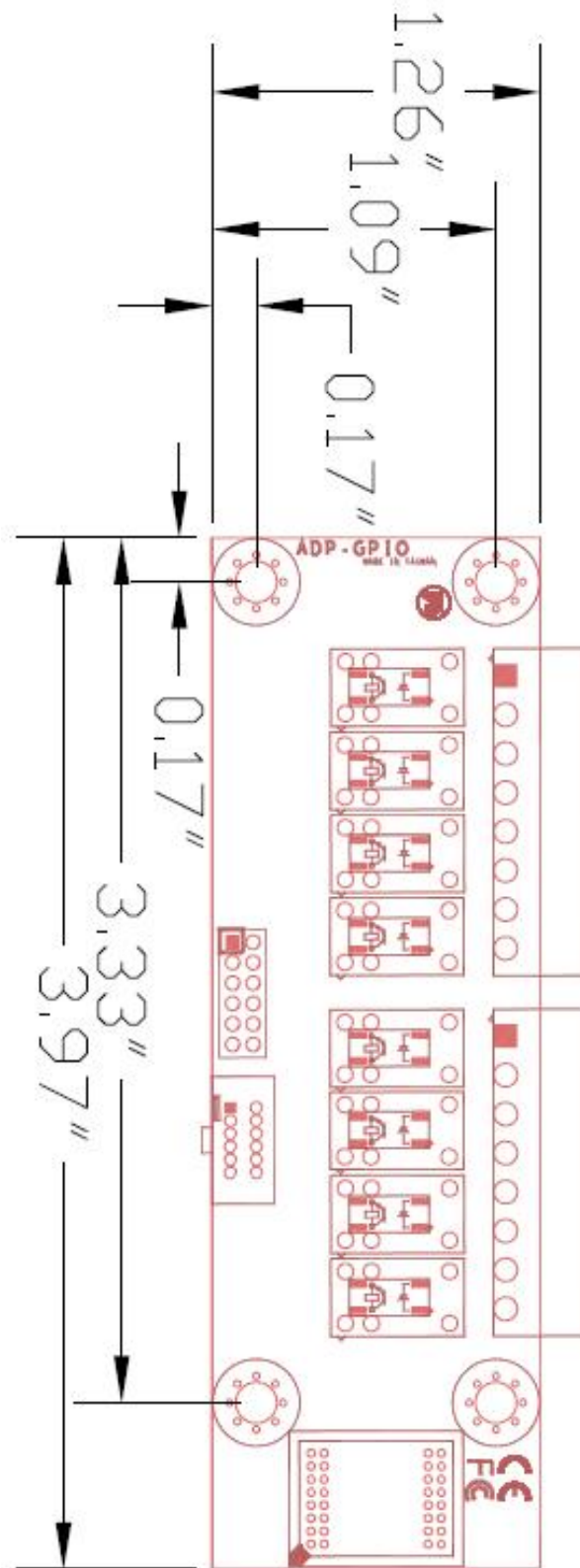
<b>General Specification</b>	
Controller	FAIRCHILD FODM121 HONGFA JRC-23F
Features	Four photo-couple input connectors Four relay output connectors GPIO single isolation
Power Requirement	DC5V,1A
Accessories	1 x 12PIN HSG to 12PIN HSG Cable ( For GPIO Input )
Dimensions ( W x D )	101mm x 32mm
Temperature	Operating within 0~60 centigrade
<b>Ordering Code</b>	
ADP-GPION4I4O5V	4 x photo-couple input & 4 x relay output module
ADP-GPION8I5V	8 x photo-couple input

## 1.1 <Component Placement>



## 1.2 <Mechanical Drawing>

### ADP-GPION

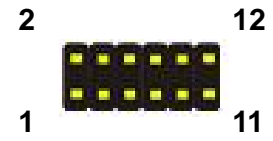


Unit: inch

## 1.3 <Connector Reference>

**Connector:** CN\_GPIO

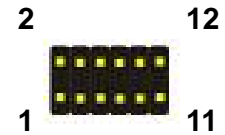
**Type:** 12-pin (6 x 2) 2.0mm x 2.0mm-pitch header



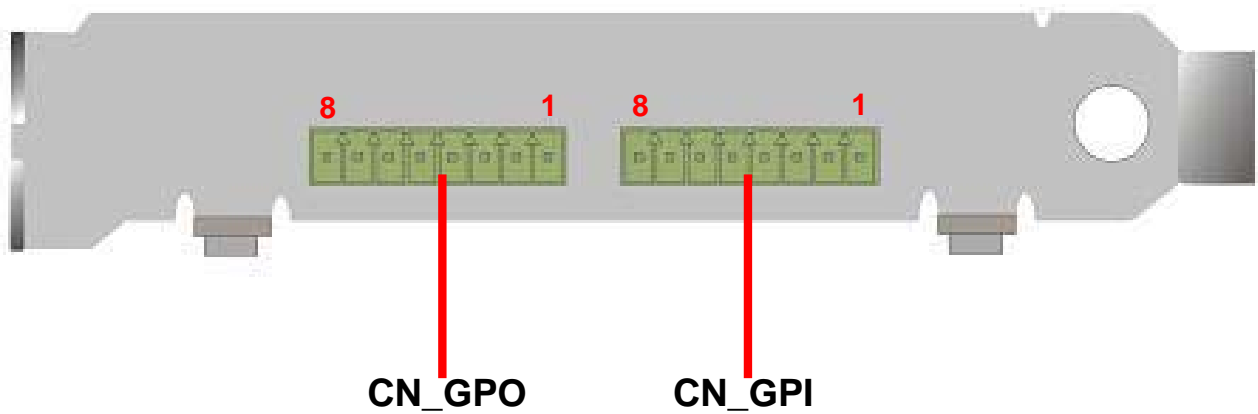
Pin	Description	Pin	Description
1	GND	2	GND
3	GPI0	4	GPO4
5	GPI1	6	GPO5
7	GPI2	8	GPO6
9	GPI3	10	GPO7
11	+5V	12	NC

**Connector:** JGPIO

**Type:** 12-pin (6 x 2) 1.27mm x 2.54mm-pitch header



Pin	Description	Pin	Description
1	GND	2	GND
3	GPI0	4	GPO4
5	GPI1	6	GPO5
7	GPI2	8	GPO6
9	GPI3	10	GPO7
11	+5V	12	NC



**Connector: CN\_GPI**

**Type: Terminal Block 8-pin pitch=3.81mm**



Pin	Description	Pin	Description
1	GPI0-	2	GPI0+
3	GPI1-	4	GPI1+
5	GPI2-	6	GPI2+
7	GPI3-	8	GPI3+

**Connector: CN\_GPO**

**Type: Terminal Block 8-pin pitch=3.81mm**

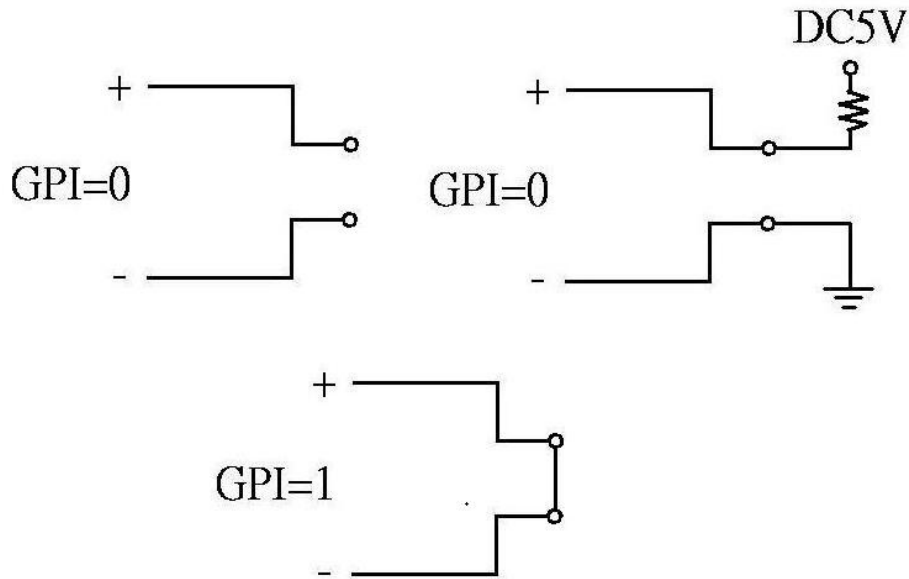


Pin	Description	Pin	Description
1	GPO4-	2	GPO4+
3	GPO5-	4	GPO5+
5	GPO6-	6	GPO6+
7	GPO7-	8	GPO7+

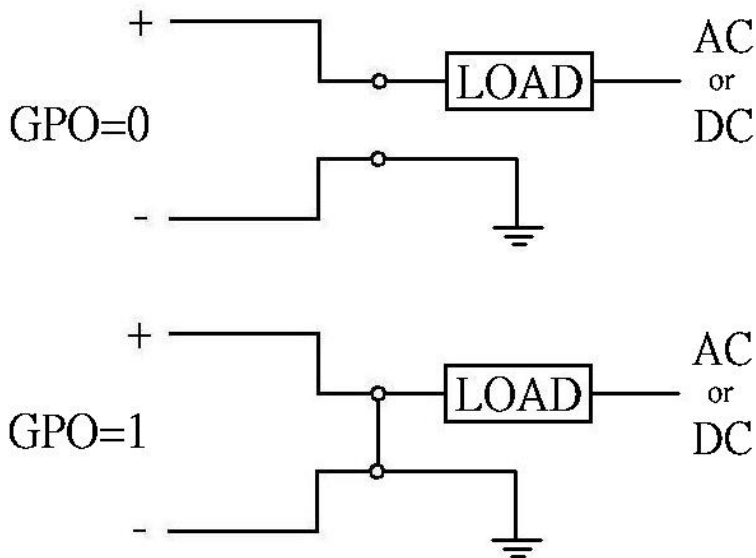


# 1.4 <H/W setting>

## GPI(DI) Application



## GPO(DO) Application



Relay Contact rating	0.3A 60VDC / 0.5A 125VAC / 1A 30VDC
Relay Operate time	5 ms
Relay Bounce time	5 ms

## Contact Information

Any advice or comment about our products and service, or anything we can help you please don't hesitate to contact with us. We will do our best to support you for your products, projects and business.

### Taiwan Commate Computer Inc.

Address	19F., .94, Sec. 1, Xintai 5th Rd., Xizhi Dist., New Taipei City 22102, Taiwan (R.O.C.)
TEL	+886-2-26963909
FAX	+886-2-26963911
Website	<a href="http://www.commell.com.tw">http://www.commell.com.tw</a>
E-Mail	<a href="mailto:info@commell.com.tw">info@commell.com.tw</a> (General Information) <a href="mailto:tech@commell.com.tw">tech@commell.com.tw</a> (Technical Support)

**Commell is the trademark of Taiwan Commate Computer INC.**