

MPX-9125

User's Manual

Edition 1.0
2011/09/16



Copyright

Copyright 2011 all rights reserved. This document is copyrighted and all rights are reserved. The information in this document is subject to change without prior notice to make improvements to the products.

This document contains proprietary information and protected by copyright. No part of this document may be reproduced, copied, or translated in any form or any means without prior written permission of the manufacturer.

All trademarks and/or registered trademarks contains in this document are property of their respective owners.

Disclaimer

The company shall not be liable for any incidental or consequential damages resulting from the performance or use of this product.

The company does not issue a warranty of any kind, express or implied, including without limitation implied warranties of merchantability or fitness for a particular purpose.

The company has the right to revise the manual or include changes in the specifications of the product described within it at any time without notice and without obligation to notify any person of such revision or changes.

Trademark

All trademarks are the property of their respective holders.

Any questions please visit our website at <http://www.commell.com.tw>.

Packing List:

Hardware:

MPX-9125 SATAIII PCI Express mini card x1

Cable kit:



DF14 10PIN for SATA x 2
(OALSATA7-H10)

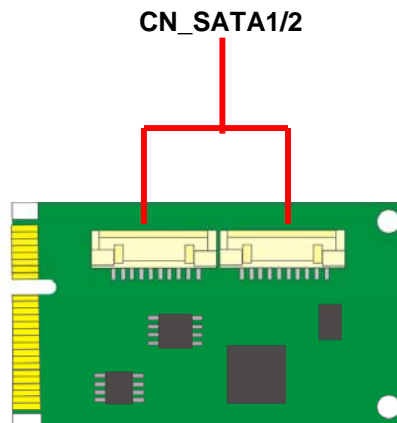
CD Content:

Driver & User's Manual

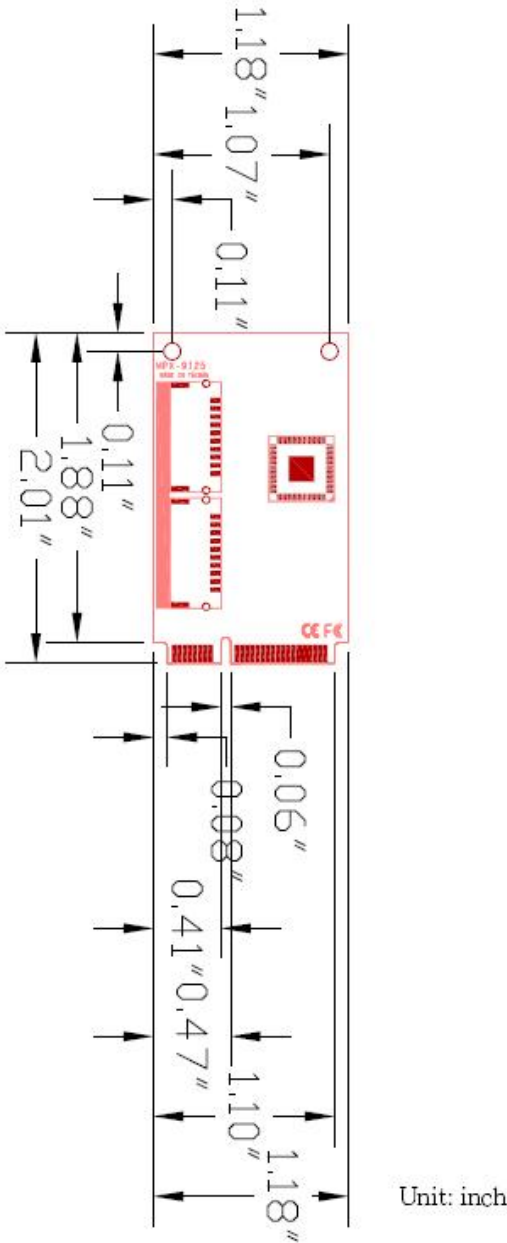
1.0 <Product Specification>

General Specification	
Form Factor	PCI Express mini card
Controller	Marvell 88SE9125
Features	2 x SATAIII provides up to 600MB/s of transferring rate (Support customer's own RAID software)
Accessories	2 x DF14 10-pin SATA Cable
Dimensions (W x D)	30.00mm x 50.95mm

1.1 <Component Placement>



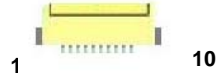
1.2 <Mechanical Drawing>



1.3 <Connector Reference>

Connector: CN_SATA1/2

Type: DF14 10-pin pitch=1.25mm



Pin	Description	Pin	Description
1	GND	2	TXP0/1
3	TXN0/1	4	GND
5	GND	6	GND
7	GND	8	RXN0/1
9	RXP0/1	10	GND

```

Marvell 88SE91xx Adapter - BIOS Version 1.0.0.1028.
PCIe x1 2.5Gbps
Mode: PassThru AHCI
Disks Information:
Port   Disk Name                Size  Speed
S0     SATA: WDC WD10EALX-009BA0 1TB   6Gb/s
S1     SATA: WDC WD3200AAJS-00Y2CA0 320GB 3Gb/s
    
```

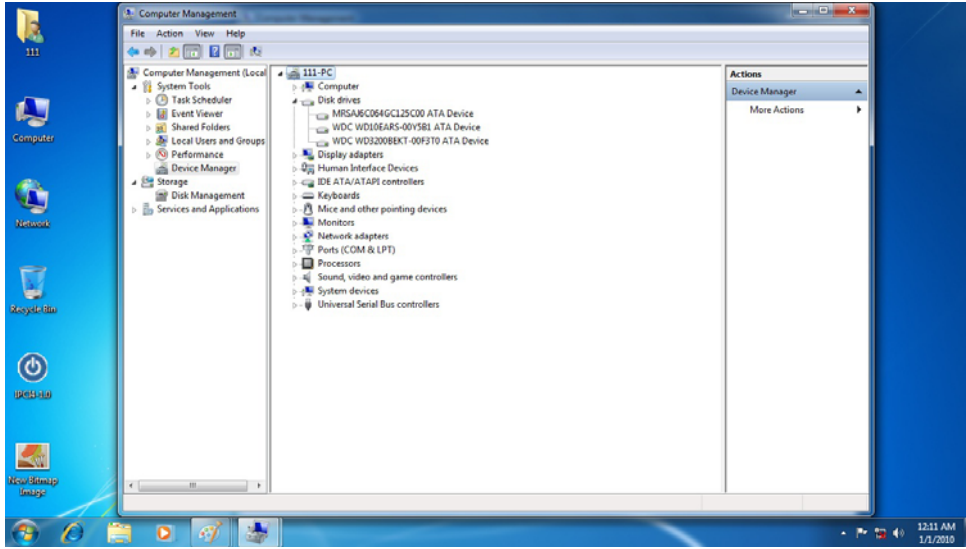
SATAIII HDD
SATAII HDD

1.4 <SATA RAID Configuration>

The board integrates Marvell 88SE9125 with RAID function for Serial ATA III drives, and supports the configurations below:

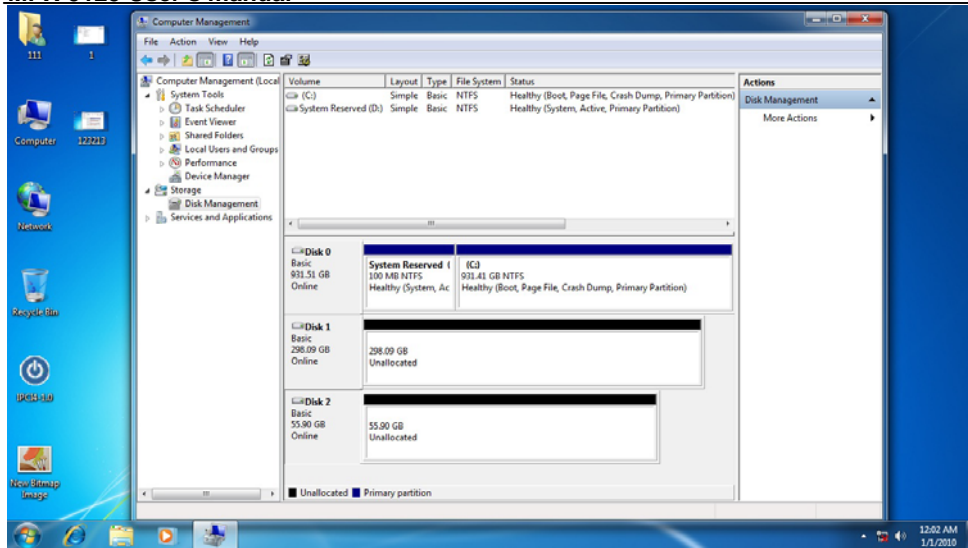
RAID 0 (Striping): Two hard drives operating as one drive for optimized data R/W performance. It needs two unused drives to build this operation.

RAID 1 (Mirroring): Copies the data from first drive to second drive for data security, and if one drive fails, the system would access the applications to the workable drive. It needs two unused drives or one used and one unused drive to build this operation. The second drive must be the same or larger size than first one.

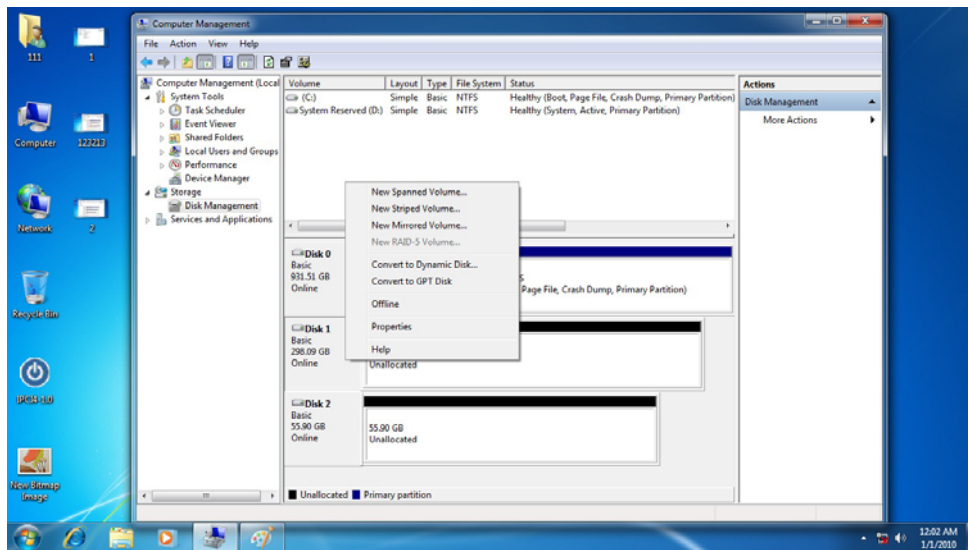


Right-click on the computer and select manage

MPX-9125 User's manual



select Disk Management



Right-click in the black region and choose RAID mode

Contact Information

Any advice or comment about our products and service, or anything we can help you please don't hesitate to contact with us. We will do our best to support you for your products, projects and business.

Taiwan Commate Computer Inc.

Address	19F, No. 94, Sec. 1, Shin Tai Wu Rd., Shi Chih Dist., New Taipei City, Taiwan
TEL	+886-2-26963909
FAX	+886-2-26963911
Website	http://www.commell.com.tw
E-Mail	info@commell.com.tw (General Information) tech@commell.com.tw (Technical Support)

Commell is the trademark of Taiwan Commate Computer INC.