

# NS-208A/NSM-208A

8-port Industrial 10/100 Mbps Ethernet Switch



## Highlight Information ▶▶▶



## Features ▶▶▶

- Automatic MDI/MDI-X crossover for plug-and-play
- Store-and-forward architecture
- Full duplex IEEE 802.3x and half duplex backpressure flow control
- DIN-Rail
- Each port supports both 10/100 Mbps speed auto negotiation
- Supports +12 ~ +48 V<sub>DC</sub> power input
- Supports operating temperatures from -40 °C ~ +75 °C

## Introduction

The NS-208A/NSM-208A has 8 Ethernet ports that support 10/100 Base-TX, with a 10/100M auto negotiation feature and auto MDI/MDI-X function.

All Ethernet ports have memory buffers that support the store-and-forward mechanism, which assures that data can be transmitted properly. The NS-208A/NSM-208A supports advanced network standards to optimize network performance, reduce maintenance costs, and secure network safety.

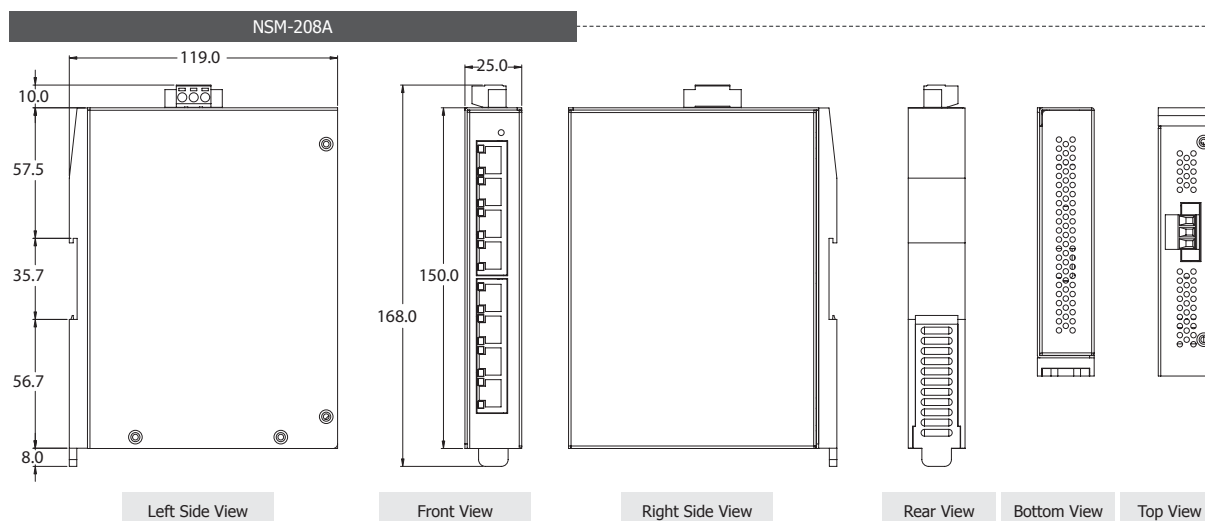
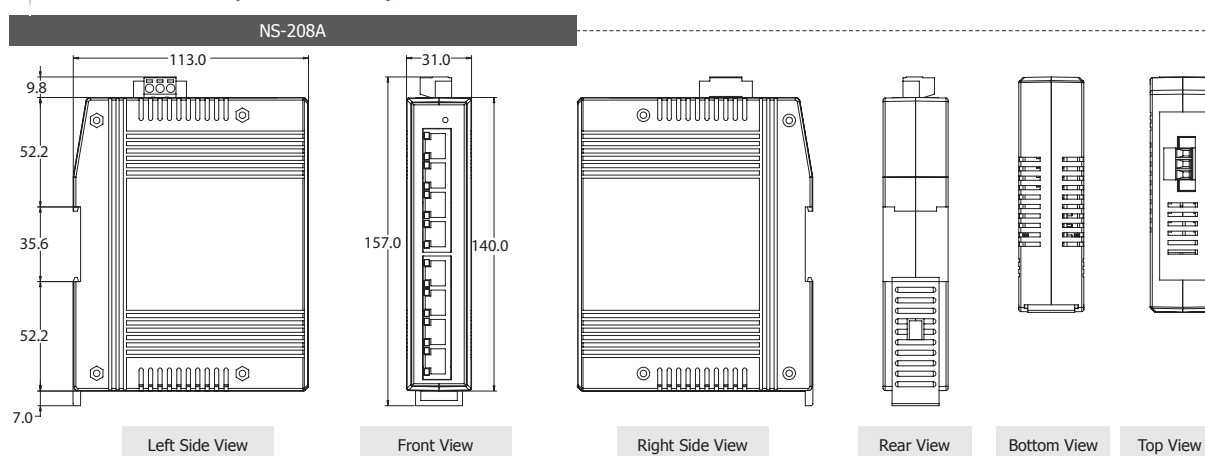
The flow control mechanism is also negotiated. There is link/data rate LEDs for each port to aid troubleshooting. Port connectors are shielded RJ-45.

## Specifications

Models	NS-208A	NSM-208A
Technology		
Standards	IEEE 802.3, 802.3u, 802.3x	
Processing Type	Store & forward; wire speed switching	
MAC Addresses	1024	
Memory Bandwidth	2 Gbps	
Frame Buffer Memory	512 Kbit	
Flow Control	IEEE 802.3x flow control, back pressure flow control	
Interface		
RJ-45 Ports	10/100 Base-T(X) auto negotiation speed, F/H duplex mode, and auto MDI/MDI-X connection	
LED Indicators	Power, Link/Act, 10/100M	
Ethernet Isolation	1500 V <sub>rms</sub> 1 minute	
EMS Protection	Yes	

Models	NS-208A	NSM-208A
<b>Power Input</b>		
Input Voltage Range	+12 ~ +48 V <sub>DC</sub>	
Power Consumption	0.2 A @ 24 V <sub>DC</sub>	
Protection	Power reverse polarity protection	
EMS Protection	Yes	
Connection	3-Pin Removable Terminal Block	
<b>Mechanical</b>		
Casing	Plastic (Flammability UL 94V-0)	Metal (IP30 Protection)
Dimensions (W x L x H)	31 mm x 157 mm x 113 mm	25 mm x 168 mm x 119 mm
Installation	DIN-Rail	
<b>Environment</b>		
Operating Temperature	-40 °C ~ +75 °C	
Storage Temperature	-40 °C ~ +85 °C	
Ambient Relative Humidity	10% ~ 90% RH, non-condensing	

## Dimensions (Units: mm)



## Ordering Information

Art. no. 127051	NS-208A CR	Unmanaged 8-port Industrial 10/100 Mbps Ethernet Switch (RoHS)
Art. no. 127052	NSM-208A CR	Unmanaged 8-port Industrial 10/100 Mbps Ethernet Switch with Metal Casing (RoHS)

## Accessories

MDR-60-48	48 V/1.25 A, 60 W Power Supply with DIN-Rail Mounting
DIN-KA52F-48	48 V/0.52 A, 25 W Power Supply with DIN-Rail Mounting
KA52F-48	48 V/0.52 A, 25 W Power Supply