



I-8084W

User Manual

Version 1.0 beta1, January 2009

Service and usage information for
WinPAC 8000 and iPAC 8000 Series

Written by Hans Chen
Edited by Anna Huang

Warranty

All products manufactured by ICP DAS are under warranty regarding defective materials for a period of one year, beginning from the date of delivery to the original purchaser.

Warning

ICP DAS assumes no liability for any damage resulting from the use of this product.

ICP DAS reserves the right to change this manual at any time without notice. The information furnished by ICP DAS is believed to be accurate and reliable. However, no responsibility is assumed by ICP DAS for its use, no for any infringements of patents or other rights of third parties resulting from its use.

Copyright

Copyright © 2007 by ICP DAS Co., Ltd. All rights are reserved.

Trademarks

The names used in this manual are for identification purpose only and may be registered trademarks of their respective companies.

Table of Contents

Table of Contents	3
1. Introduction to the I8084W	9
1.1. Specification	10
1.2. Pin Assignment	12
1.3. I/O Structure	13
1.4. Wiring Connection	17
1.5. Dimensions	19
2. Hardware Operation Principle	20
2.1. Input Signal Model	20
2.2. Digital Low Pass Filter	23
2.3. Operation Mode	33
2.3.1. MODE 00: PULSE /DIR COUNTING	35
2.3.2. MODE 01: UP/DOWN COUNTING	37
2.3.3. MODE 02: FREQUENCY MODE	39

Table of Contents

2.3.4. MODE 03: UP COUNTING	41
2.3.5. MODE 04: QUADRANT COUNTING	43
3. Usage on the iPAC-8000	44
3.1. i8084W_GetLibVersion	45
3.2. i8084W_GetLibDate	46
3.3. i8084W_InitDriver	47
3.4. i8084W_SetChannelMode	48
3.5. i8084W_AutoScan	49
3.6. i8084W_ReadCntABPhase	50
3.7. i8084W_ReadCntPulseDir	51
3.8. i8084W_ReadCntUpDown	53
3.9. i8084W_ReadFreq	55
3.10. i8084W_ReadCntUp	56
3.11. i8084W_ClrCnt	57

Table of Contents

3.12.	i8084W_RecoverDefaultSetting	58
3.13.	i8084W_ReadXorRegister	59
3.14.	i8084W_SetXorRegister	60
3.15.	i8084W_ReadChannelMode	61
3.16.	i8084W_ReadLowPassFilter	62
3.17.	i8084W_SetLowPassFilter	63
3.18.	i8084W_ReadLowPassFilter_Status	64
3.19.	i8084W_SetLowPassFilter_Status	65
3.20.	i8084W_ReadFreqMode	66
3.21.	i8084W_SetFreqMode	67
3.22.	i8084W_ReadFreqUpdateTime	68
3.23.	i8084W_SetFreqUpdateTime	69
3.24.	i8084W_ReadFreqTimeoutValue	70
3.25.	i8084W_SetFreqTimeoutValue	71

Table of Contents

3.26. i8084W_ReadDI_Xor	72
3.27. i8084W_ReadDI_XorLPF	73
3.28. i8084W_EepWriteEnable	74
3.29. i8084W_EepWriteDisable	75
3.30. i8084W_EepWriteWord	76
3.31. i8084W_EepReadWord	77
4. Usage on the WinPAC-8000	78
4.1. pac_i8084W_GetLibVersion	80
4.2. pac_i8084W_GetLibDate	81
4.3. pac_i8084W_InitDriver	82
4.4. pac_i8084W_SetChannelMode	83
4.5. pac_i8084W_ReadCntABPhase	84
4.6. pac_i8084W_ReadCntPulseDir	85
4.7. pac_i8084W_ReadCntUpDown	87

Table of Contents

4.8. pac_i8084W_ReadFreq	89
4.9. pac_i8084W_ReadCntUp	90
4.10. pac_i8084W_ClrCnt	91
4.11. pac_i8084W_RecoverDefaultSetting	92
4.12. pac_i8084W_ReadXorRegister	93
4.13. pac_i8084W_SetXorRegister	94
4.14. pac_i8084W_ReadChannelMode	95
4.15. pac_i8084W_ReadLowPassFilter	96
4.16. pac_i8084W_SetLowPassFilter	97
4.17. pac_i8084W_ReadLowPassFilter_Status	98
4.18. pac_i8084W_SetLowPassFilter_Status	99
4.19. pac_i8084W_ReadFreqMode	100
4.20. pac_i8084W_SetFreqMode	101
4.21. pac_i8084W_ReadFreqTimeoutValue	102

Table of Contents

4.22.	pac_i8084W_SetFreqTimeoutValue	103
4.23.	pac_i8084W_ReadDI_Xor	104
4.24.	pac_i8084W_ReadDI_XorLPF	105
4.25.	pac_i8084W_EepWriteEnable	106
4.26.	pac_i8084W_EepWriteDisable	107
4.27.	pac_i8084W_EepWriteWord	108
4.28.	pac_i8084W_EepReadWord	109

1. Introduction to the I8084W

I-8084W is a 4/8-channel Counter/Frequency Module.

1.1. Specification

Digital Input	
Mode	4-ch Up/Down Counter (Up/Down)
	4-ch Dir/Pulse Counter (Bi-direction)
	4-ch Quadrant Counting
	8-ch Up Counter
	8-ch Frequency
	Programmable Built-in gate time: 0.33 sec (Default)
	Programmable Digital Noise Filter: 1 ~ 32737 μ s
Isolated Input Level	Logic Level 0: +1 V max
	Logic Level 1: +4.5 ~ 30 V
TTL Input Level	Logic Level 0: 0 ~ 0.8 V
	Logic Level 1: 2 ~ 5 V
Input Frequency	0 ~ 450 kHz (Frequency Mode)
	450 kHz (Counter Mode)
Minimum Pulse Width	1 μ s (Frequency Mode)
	1 μ s (Counter Mode)
EEPROM	128 KB

Digital Input	
Isolated Voltage	1000 Vrms
ESD Protection	2 kV (Contact for each channel)

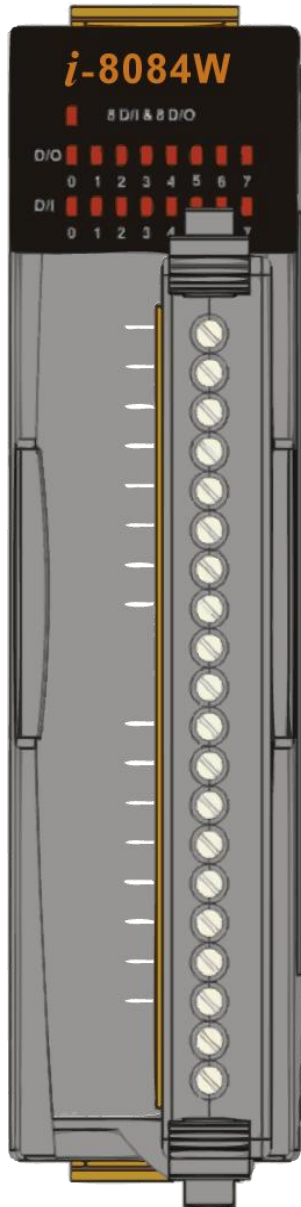
LED Display
1 LED as Power Indicator
8 LEDs as Digital Input Indicators

Power	
Power Consumption	1 W

Environment	
Operating Temperature	-25 ~ 75 °C
Storage Temperature	-30 ~ 85 °C
Humidity	5 ~ 95 % RH, Non-condensing

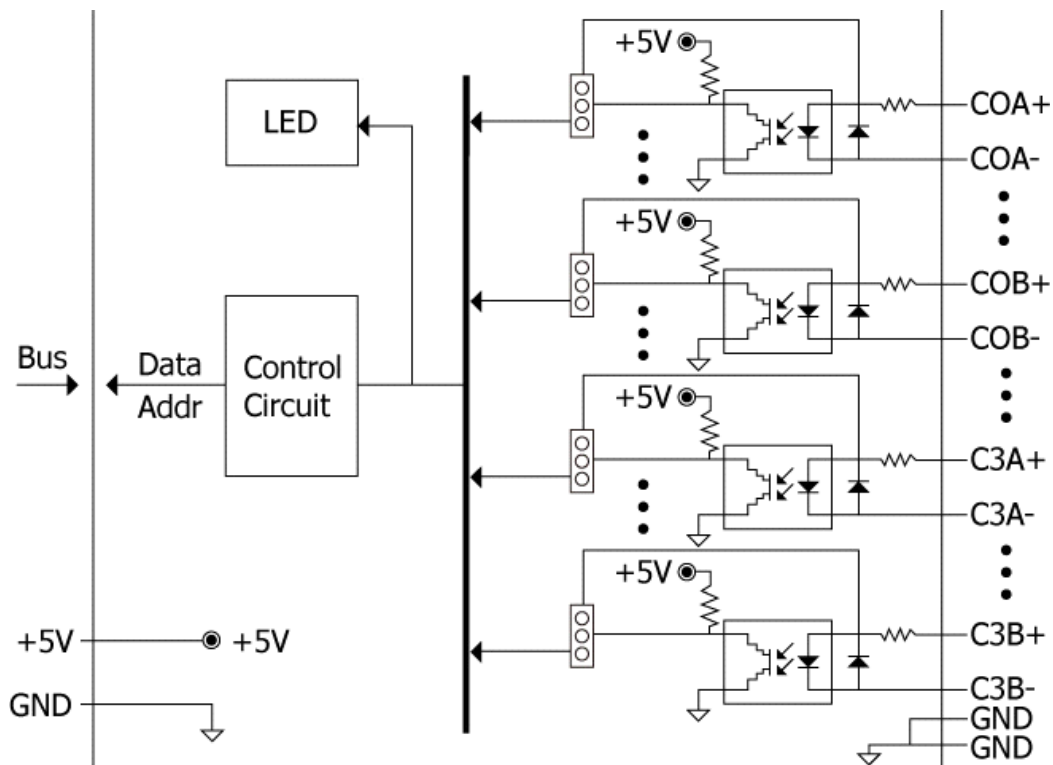
Dimensions
30 mm x 85 mm x 114 mm (W x L x H)

1.2. Pin Assignment

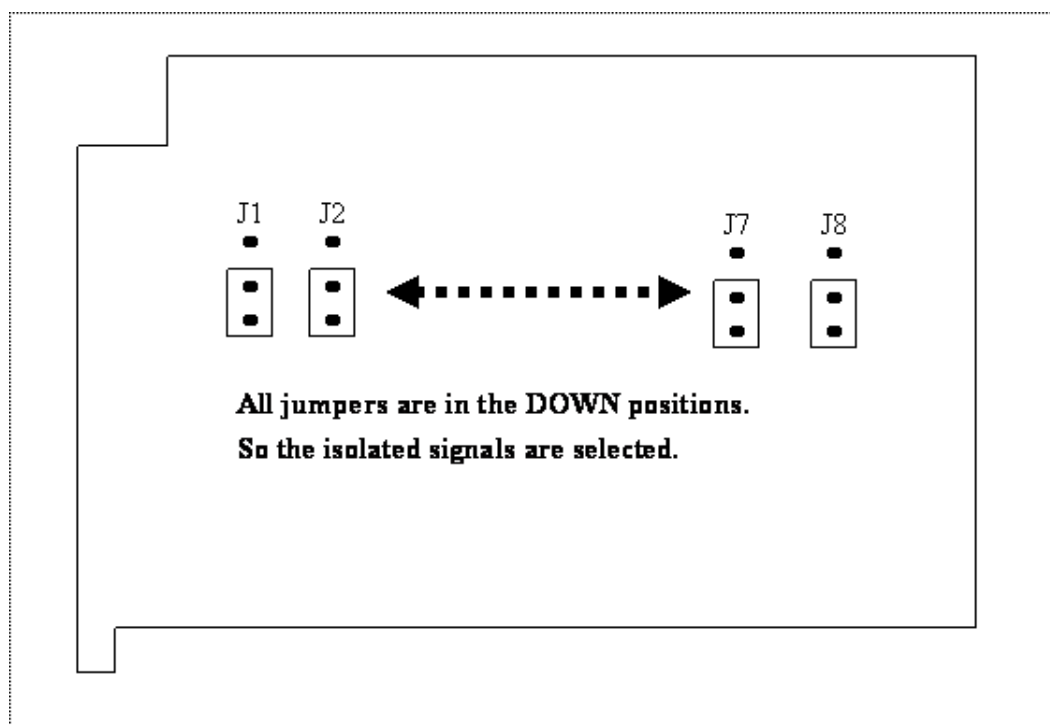


Terminal No.		Pin Assignment Name
01		C0A+
02		C0A-
03		C0B+
04		C0B-
05		C1A+
06		C1A-
07		C1B+
08		C1B-
09		C2A+
10		C2A-
11		C2B+
12		C2B-
13		C3A+
14		C3A-
15		C3B+
16		C3B-
17		GND
18		GND
19		GND
20		GND

1.3. I/O Structure

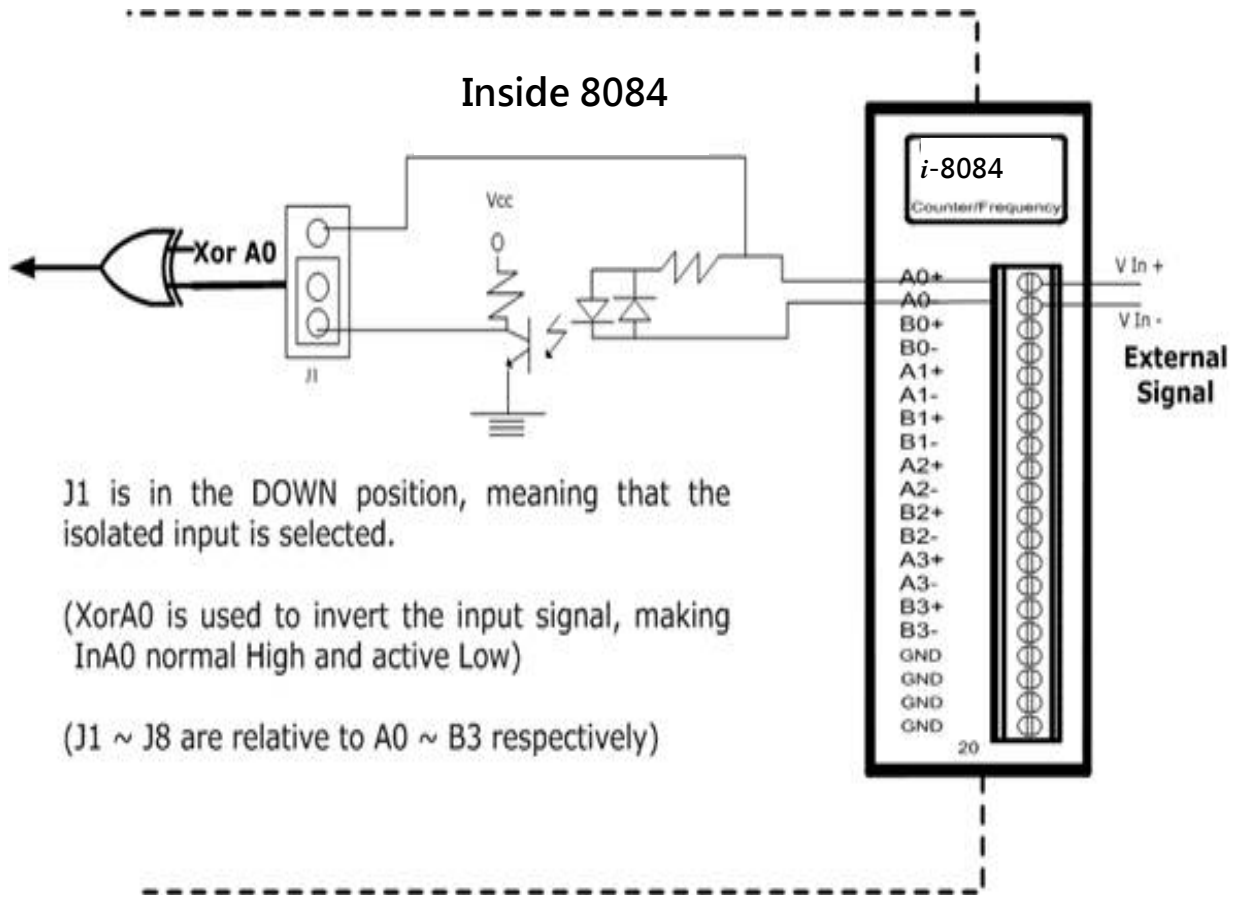


The default jumper settings are as follows:



Isolated

Input:



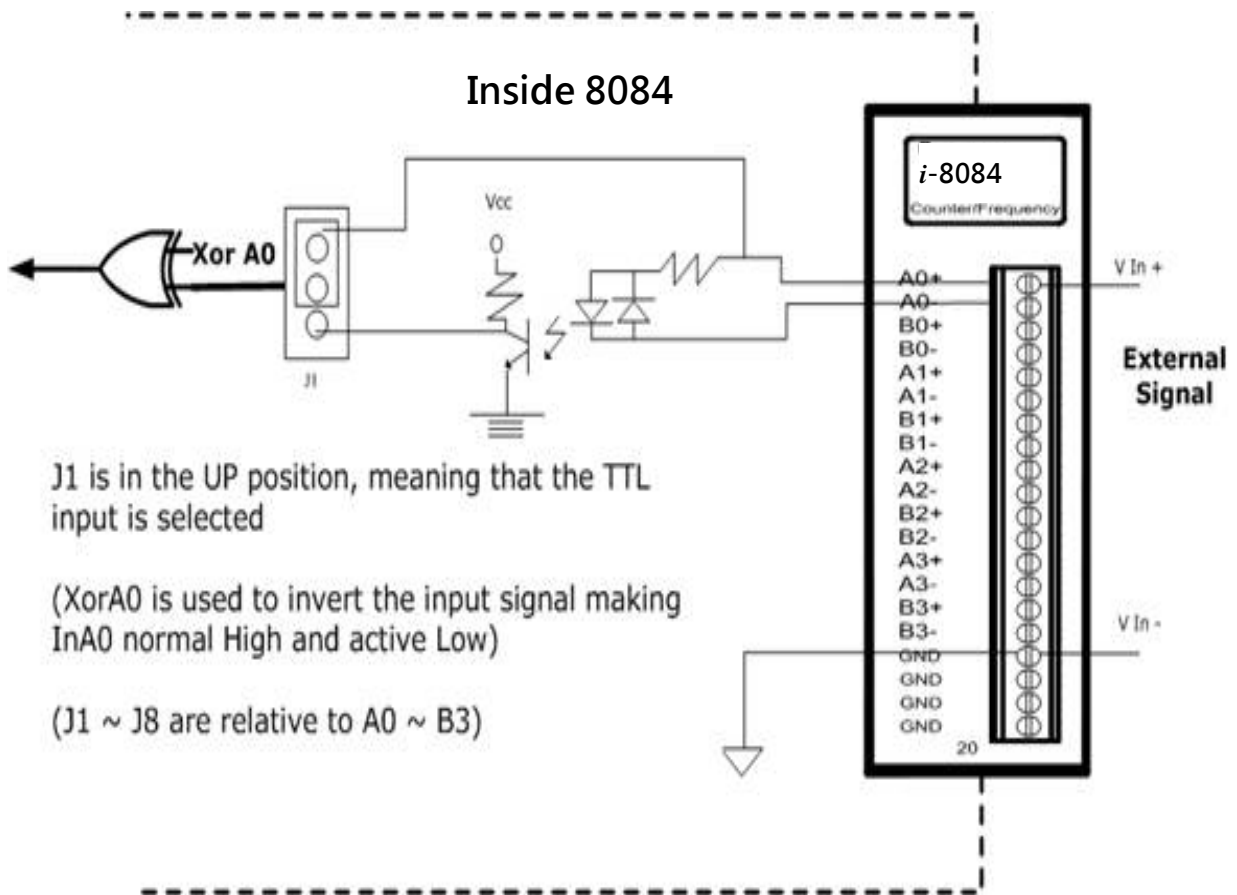
J1 is in the DOWN position, meaning that the isolated input is selected.

(XorA0 is used to invert the input signal, making InA0 normal High and active Low)

(J1 ~ J8 are relative to A0 ~ B3 respectively)

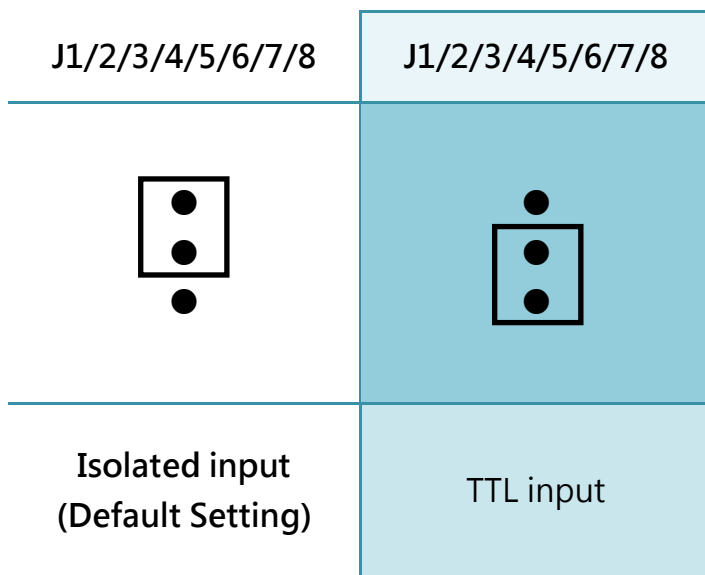
TTL

Input:



























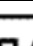













































Isolated or TTL input is selected by using JP1 to JP3 as indicated below:

J1	Select A0
J2	Select B0
J3	Select A1
J4	Select B1
J5	Select A2
J6	Select B2
J7	Select A3
J8	Select B3



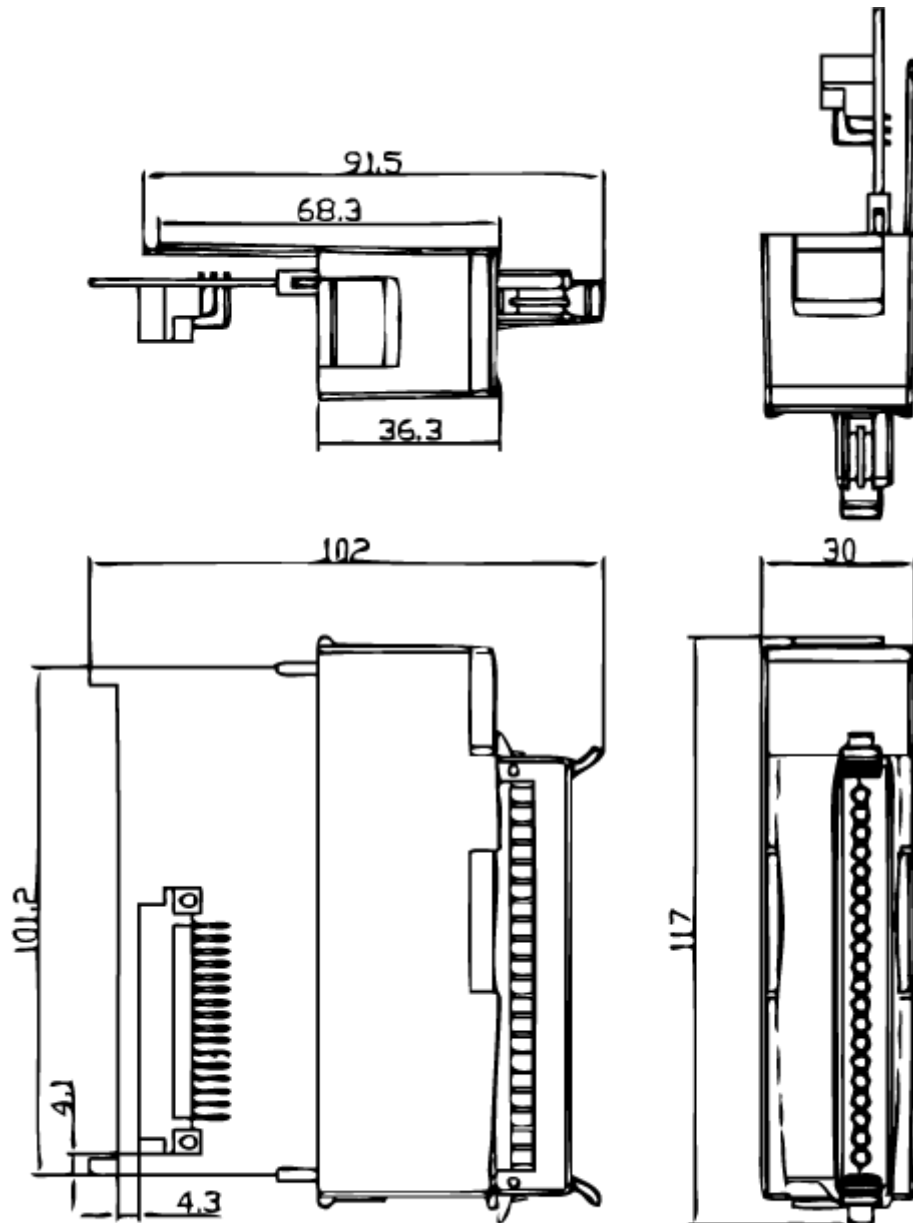
1.4. Wiring Connection

Counter Type		
Mode	Isolation	No-n-Isolation
Dir/Pulse	<p>Vin+ (Pulse) —   CxA+</p> <p>Vin- (Pulse) —   CxA-</p> <p>Vin+ (Dir) —   CxB+</p> <p>Vin- (Dir) —   CxB-</p>	<p>Vin+ (Pulse) —   CxA+</p> <p>Vin+ (Dir)rol —   CxB-</p> <p>Vin- (Pulse) and Vin- (Dir) —   GND</p>
Up/Down	<p>Vin+ (Up) —   CxA+</p> <p>Vin- (Up) —   CxA-</p> <p>Vin+ (Down) —   CxB+</p> <p>Vin- (Down) —   CxB-</p>	<p>Vin+ (Up) —   CxA+</p> <p>Vin+ (Down) —   CxB-</p> <p>Vin- (Up) and Vin- (Down) —   GND</p>
Up	<p>Vin+ (Up0) —   CxA+</p> <p>Vin- (Up0) —   CxA-</p> <p>Vin+ (Up1) —   CxB+</p> <p>Vin- (Up1) —   CxB-</p>	<p>Vin+ (Up0) —   CxA+</p> <p>Vin+ (Up1) —   CxB-</p> <p>GND —   GND</p>
Quadrant	<p>Vin+ (A0) —   CxA+</p> <p>Vin- (A0) —   CxA-</p> <p>Vin+ (B0) —   CxB+</p> <p>Vin- (B0) —   CxB-</p>	<p>Vin+ (A0) —   CxA+</p> <p>Vin+ (B0) —   CxB-</p> <p>GND —   GND</p>

Frequency Type		
Mode	Isolation	No-n-Isolation
Frequency	<p>Vin+ (Freq0) —   CxA+</p> <p>Vin- (Freq0) —   CxA-</p> <p>Vin+ (Freq1) —   CxB+</p> <p>Vin- (Freq1) —   CxB-</p>	<p>Vin+ (Freq0) —   CxA+</p> <p>Vin+ (Freq1) —   CxB-</p> <p>GND —   GND</p>

1.5. Dimensions

Unit: mm



2. Hardware Operation Principle

2.1. Input Signal Model

1. Isolated Input (XOR=0)

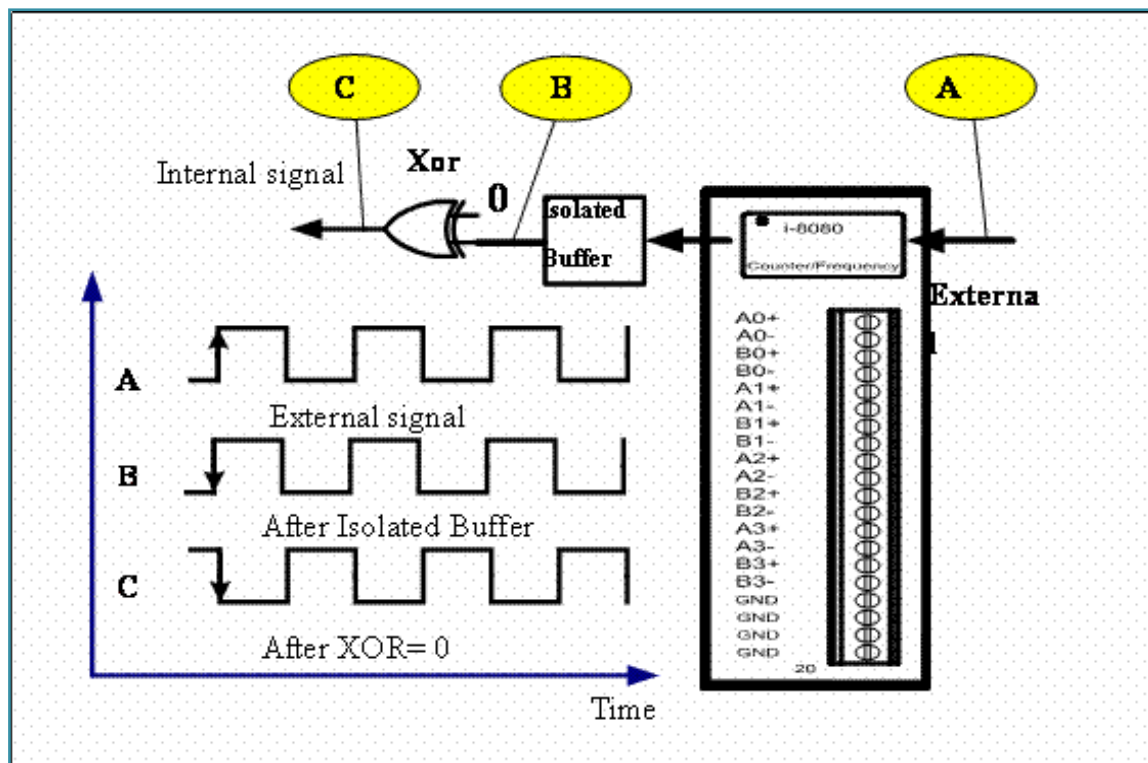
The operational logic applied on the 8084 modules is the falling edge trigger.

(Normal High and Active Low)

The external signal is input into an 8084 module through the isolated mechanism, with the signal being reversed from the external signal.

This internal signal is the suggested waveform, as it doesn't need to execute the XOR operation (XOR=0).

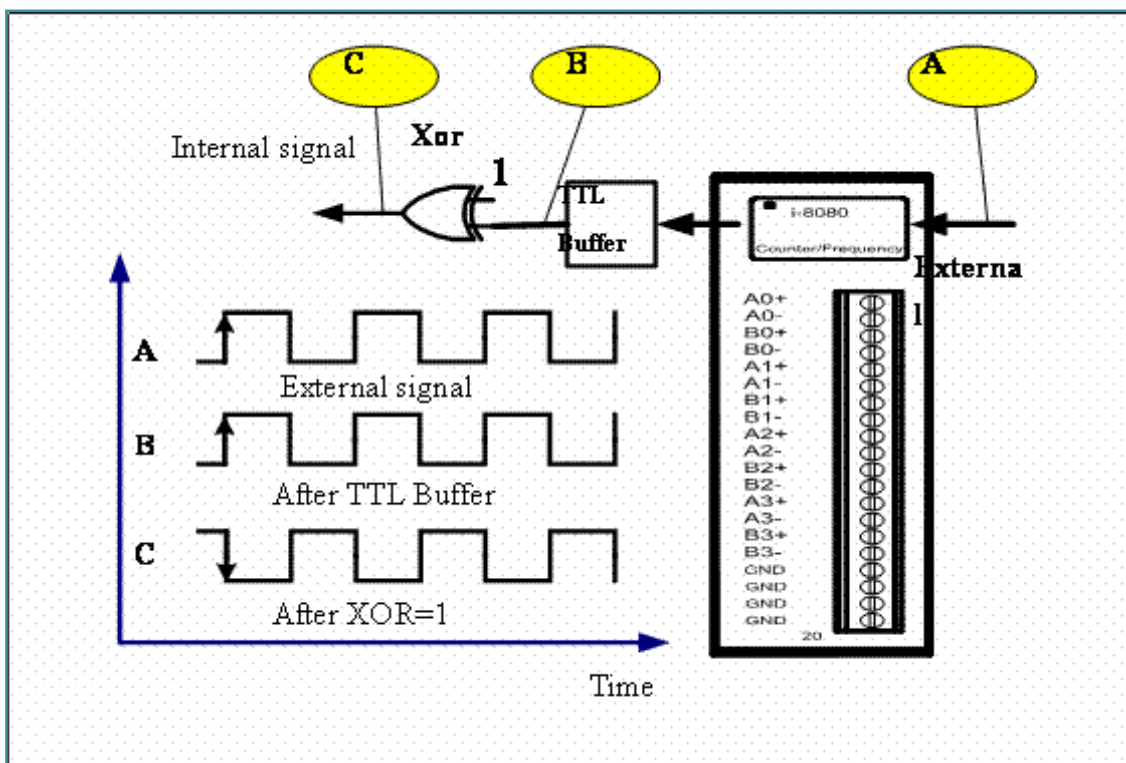
The solution is shown below.



2. TTL Input (XOR=1)

When an external TTL signal is input into an 8084 module through the TTL mechanism, the signal will be the same as the external signal. This internal signal isn't the recommended waveform as it must execute the exclusive OR (XOR=1) operation.

The solution is shown below.

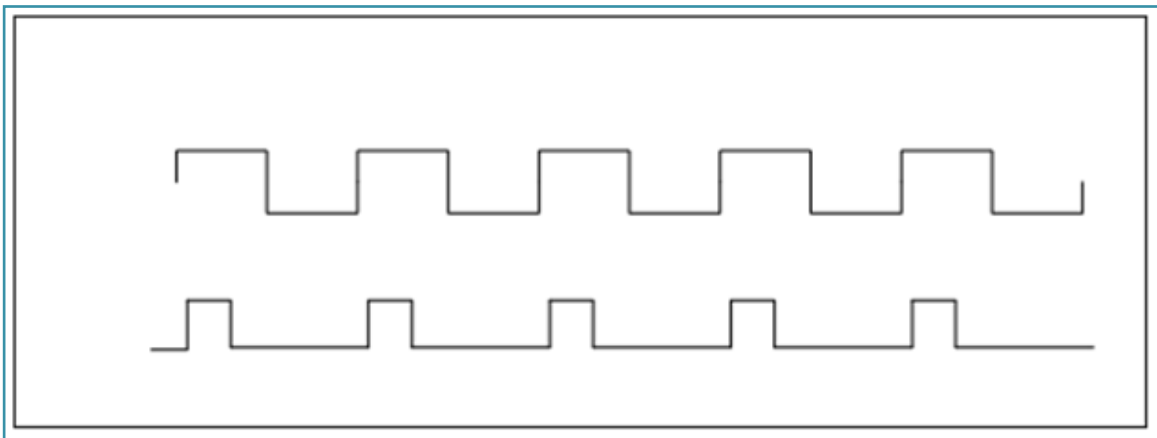


3. Always XOR=0

Regardless of whether the input signal is TTL or isolated, XOR is always set to 0, and the maximum count error can only be 1. XOR=0 can be used for all cases, if a 1-count error is acceptable.

Note:

- When XOR=0 and the 8084 module status is OPEN status (i.e. no signals on the input terminal) , regardless of whether you select the TTL or Isolated mode, the signal at the C point will always be 1. Similarly, if XOR=1 and the status is OPEN, then the signal at the C point will always be 0.
- If the input signal is a pulse rather than a 50/50 duty cycle square waveform, then the 1-count error will not occur as the pulse width is shorter..



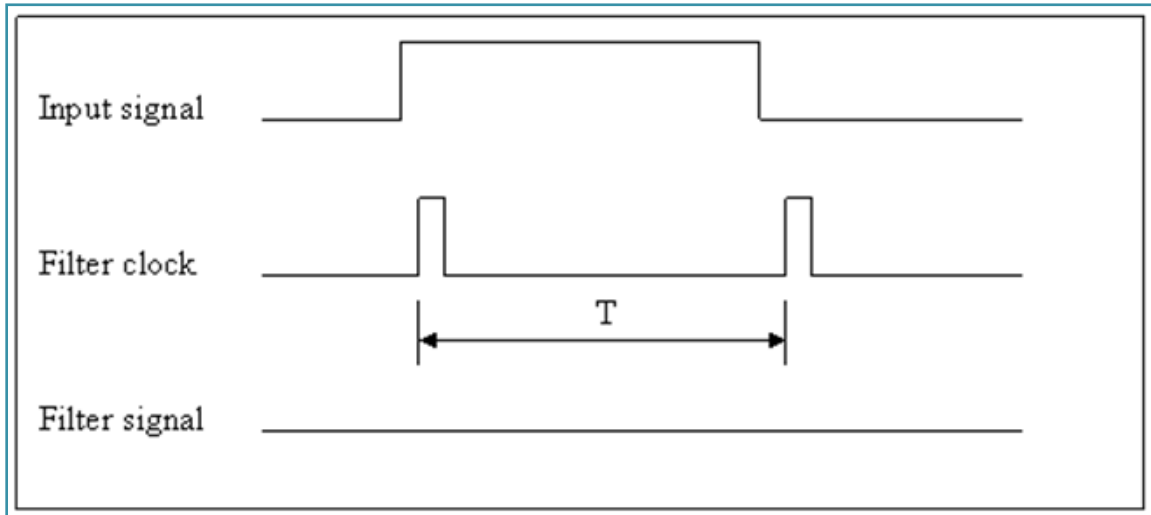
2.2. Digital Low Pass Filter

The 8084 has three independent 2nd-order digital noise filters, LP0, LP1 & LP2, to remove noises as follows:

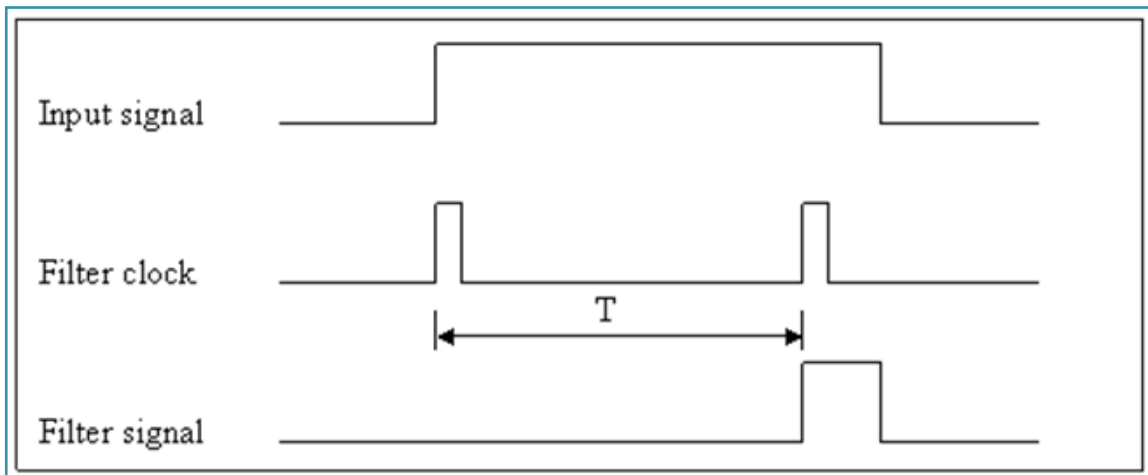
Channel	Low Pass Filter
A0	Low Pass Filter 0
B0	Low Pass Filter 0
A1	Low Pass Filter 1
B1	Low Pass Filter 1
A2	Low Pass Filter 2
B2	Low Pass Filter 2
A3	Low Pass Filter 2
B3	Low Pass Filter 2

- The Low Pass Filter can be either disabled or programmable from 2 μ s to 65535 μ s.
- The Low Pass Filter will apply to all working modes, counter or frequency.
- These 3 Low Pass Filters are disabled status in the default shipping. User defined program can be used to issue a command to enable or disable the filters.
- Assume that the filter clock of the Low Pass Filter is set to T, this clock is used to sample the input signal.

- If one of the adjacent 2 samples is low, then the input signal will be removed as follows:

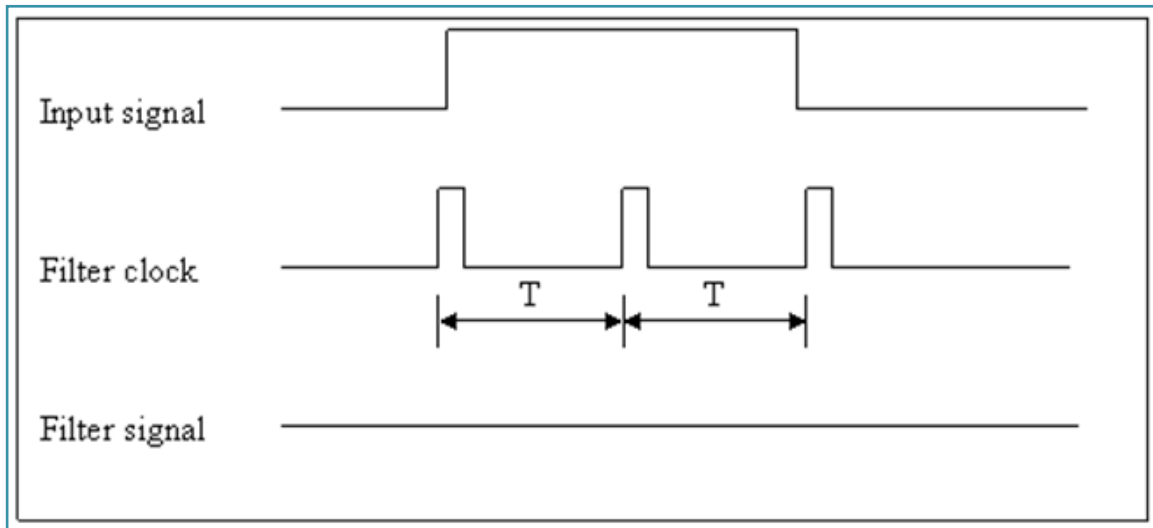


- If the high width of the input signal is shorter than T , it will be filtered.
- If the adjacent 2 samples are all HIGH, the input signal can pass as indicated below:



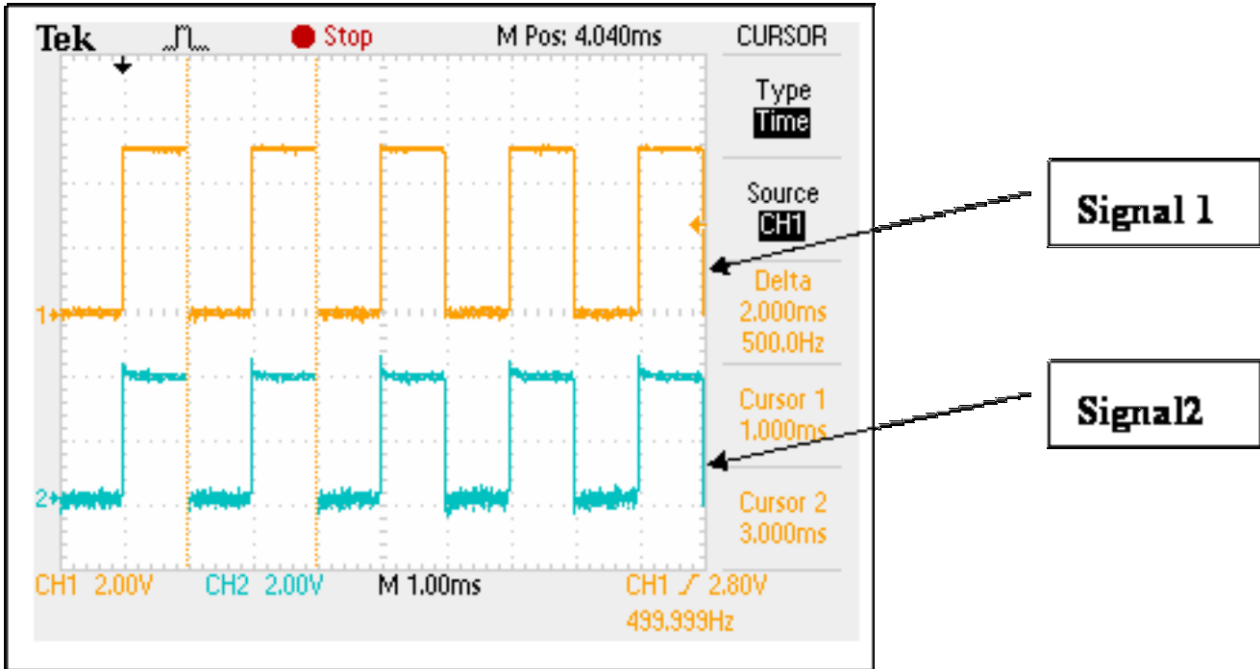
Note: the filter signal is shorter than the original input signal.

- If the input signal is shorter than $2T$, it may be filtered in the following manner:



- The relationship between the input signal and the filter signal is as follows:
 - if $(2T < \text{input signal})$, it will pass
 - if $(T \leq \text{input signal} \leq 2T)$, it may be filtered or passed
 - if $(\text{input signal} < T)$, it will be filtered
- The software driver, `i8084_SetLowPassUs` (int Slot, int Channel, unsigned int Us), provides an parameter, Us which can be used to set the Low Pass Filter as follows:
 - if $Us=1$ and $2T = 1\mu\text{s}$ then $T = 0.5\mu\text{s}$ and $\text{signal} \leq 0.5\mu\text{s}$ will be removed
 - if $Us=2$ and $2T = 2\mu\text{s}$ then $T = 1\mu\text{s}$ and $\text{signal} \leq 1\mu\text{s}$ will be removed
 - if $Us=N$, N from 1 to $0x7fff$ and $2T = N\mu\text{s}$ then $\text{signal} \leq (N/2)\mu\text{s}$ will be removed
- The Low Pass Filter range can be configured from $1\mu\text{s}$ to $32767\mu\text{s}$. The high width of the signal $< (Us/2)$ will be removed.

For example, if you use a function generator as signal source, the 500Hz signal & 50/50 duty cycle will generate a 1000 μ s high & 1000 μ s low as follows:



Input signal=500Hz & Low Pass Filter Disable

Signal 1 =

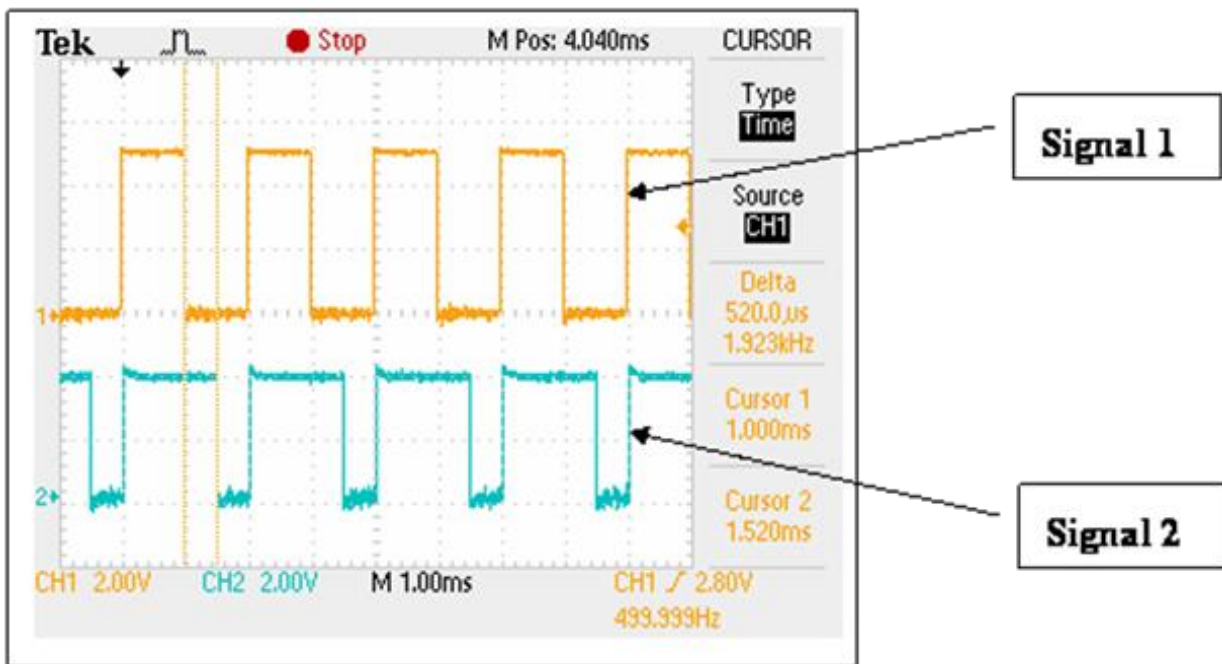
input signal=500Hz, 50/50 duty cycle

Signal 2 =

input signal after Xor and Low Pass Filter, now Xor=0 and Low Pass Filter is disable.

If the Low Pass Filter is disabled, signal 2 will be the same as signal 1 in the above diagram.

If the Low Pass Filter is enabled, signal 2 will be shorter than signal 1 as shown below:



Input signal=500Hz & Low Pass Filter Enabled=1μs

Signal 1 =

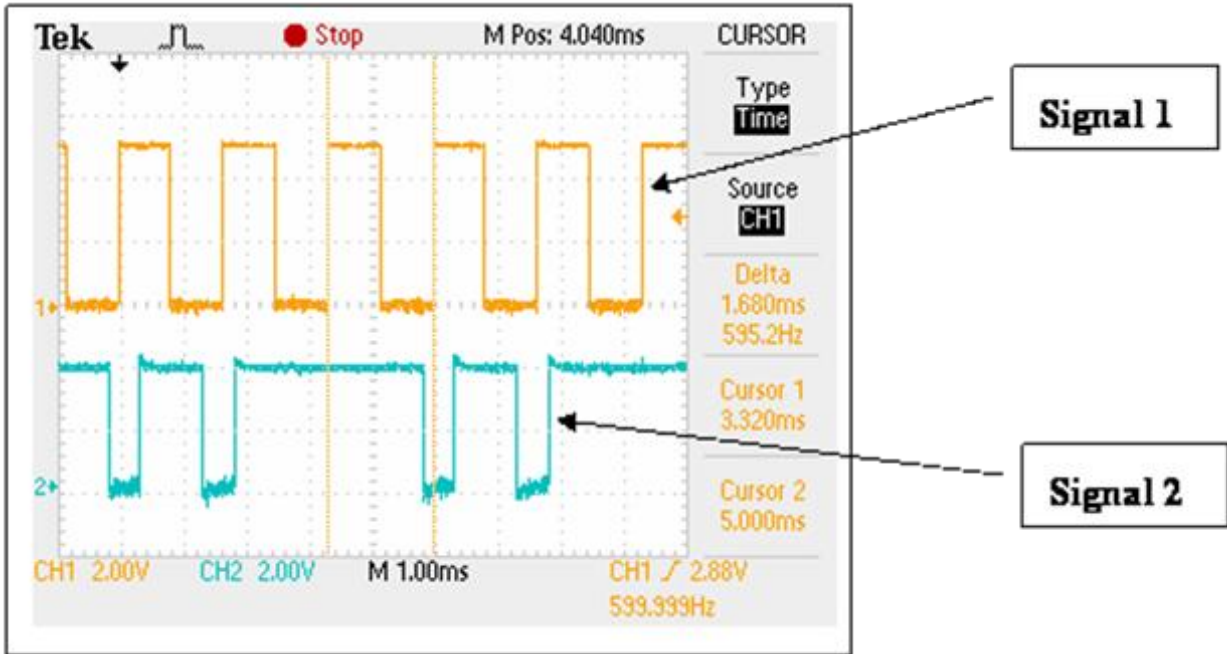
input signal=500Hz, 50/50 duty cycle

Signal 2 =

input signal after Xor and Low Pass Filter, now Xor=0 and the Low Pass Filter is enabled.

Nearly all pulses are passed.

Now you can find that nearly all pulses are passed. If the input signal is increased to 600Hz, then some of the pulses are filtered as follows:



Input signal=600Hz & Low Pass Filter Enabled=1 μ s

Signal 1 =

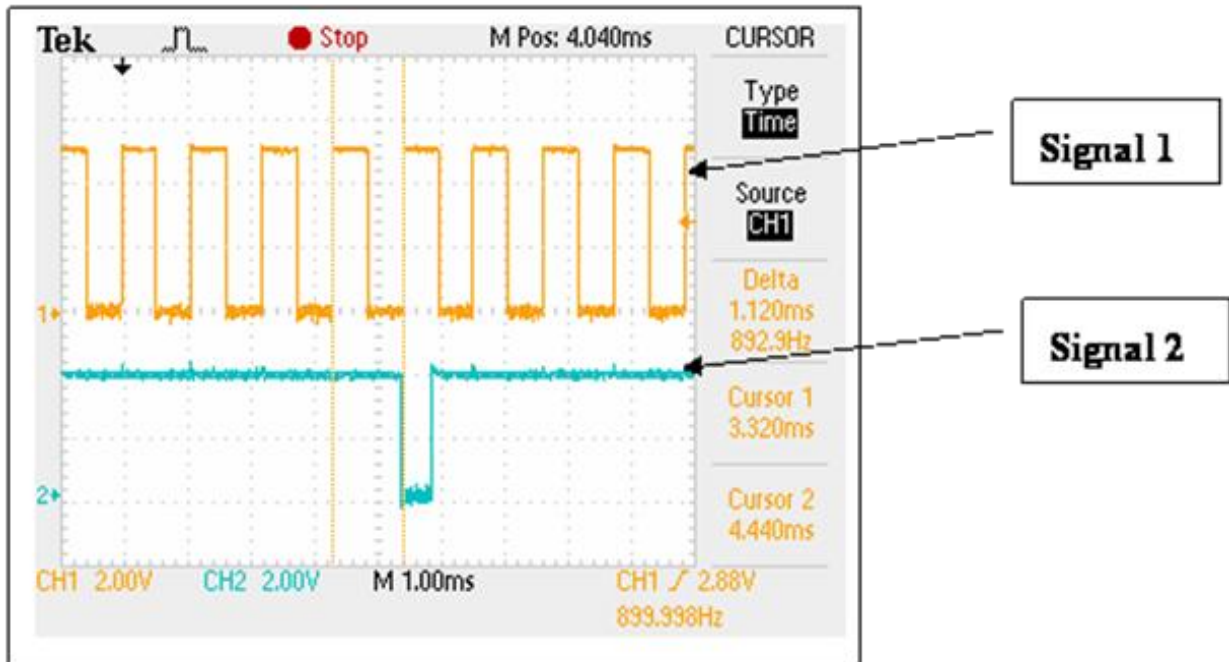
input signal=600Hz, 50/50 duty cycle.

Signal 2 =

input signal after Xor and Low Pass Filter, now Xor =0 and Low Pass Filter is enabled.

Some pulses are filtered.

If the input signal is increased to 900Hz, then nearly all pulses are filtered as illustrated below:



Input signal=900Hz & Low Pass Filter Enabled=1 μ s

Signal 1 =

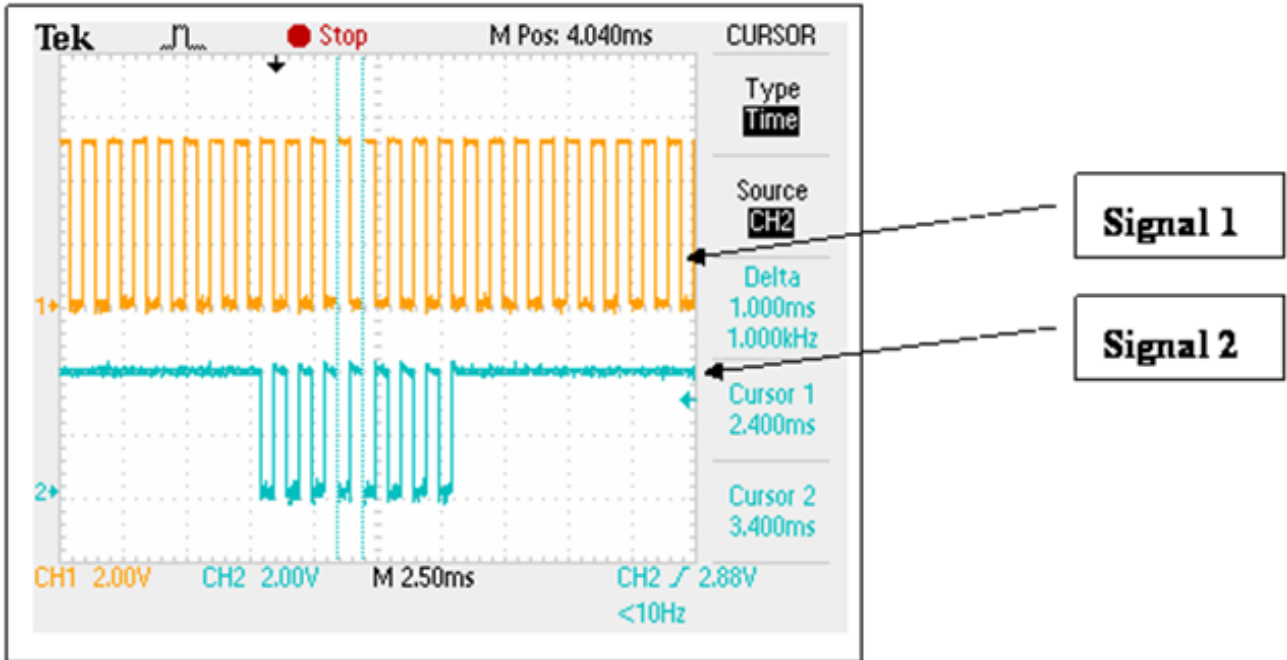
input signal=900Hz, 50/50 duty cycle

Signal 2 =

input signal after Xor and Low Pass Filter, now Xor=0 and the Low Pass Filter is enabled.

Nearly all pulses are filtered.

Because there are some frequency offset errors in the internal crystal, there may be some noises when the input signal width = Low Pass Filter/2 as follows:



Input signal=1000Hz & Low Pass Filter Enabled=1 μ s

Signal 1 =

input signal=1000Hz, 50/50 duty cycle à pulse width=500 μ s

Signal 2 =

input signal after Xor and Low Pass Filter, now Xor=0 and the Low Pass Filter is enabled. Signal Pulse=500 μ s=Low Pass Filter/2.

Nearly all pulses are filtered, but sometimes certain noises will not be filtered.

If the input signal is increased to 1100Hz, then all pulses will be filtered as shown in Figure 1-12:



Input signal=1100Hz & Low Pass Filter Enabled= $1\mu\text{s}$

In summary, apply the minimum 1µs on Low Pass Filters.

The result of the signal being processed by the Low Pass Filter as follows:

Input signal frequency(Hz)	After Low Pass Filter processing	Reference
Input signal <500Hz (Low Pass Filter=1µs)	All signals will be passed	Figure 1
Input signal =500Hz (Low Pass Filter=1µs)	All signals should be passed	Figure 2
Input signal =600Hz (Low Pass Filter=1µs)	Some signals will be filtered and some will be passed	Figure 3
Input signal =900Hz (Low Pass Filter=1µs)	Many signals will be filtered and few will be passed	Figure 4
Input signal =1000Hz (Low Pass Filter=1µs)	Nearly all signals are filtered	Figure 5
Input signal =1100Hz (>1k Hz) (Low Pass Filter=1µs)	All signals will be filtered	Figure 6

For the same reason, if the signal pulse=Low Pass Filter, certain pulses may be filtered. Therefore, it is recommended to set the cycle time of Low Pass Filter about 5% less than the cycle time of input signal pulse as shown below:

Input pulse = 1 ms = 1000 µs à set Low Pass Filter <=950 µs

if Input pulse = 100 µs , set Low Pass Filter <= 95 µs

The minimum Low Pass Filter = 1 µs , input signal < 475K, 50/50 duty cycle

As a result, the maximum speed of the 8084 is recommended to 450K, 50/50 duty cycle

2.3. Operation Mode

Operation Mode	Description	Number of counter and frequency sets
00	Dir/Pulse counting mode	4 sets
01	Up/Down counting mode	4 sets
02	Frequency mode	8 sets
03	Up counting mode	8 sets
04	Quadrant Counting mode	4 sets

The input channels mapping table and working modes are indicated below:

	Mode 00	Mode 01	Mode 02	Mode 03	Mode 04
A0	Pulse 0	Up 0	Frequency 0	Up 0	A0
B0	Dir 0	Down 0	Frequency 1	Up 1	B0
A1	Pulse 2	Up 2	Frequency 2	Up 2	A1
B1	Dir 2	Down 2	Frequency 3	Up 3	B1
A2	Pulse 4	Up 4	Frequency 4	Up 4	A2
B2	Dir 4	Down 4	Frequency 5	Up 5	B2
A3	Pulse 6	Up 6	Frequency 6	Up 6	A3
B3	Dir 6	Down 6	Frequency 7	Up 7	B3

CountN =

the counter value for channel N, 32bit wide, from -2147483648 to 2147483647

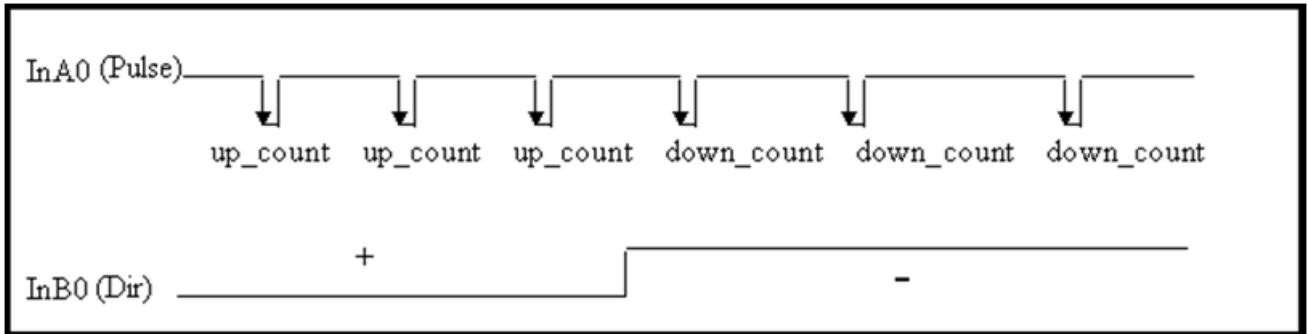
OverflowN =

the counting overflow number for channel N, 16bit wide, from -32768 to 32767

Total Counting Value bit = 32bit + 16bit = 48bit

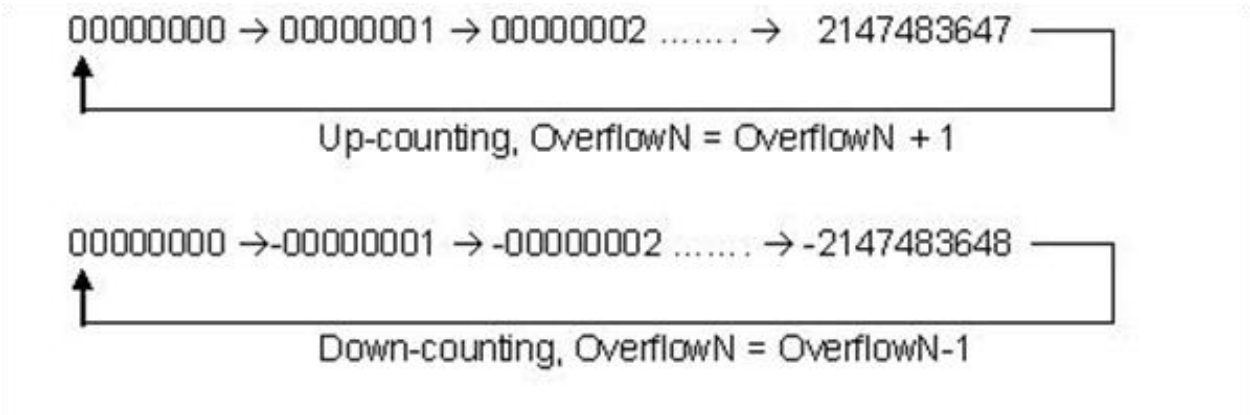
2.3.1. Mode 00: Pulse /Dir Counting

The counter operation for mode 00 (Dir/Pulse mode) is as follows:



- When InB0 is used as Dir, if InB0 is High, counter_0 will be increased by one for every falling edge of InA0.
- If InB0 is Low, counter_0 will be decreased by one for every falling edge of InA0.

The counter operation is given as follows:



Pulse/Dir Counter	Counting Variable	Total Counting Value
A0, B0	Count0, Overflow0	Count0 + Overflow0 * 2147483648
A1, B1	Count2, Overflow2	Count2 + Overflow2 * 2147483648
A2, B2	Count4, Overflow4	Count4 + Overflow4 * 2147483648
A3, B3	Count6, Overflow6	Count6 + Overflow6 * 2147483648

CountN =

the counter value for channel N, 32bit wide, from -2147483648 to 2147483647

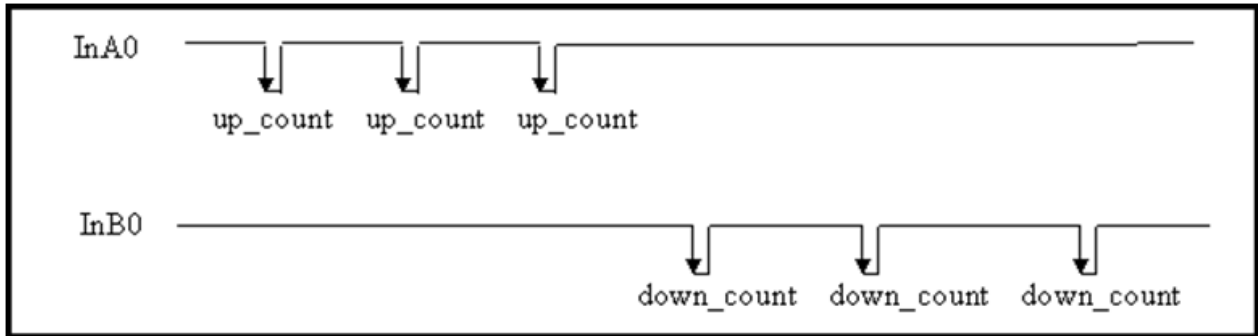
OverflowN =

the counting overflow number for channel N, 16bit wide, from -32768 to 32767

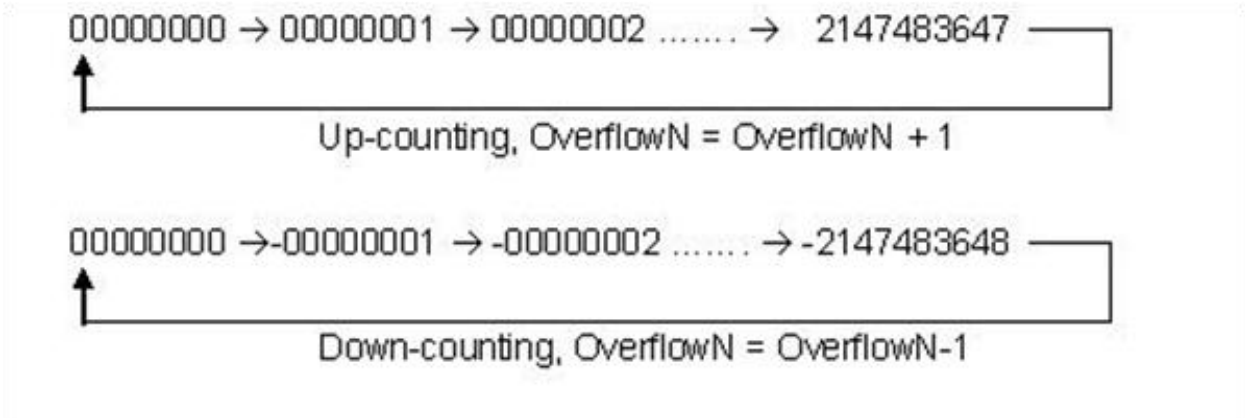
Total Counting Value bit = 32bit + 16bit = 48bit

2.3.2. Mode 01: Up/Down Counting

The counter operation for mode 01 (Up/Down mode) is as follows:



When InA0 is used as a UP_clock and InB0 is used as a DOWN_clock. The counter_0 will be increased by one for every falling edge of InA0 and decreased by one for every falling edge of InB0.



Up/Down Counter	Counting Variable	Total Counting Value
A0, B0	Count0, Overflow0	Count0 + Overflow0 * 2147483648
A1, B1	Count2, Overflow2	Count2 + Overflow2 * 2147483648
A2, B2	Count4, Overflow4	Count4 + Overflow4 * 2147483648
A3, B3	Count6, Overflow6	Count6 + Overflow6 * 2147483648

CountN =

the counter value for channel N, 32bit wide, from -2147483648 to 2147483647

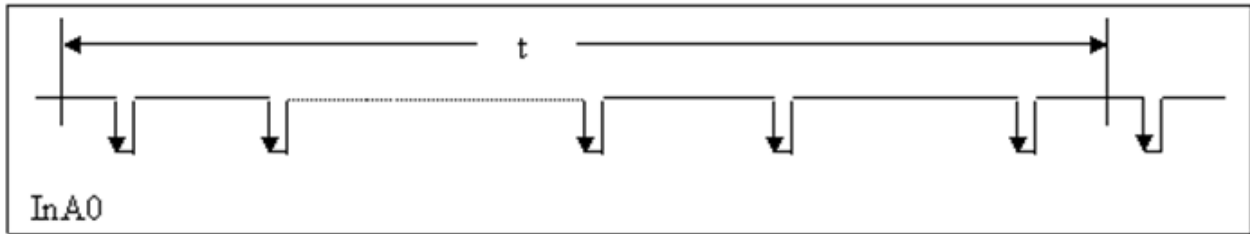
OverflowN =

the counting overflow number for channel N, 16bit wide, from -32768 to 32767

Total Counting Value bit = 32bit + 16bit = 48bit

2.3.3.Mode 02: Frequency Mode

The frequency operation for mode 02 is as follows:



Frequency	Frequency Variable
A0	Frequency0
B0	Frequency1
A1	Frequency2
B1	Frequency3
A2	Frequency4
B2	Frequency5
A3	Frequency6
B3	Frequency7

Period of update time $t = 0.33$ second is the default setting. A user defined command can be used to change the value of t for special applications.

$$\text{Frequency} = \text{Counter value} / \text{Period of scan time } t$$

Assume $t = 0.1$ seconds,

If count = 1 à frequency = $1/(0.1/1) = 10$ Hz

If count = 10 à frequency = $1/(0.1/10) = 100$ Hz

All frequency channels will be updated every 0.1 seconds for t= 0.1 seconds.

The software driver provides three ways to adjust t.

They are Auto select, Low and High Frequency. (The default is Auto select)

The default configuration data is as follows:

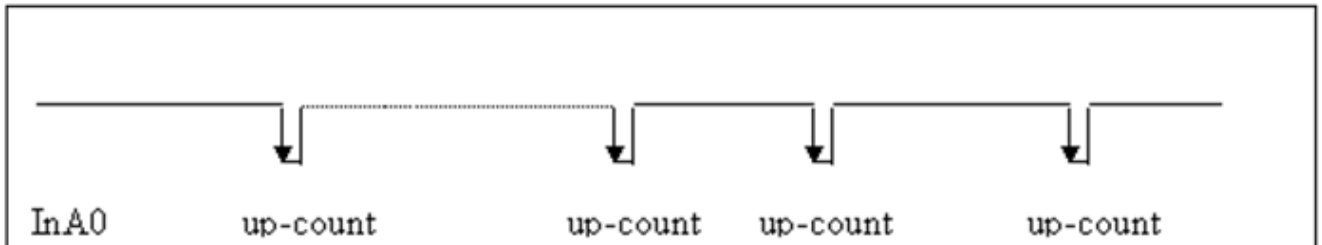
Auto Frequency = the frequency channel will be updated every 330 million seconds;

Low Frequency = the frequency channel will be updated every 1000 million seconds;

High Frequency = the frequency channel will be updated every 100 million seconds;

2.3.4.Mode 03: Up Counting

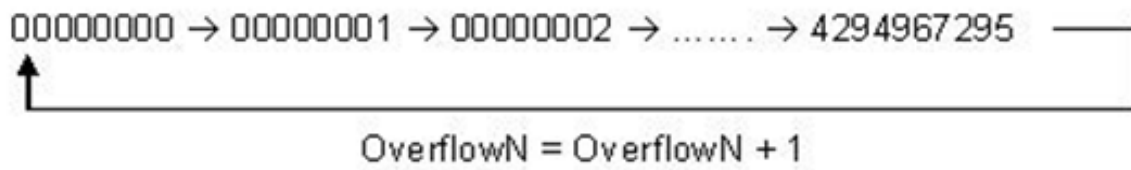
The counter operation for mode 03 is as follows:



Counter_0 will increment by one for every falling edge of InA0

Up Counter	Counting Variable	Total Counting Value
A0	Count0, Overflow0	$\text{Count0} + \text{Overflow0} * 4294967296$
B0	Count1, Overflow1	$\text{Count1} + \text{Overflow1} * 4294967296$
A1	Count2, Overflow2	$\text{Count2} + \text{Overflow2} * 4294967296$
B1	Count3, Overflow3	$\text{Count3} + \text{Overflow3} * 4294967296$
A2	Count4, Overflow4	$\text{Count4} + \text{Overflow4} * 4294967296$
B2	Count5, Overflow5	$\text{Count5} + \text{Overflow5} * 4294967296$
A3	Count6, Overflow6	$\text{Count6} + \text{Overflow6} * 4294967296$
B3	Count7, Overflow7	$\text{Count7} + \text{Overflow7} * 4294967296$

The counter operation is as follows:



CountN =

current counter value for channel N, 32bit wide, from 0 to 4294967295

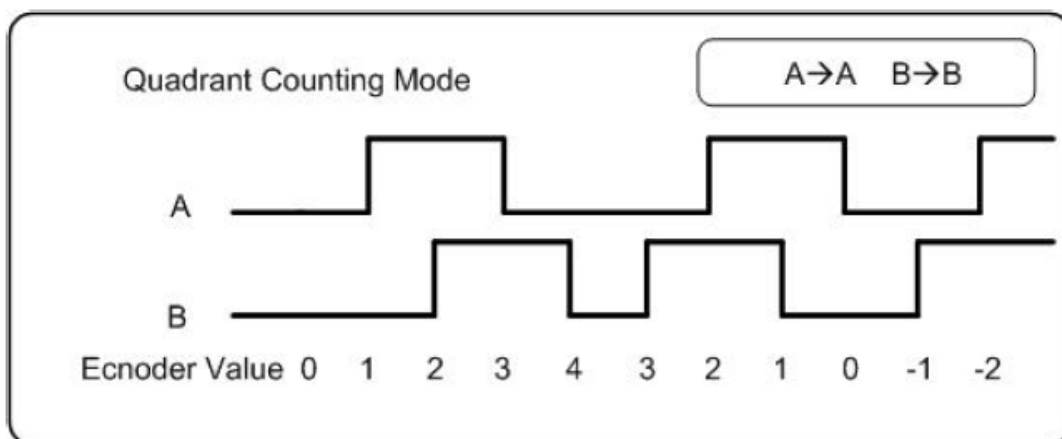
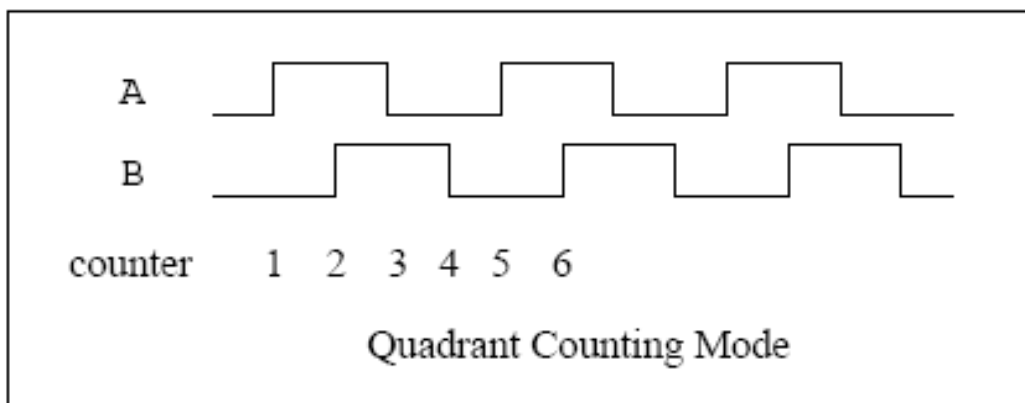
OverflowN =

The counting overflow number for channel N, 16bit wide, from 0 to 65535

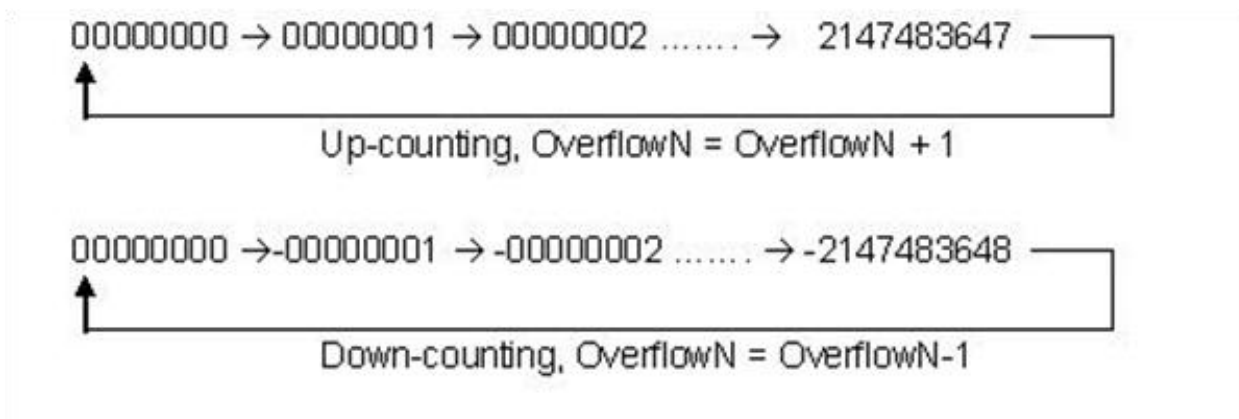
Total Counting Value = CountN + OverflowN * 4294967296

Total Counting Bit = 32bit + 16bit = 48bit

2.3.5.Mode 04: Quadrant Counting



When InA0 is used as a UP_clock and InB0 is used as a DOWN_clock. The counter_0 will be increased by one for every falling edge of InA0 and decreased by one for every falling edge of InB0.



3. Usage on the iPAC-8000

iPAC Introduction and Software Development

8084W can be plugged on the IPAC-8000 . Please refer to the Web site

<http://www.icpdas.com/products/PAC/i-8000/ip-8x41.htm>

or view the iPAC-8000 User manual for getting more information :

<http://ftp.icpdas.com/pub/cd/8000cd/napdos/ipac8000/document/>

Software Development using C language

Please refer to the Web site

http://ftp.icpdas.com/pub/cd/8000cd/napdos/ipac8000/c_language_guide_eng.html

8084W Demo and library for IPAC-8000

The latest library and demo as below:

Library :

<http://ftp.icpdas.com/pub/cd/8000cd/napdos/ipac8000/demo/basic/lib/>

Demo :

http://ftp.icpdas.com/pub/cd/8000cd/napdos/ipac8000/demo/basic/io_in_slot/8084/

3.1. i8084W_GetLibVersion

Get the version number of i8084 library (Hex) Rev:1.0.00

Syntax

```
int i8084W_GetLibVersion(void);
```

3.2. i8084W_GetLibDate

Get the date of 8084 library ,Sep 03 2003

Syntax

```
Void i8084W_GetLibDate(char* LibDate);
```

3.3. i8084W_InitDriver

Configure the 8084 with the setting stored in the EEPROM.

If there is no settings stored in the EEPROM, the function will call `i8084W_RecoverDefaultSetting`.

Syntax

```
int i8084W_InitDriver(int Slot);
```

Parameter and Return Values

Slot:

0~7

Return:

0 → OK

-1 → Module not found

>0 → Some Pulse/Dir counters have one count offset (+1)

Bit0=1 □ A0 has one count offset (+1)

Bit2=1 □ A1 has one count offset (+1)

Bit4=1 □ A2 has one count offset (+1)

Bit6=1 □ A3 has one count offset (+1)

(due to the input channel is high)

3.4. i8084W_SetChannelMode

Syntax

```
int i8084W_SetChannelMode(int Slot, int Channel, int Mode);
```

Parameter and Return Values

Slot:

0 ~ 7

Channel:

0 ~ 7

Mode:

0 → Dir/Pulse Counter

1 → Up/Down Counter

2 → Frequency

3 → Up Counter

Return:

0 → No error

1 → The Pulse/Dir counter has one count offset (+1)

(due to the input channel is high)

3.5. i8084W_AutoScan

Auto scan the i8084 to updates 8 channels.

Syntax

```
int i8084W_AutoScan(void);
```

Parameter and Return Values

Remark

This function is used to update the hardware counter values.

The hardware counter is 16-bit.

User's code must call the function or i8084W_ReadCntPulseDir, i8084W_ReadCntUpDown, i8084W_ReadFreq, i8084W_ReadCntUp before the hardware counter is overflow.

Under very high speed signal input, for example: 450K Hz, the 16-bit counter is overflow round 145 ms.

To avoid the overflow situation, user's code is recommended to call i8084W_AutoScan every 70 ms.

3.6. i8084W_ReadCntABPhase

Syntax

```
int i8084W_ReadCntABPhase(int Slot, int Channel, long *Cnt32U, int *Overflow);
```

3.7. i8084W_ReadCntPulseDir

Read Pulse/Dir Counter

Syntax

```
int i8084W_ReadCntPulseDir(int Slot, int Channel, long *Cnt32U, int *Overflow);
```

Parameter and Return Values

Slot:

0 ~ 7

Channel:

0 ~ 7

Cnt32L =

32-bit → UpDown Counter

Bit31 = 0 → Up Count (count > 0)

Bit31 = 1 → Down Count (count < 0)

Overflow =

number of overflow

Total count

= over * 0x80000000 + count

Example A:

Over = 1, count = 16384,

total count = (1) * 0 x 80000000 + 16384 = 2147500032

Example B:

Over = -1 , count = -8192,

total count = (-1)*0x80000000 -8192 = -2147491840

3.8. i8084W_ReadCntUpDown

Read UpDown Counter

Syntax

```
int i8084W_ReadCntUpDown(int Slot, int Channel, long *Cnt32U, int *Overflow);
```

Parameter and Return Values

Slot:

0 ~ 7

Channel:

0 ~ 7

Cnt32L =

32-bit → UpDown Counter

Bit31 = 0 → Up Count (count > 0)

Bit31 = 1 → Down Count (count < 0)

Overflow =

number of overflow

Total count

= over * 0 x 80000000 + count

Example A:

Over = 1 , count = 16384,

$$\text{total count} = (1) * 0 \times 80000000 + 16384 = 2147500032$$

Example B:

$$\text{Over} = -1, \text{ count} = -8192,$$

$$\text{total count} = (-1) * 0 \times 80000000 - 8192 = -2147491840$$

3.9. i8084W_ReadFreq

Syntax

```
int i8084W_ReadFreq(int Slot, int Channel, unsigned long *Freq);
```

```
int i8084W_ReadFreq(int Slot, int Channel, float *Freq);
```

Parameter and Return Values

Slot:

0 ~ 7

Channel:

0 ~ 7

Freq:

Unit = Hz

3.10. i8084W_ReadCntUp

Read Up Counter

Syntax

```
int i8084W_ReadCntUp(int Slot, int Channel, unsigned long *Cnt32U, unsigned int  
*OverFlow);
```

Parameter and Return Values

Slot:

0 ~ 7

Channel:

0 ~ 7

Cnt32U =

32-bit Up Counter

Overflow =

number of Overflow

Total count =

over * 0x100000000 + count

ExampleA:

over=1 , count=16384,

total count = (1)*0x100000000 +16384 = 4294983680

3.11. i8084W_ClrCnt

Clear Counter

Syntax

```
int i8084W_ClrCnt(int Slot, int Channel);
```

Parameter and Return Values

Slot:

0 ~ 7

Channel:

0 ~ 7

Return:

0 → No error

1 → The Pulse/Dir counter has one count offset (+1).

It is due to the pulse channel is high.

The correct initial situation is:

Pulse channel is low or open

dir signal is high or low.

3.12. i8084W_RecoverDefaultSetting

Syntax

```
void i8084W_RecoverDefaultSetting(int Slot);
```

Parameter and Return Values

Slot:

0 ~ 7

Remark

Default settings:

XOR register=0

Channel mode= 3 (Up counter mode)

Frequency operate mode = 0 (Auto mode)

Frequency update time: Auto mode = 330 ms

Low freq mode = 1000 ms

High freq mode = 100 ms

Low Pass Filter status = disable

Low Pass Filter signal width = 1 ms

3.13. i8084W_ReadXorRegister

Syntax

```
int i8084W_ReadXorRegister(int Slot, int Channel, int *XorReg);
```

Parameter and Return Values

Slot:

0 ~ 7

Channel:

0~7

XorReg:

0 → Low active (signal from High to Low, count changed)

1 → High active (signal from Low to High, count changed)

Return:

0 → OK

Others → Error codes

3.14. i8084W_SetXorRegister

Syntax

```
int i8084W_SetXorRegister(int Slot, int Channel, int XorReg);
```

Parameter and Return Values

Slot:

0 ~ 7

Channel:

0~7

XorReg:

0 → Low active (signal from High to Low, count count changed)

1 → High active (signal from Low to High, count changed)

Return:

0 → No error

1 → The Pulse/Dir counter has one count offset (+1)

(due to the input channel is high)

3.15. i8084W_ReadChannelMode

Syntax

```
int i8084W_ReadChannelMode(int Slot, int Channel, int *Mode);
```

Parameter and Return Values

Slot:

0 ~ 7

Channel:

0~7

Mode:

0 → Dir/Pulse Counter

1 → Up/Down Counter

2 → Frequency

3 → Up Counter

3.16. i8084W_ReadLowPassFilter

Read Low Pass Filter

Syntax

```
int i8084W_ReadLowPassFilter_Us(int Slot, int Channel, unsigned int *Us);
```

Parameter and Return Values

Slot:

0 ~ 7

Channel:

0~7

Us:

1~32767, pulse width, unit = 0.001 ms

3.17. i8084W_SetLowPassFilter

Set Low Pass Filter

Syntax

```
int i8084W_SetLowPassFilter_Us(int Slot, int Channel, unsigned int Us);
```

Parameter and Return Values

Slot:

0 ~ 7

Channel:

0~7

Us:

1~32767, pulse width, unit = micro second

3.18. i8084W_ReadLowPassFilter_Status

Syntax

```
void i8084W_ReadLowPassFilter_Status(int Slot,int Channel,int *Status);
```

Parameter and Return Values

Slot:

0 ~ 7

Channel:

0~7

Status:

0 = disable

1 = enable

3.19. i8084W_SetLowPassFilter_Status

Syntax

```
void i8084W_SetLowPassFilter_Status(int Slot,int Channel,int Status);
```

Parameter and Return Values

Slot:

0 ~ 7

Channel:

0~7

Status:

0 = disable

1 = enable

3.20. i8084W_ReadFreqMode

Syntax

```
void i8084W_ReadFreqMode(int Slot, int Channel, int *Mode);
```

Parameter and Return Values

Slot:

0 ~ 7

Channel:

0~7

*Mode:

0 = Auto

1 = Low Frequency

2 = High Frequency

3.21. i8084W_SetFreqMode

Syntax

```
void i8084W_SetFreqMode(int Slot, int Channel, int Mode);
```

Parameter and Return Values

Slot:

0 ~ 7

Channel:

0~7

*Mode:

0 = Auto

1 = Low Frequency

2 = High Frequency

3.22. i8084W_ReadFreqUpdateTime

Reads the update time used by frequency measurement algorithm

Syntax

```
void i8084W_ReadFreqUpdateTime(int Slot, int *AutoMode_UpdateTime ,  
int *LowMode_UpdateTime, int *HighMode_UpdateTime);
```

Parameter and Return Values

Slot:

0 ~ 7

AutoMode_UpdateTime =

time period for Auto mode, unit: ms

LowMode_UpdateTime =

time period for Low Frequency mode, unit: ms

HighMode_UpdateTime =

time period for High Frequency mode, unit: ms

3.23. i8084W_SetFreqUpdateTime

Sets the update time used by frequency measurement algorithm

Syntax

```
int i8084W_SetFreqUpdateTime(int Slot, int AutoMode_UpdateTime, int  
LowMode_UpdateTime, int HighMode_UpdateTime);
```

Parameter and Return Values

Slot:

0 ~ 7

AutoMode_UpdateTime =

time period for Auto mode, unit: ms

LowMode_UpdateTime =

time period for Low Frequency mode, unit: ms

HighMode_UpdateTime =

time period for High Frequency mode, unit: ms

3.24. i8084W_ReadFreqTimeoutValue

Syntax

unsigned short i8084W_ReadFreqTimeoutValue(int Slot, int Channel);

Parameter and Return Values

3.25. i8084W_SetFreqTimeoutValue

Syntax

```
void i8084W_SetFreqTimeoutValue(int Slot, int Channel, unsigned short  
TimeOutValue );
```

Parameter and Return Values

3.26. i8084W_ReadDI_Xor

Syntax

```
int i8084W_ReadDI_Xor(int Slot, int *DI);
```

Parameter and Return Values

Slot:

0 ~ 7

*DI: Bit0 = DI of A0 after XorControl

*DI: Bit1 = DI of B0 after XorControl

...

*DI: Bit7 = DI of B3 after XorControl

Return:

0 → OK

<> 0 → Error codes

3.27. i8084W_ReadDI_XorLPF

Syntax

```
int i8084W_ReadDI_XorLPF(int Slot, int *DI);
```

Parameter and Return Values

Slot:

0 ~ 7

*DI: Bit0 = DI of A0 after XorControl & Low Pass Filter

*DI: Bit1 = DI of B0 after XorControl & Low Pass Filter

...

*DI: Bit7 = DI of B3 after XorControl & Low Pass Filter

Return:

0 → OK

<> 0 → Error codes

3.28. i8084W_EepWriteEnable

Write_Enable EEPROM

Syntax

```
int i8084W_EepWriteEnable(int Slot);
```

Parameter and Return Values

Slot:

0 ~ 7

Return:

0 → OK

Others → Error codes

3.29. i8084W_EepWriteDisable

Write_Disable EEPROM

Syntax

```
int i8084W_EepWriteDisable(int Slot);
```

Parameter and Return Values

Slot:

0 ~ 7

Return:

0 → OK

Others → Error codes

3.30. i8084W_EepWriteWord

Write 16-bit data to EEP

Syntax

```
int i8084W_EepWriteWord(int Slot, int Addr, int Value);
```

Parameter and Return Values

Slot:

0 ~ 7

Addr:

0~39 for users

40~63 for 8084 configuration

Value = two bytes integer

Return:

0 → OK

-1 → Address error

3.31. i8084W_EepReadWord

Read 16-bit data to EEP

Syntax

```
int i8084W_EepReadWord(int Slot, int Addr, int *Value);
```

Parameter and Return Values

Slot:

0 ~ 7

Addr:

0~39 for users

40~63 for 8084 configuration

Value = two bytes integer

Return:

0 → OK

-1 → Address error

4. Usage on the WinPAC-8000

WinPAC Introduction and software Development

WinPAC-8000 Introduction and user manual

8084W can be plugged on the WinPAC-8000 . Please refer to Web site

<http://www.icpdas.com/products/PAC/winpac/introduction.htm>

or view the WinPAC User manual for getting more information

http://ftp.icpdas.com/pub/cd/winpac/napdos/wp-8x4x_ce50/document/

Software Development using eMbedded Visual C++ or .NET

Both eMbedded Visual C++ and Visual Studio .NET can develop the program on the WinPAC-8000. Please refer to the Web site:

http://www.icpdas.com/products/PAC/winpac/download/winpac_8000/download_documents.htm

and select the necessary document

8084W Demo and library for WinPAC-8000

Please refer to this page to download WinPAC-8000I demo

http://www.icpdas.com/products/PAC/winpac/download/winpac_8000/download_demo.htm

The latest 8084W library and demo as below:

Library:

.Net

ftp://ftp.icpdas.com/pub/cd/winpac/napdos/wp-8x4x_ce50/sdk/io_modules/dotnet/

eVC:

ftp://ftp.icpdas.com/pub/cd/winpac/napdos/wp-8x4x_ce50/sdk/io_modules/evc/

Demo:

.NET:

ftp://ftp.icpdas.com/pub/cd/winpac/napdos/wp-8x4x_ce50/demo/winpac/dotnet/c%23/pac_io/local/

eVC:

ftp://ftp.icpdas.com/pub/cd/winpac/napdos/wp-8x4x_ce50/demo/winpac/evc/pac_io/local/

4.1. pac_i8084W_GetLibVersion

Get the version number of i8084 library (Hex) Rev:1.0.00

Syntax

```
int pac_i8084W_GetLibVersion(void);
```


4.2. pac_i8084W_GetLibDate

Get the date of 8084 library ,Sep 03 2003

Syntax

```
Void i8084W_GetLibDate(char* LibDate);
```

4.3. pac_i8084W_InitDriver

Configure the 8084 with the setting stored in the EEPROM.

If there is no settings stored in the EEPROM, the function will call `i8084W_RecoverDefaultSetting`.

Syntax

```
int i8084W_InitDriver(int Slot);
```

Parameter and Return Values

Slot:

0~7

Return:

0 → OK

-1 → Module not found

>0 → Some Pulse/Dir counters have one count offset (+1)

Bit0=1 □ A0 has one count offset (+1)

Bit2=1 □ A1 has one count offset (+1)

Bit4=1 □ A2 has one count offset (+1)

Bit6=1 □ A3 has one count offset (+1)

(due to the input channel is high)

4.4. pac_i8084W_SetChannelMode

Syntax

```
int pac_i8084W_SetChannelMode(int Slot, int Channel, int Mode);
```

Parameter and Return Values

Slot:

0 ~ 7

Channel:

0 ~ 7

Mode:

0 → Dir/Pulse Counter

1 → Up/Down Counter

2 → Frequency

3 → Up Counter

Return:

0 → No error

1 → The Pulse/Dir counter has one count offset (+1)

(due to the input channel is high)

4.5. pac_i8084W_ReadCntABPhase

Syntax

```
int pac_i8084W_ReadCntABPhase(int Slot, int Channel, long *Cnt32U, int *Overflow);
```

4.6. pac_i8084W_ReadCntPulseDir

Read Pulse/Dir Counter

Syntax

```
int pac_i8084W_ReadCntPulseDir(int Slot, int Channel, long *Cnt32U, int *Overflow);
```

Parameter and Return Values

Slot:

0 ~ 7

Channel:

0 ~ 7

Cnt32L =

32-bit → UpDown Counter

Bit31 = 0 → Up Count (count > 0)

Bit31 = 1 → Down Count (count < 0)

Overflow =

number of overflow

Total count

= over * 0 x 80000000 + count

Example A:

Over = 1 , count = 16384,

total count = (1) * 0 x 80000000 + 16384 = 2147500032

Example B:

Over = -1 , count = -8192,

total count = (-1)*0x80000000 -8192 = -2147491840

4.7. pac_i8084W_ReadCntUpDown

Read UpDown Counter

Syntax

```
int pac_i8084W_ReadCntUpDown(int Slot, int Channel, long *Cnt32U, int *Overflow);
```

Parameter and Return Values

Slot:

0 ~ 7

Channel:

0 ~ 7

Cnt32L =

32-bit → UpDown Counter

Bit31 = 0 → Up Count (count > 0)

Bit31 = 1 → Down Count (count < 0)

Overflow =

number of overflow

Total count

= over * 0 x 80000000 + count

Example A:

Over = 1 , count = 16384,

total count = (1) * 0 x 80000000 + 16384 = 2147500032

Example B:

Over = -1 , count = -8192,

total count = (-1)*0x80000000 -8192 = -2147491840

4.8. pac_i8084W_ReadFreq

Syntax

```
int pac_i8084W_ReadFreq(int Slot, int Channel, unsigned long *Freq);
```

```
int pac_i8084W_ReadFreq(int Slot, int Channel, float *Freq);
```

Parameter and Return Values

Slot:

0 ~ 7

Channel:

0 ~ 7

Freq:

Unit = Hz

4.9. pac_i8084W_ReadCntUp

Read Up Counter

Syntax

```
int pac_i8084W_ReadCntUp(int Slot, int Channel, unsigned long *Cnt32U, unsigned int  
*OverFlow);
```

Parameter and Return Values

Slot:

0 ~ 7

Channel:

0 ~ 7

Cnt32U =

32-bit Up Counter

Overflow =

number of Overflow

Total count =

over * 0x100000000 + count

ExampleA:

over=1 , count=16384,

total count = (1)*0x100000000 +16384 = 4294983680

4.10. pac_i8084W_ClrCnt

Clear Counter

Syntax

```
int pac_i8084W_ClrCnt(int Slot, int Channel);
```

Parameter and Return Values

Slot:

0 ~ 7

Channel:

0 ~ 7

Return:

0 → No error

1 → The Pulse/Dir counter has one count offset (+1).

It is due to the pulse channel is high.

The correct initial situation is:

Pulse channel is low or open

dir signal is high or low.

4.11. pac_i8084W_RecoverDefaultSetting

Syntax

```
void pac_i8084W_RecoverDefaultSetting(int Slot);
```

Parameter and Return Values

Slot:

0 ~ 7

Remark

Default settings:

XOR register=0

Channel mode= 3 (Up counter mode)

Frequency operate mode = 0 (Auto mode)

Frequency update time: Auto mode = 330 ms

Low freq mode = 1000 ms

High freq mode = 100 ms

Low Pass Filter status = disable

Low Pass Filter signal width = 1 ms

4.12. pac_i8084W_ReadXorRegister

Syntax

```
int pac_i8084W_ReadXorRegister(int Slot, int Channel, int *XorReg);
```

Parameter and Return Values

Slot:

0 ~ 7

Channel:

0~7

XorReg:

0 → Low active (signal from High to Low, count changed)

1 → High active (signal from Low to High, count changed)

Return:

0 → OK

Others → Error codes

4.13. pac_i8084W_SetXorRegister

Syntax

```
int pac_i8084W_SetXorRegister(int Slot, int Channel, int XorReg);
```

Parameter and Return Values

Slot:

0 ~ 7

Channel:

0~7

XorReg:

0 → Low active (signal from High to Low, count count changed)

1 → High active (signal from Low to High, count changed)

Return:

0 → No error

1 → The Pulse/Dir counter has one count offset (+1)

(due to the input channel is high)

4.14. pac_i8084W_ReadChannelMode

Syntax

```
int pac_i8084W_ReadChannelMode(int Slot, int Channel, int *Mode);
```

Parameter and Return Values

Slot:

0 ~ 7

Channel:

0~7

Mode:

0 → Dir/Pulse Counter

1 → Up/Down Counter

2 → Frequency

3 → Up Counter

4.15. pac_i8084W_ReadLowPassFilter

Read Low Pass Filter

Syntax

```
int pac_i8084W_ReadLowPassFilter_Us(int Slot, int Channel, unsigned int *Us);
```

Parameter and Return Values

Slot:

0 ~ 7

Channel:

0~7

Us:

1~32767, pulse width, unit = 0.001 ms

4.16. pac_i8084W_SetLowPassFilter

Set Low Pass Filter

Syntax

```
int pac_i8084W_SetLowPassFilter_Us(int Slot, int Channel, unsigned int Us);
```

Parameter and Return Values

Slot:

0 ~ 7

Channel:

0~7

Us:

1~32767, pulse width, unit = micro second

4.17. pac_i8084W_ReadLowPassFilter_Status

Syntax

```
void pac_i8084W_ReadLowPassFilter_Status(int Slot,int Channel,int *Status);
```

Parameter and Return Values

Slot:

0 ~ 7

Channel:

0~7

Status:

0 = disable

1 = enable

4.18. pac_i8084W_SetLowPassFilter_Status

Syntax

```
void pac_i8084W_SetLowPassFilter_Status(int Slot,int Channel,int Status);
```

Parameter and Return Values

Slot:

0 ~ 7

Channel:

0~7

Status:

0 = disable

1 = enable

4.19. pac_i8084W_ReadFreqMode

Syntax

```
void pac_i8084W_ReadFreqMode(int Slot, int Channel, int *Mode);
```

Parameter and Return Values

Slot:

0 ~ 7

Channel:

0~7

*Mode:

0 = Auto

1 = Low Frequency

2 = High Frequency

4.20. pac_i8084W_SetFreqMode

Syntax

```
void pac_i8084W_SetFreqMode(int Slot, int Channel, int Mode);
```

Parameter and Return Values

Slot:

0 ~ 7

Channel:

0~7

*Mode:

0 = Auto

1 = Low Frequency

2 = High Frequency

4.21. pac_i8084W_ReadFreqTimeoutValue

Syntax

unsigned short pac_i8084W_ReadFreqTimeoutValue(int Slot, int Channel);

Parameter and Return Values

4.22. pac_i8084W_SetFreqTimeoutValue

Syntax

```
void pac_i8084W_SetFreqTimeoutValue(int Slot, int Channel, unsigned short  
TimeOutValue );
```

Parameter and Return Values

4.23. pac_i8084W_ReadDI_Xor

Syntax

```
int pac_i8084W_ReadDI_Xor(int Slot, int *DI);
```

Parameter and Return Values

Slot:

0 ~ 7

*DI: Bit0 = DI of A0 after XorControl

*DI: Bit1 = DI of B0 after XorControl

...

*DI: Bit7 = DI of B3 after XorControl

Return:

0 → OK

<> 0 → Error codes

4.24. pac_i8084W_ReadDI_XorLPF

Syntax

```
int pac_i8084W_ReadDI_XorLPF(int Slot, int *DI);
```

Parameter and Return Values

Slot:

0 ~ 7

*DI: Bit0 = DI of A0 after XorControl & Low Pass Filter

*DI: Bit1 = DI of B0 after XorControl & Low Pass Filter

...

*DI: Bit7 = DI of B3 after XorControl & Low Pass Filter

Return:

0 → OK

<> 0 → Error codes

4.25. pac_i8084W_EepWriteEnable

Write_Enable EEPROM

Syntax

```
int pac_i8084W_EepWriteEnable(int Slot);
```

Parameter and Return Values

Slot:

0 ~ 7

Return:

0 → OK

Others → Error codes

4.26. pac_i8084W_EepWriteDisable

Write_Disable EEPROM

Syntax

```
int pac_i8084W_EepWriteDisable(int Slot);
```

Parameter and Return Values

Slot:

0 ~ 7

Return:

0 → OK

Others → Error codes

4.27. pac_i8084W_EepWriteWord

Write 16-bit data to EEP

Syntax

```
int pac_i8084W_EepWriteWord(int Slot, int Addr, int Value);
```

Parameter and Return Values

Slot:

0 ~ 7

Addr:

0~39 for users

40~63 for 8084 configuration

Value = two bytes integer

Return:

0 → OK

-1 → Address error

4.28. pac_i8084W_EepReadWord

Read 16-bit data to EEP

Syntax

```
int pac_i8084W_EepReadWord(int Slot, int Addr, int *Value);
```

Parameter and Return Values

Slot:

0 ~ 7

Addr:

0~39 for users

40~63 for 8084 configuration

Value = two bytes integer

Return:

0 → OK

-1 → Address error



I-8084W

User Manual

Version 1.0 beta1, June 2009

Service and usage information for
LinPAC-8000 Series

Warranty

All products manufactured by ICP DAS are under warranty regarding defective materials for a period of one year, beginning from the date of delivery to the original purchaser.

Warning

ICP DAS assumes no liability for any damage resulting from the use of this product.

ICP DAS reserves the right to change this manual at any time without notice. The information furnished by ICP DAS is believed to be accurate and reliable. However, no responsibility is assumed by ICP DAS for its use, no for any infringements of patents or other rights of third parties resulting from its use.

Copyright

Copyright © 2009 by ICP DAS Co., Ltd. All rights are reserved.

Trademarks

The names used in this manual are for identification purpose only and may be registered trademarks of their respective companies.

Table of Contents

Table of Contents	3
1. Introduction to the I8084W	5
1.1. Specification	5
1.2. Pin Assignment	7
1.3. I/O Structure	8
1.4. Wiring Connection	12
2. Hardware Operation Principle	14
2.1. Input Signal Model	14
2.2. Digital Low Pass Filter	17
2.3. Operation Mode	27
2.3.1. MODE 00: PULSE /DIR COUNTING	28
2.3.2. MODE 01: UP/DOWN COUNTING	29
2.3.3. MODE 02: FREQUENCY MODE	30
2.3.4. MODE 03: UP COUNTING	31
2.3.5. MODE 04: QUADRANT COUNTING	32
3. Usage on the LinPAC	33
3.1. i8084W_GetLibVersion	33
3.2. i8084W_GetLibDate	35
3.3. i8084W_InitDriver	36
3.4. i8084W_SetChannelMode	37
3.5. i8084W_AutoScan	38
3.6. i8084W_ReadCntABPhase	39
3.7. i8084W_ReadCntPulseDir	40
3.8. i8084W_ReadCntUpDown	41
3.9. i8084W_ReadFreq	42
3.10. i8084W_ReadCntUp	43
3.11. i8084W_ClrCnt	44
3.12. i8084W_RecoverDefaultSetting	45
3.13. i8084W_ReadXorRegister	46
3.14. i8084W_SetXorRegister	47
3.15. i8084W_ReadChannelMode	48

3.16.	i8084W_ReadLowPassFilter_Us	49
3.17.	i8084W_SetLowPassFilter_Us	50
3.18.	i8084W_ReadLowPassFilter_Status	51
3.19.	i8084W_SetLowPassFilter_Status	52
3.20.	i8084W_ReadFreqMode	53
3.21.	i8084W_SetFreqMode	54
3.22.	i8084W_ReadFreqUpdateTime	55
3.23.	i8084W_SetFreqUpdateTime	56
3.24.	i8084W_ReadDI_Xor	57
3.25.	i8084W_ReadDI_XorLPF	58
3.26.	i8084W_EepWriteEnable	59
3.27.	i8084W_EepWriteDisable	60
3.28.	i8084W_EepWriteWord	61
3.29.	i8084W_EepReadWord	62

1. Introduction to the I8084W

I-8084W is a 4/8-channel Counter/Frequency Module.

1.1. Specification

Digital Input	
Mode	4-ch Up/Down Counter (Up/Down)
	4-ch Dir/Pulse Counter (Bi-direction)
	4-ch Quadrant Counting
	8-ch Up Counter
	8-ch Frequency
	Programmable Built-in gate time: 0.33 sec (Default)
	Programmable Digital Noise Filter: 1 ~ 32737 μ s
Isolated Input Level	Logic Level 0: +1 V max
	Logic Level 1: +4.5 ~ 30 V
TTL Input Level	Logic Level 0: 0 ~ 0.8 V
	Logic Level 1: 2 ~ 5 V
Input Frequency	0 ~ 450 kHz (Frequency Mode)
	450 kHz (Counter Mode)
Minimum Pulse Width	1 μ s (Frequency Mode)
	1 μ s (Counter Mode)
EEPROM	128 KB
Isolated Voltage	1000 Vrms
ESD Protection	2 kV (Contact for each channel)

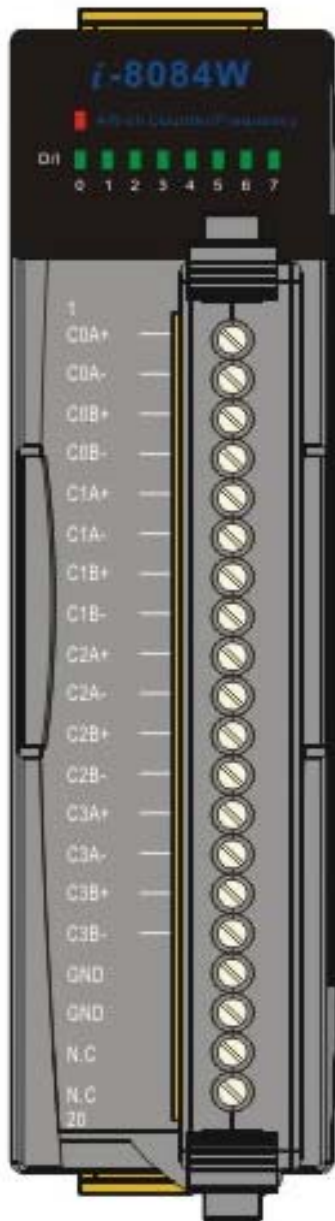
LED Display	
1 LED as Power Indicator	
8 LEDs as Digital Input Indicators	

Power	
Power Consumption	1 W

Environment	
Operating Temperature	-25 ~ 75 °C
Storage Temperature	-30 ~ 85 °C
Humidity	5 ~ 95 % RH, Non-condensing

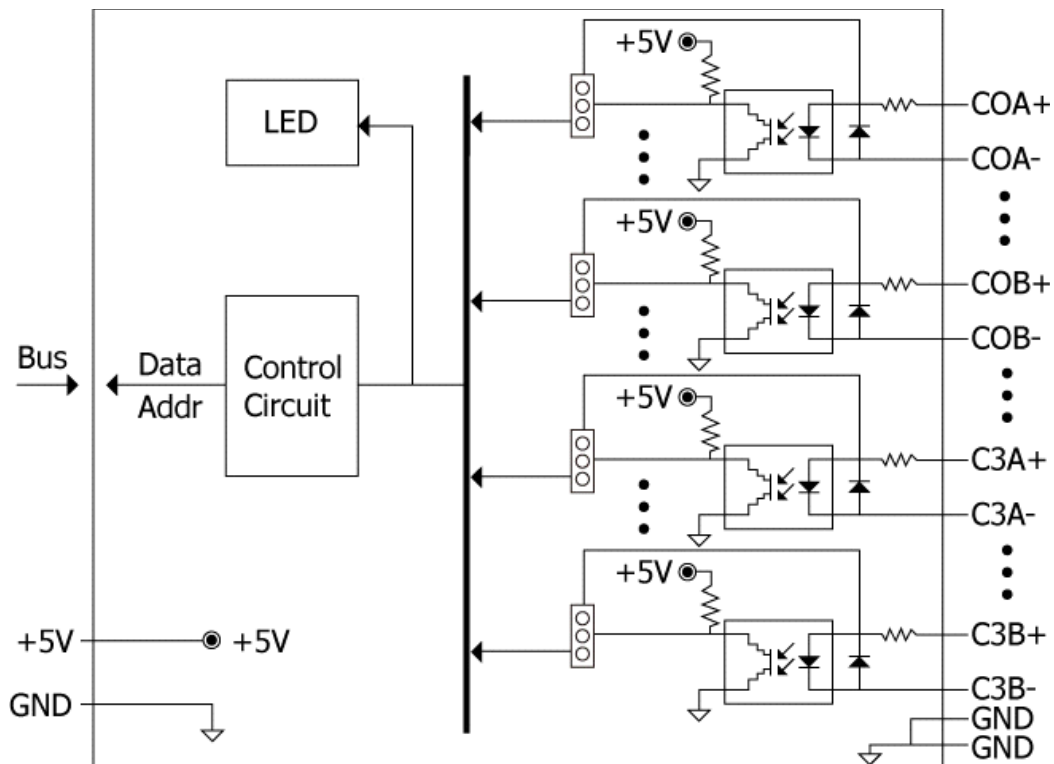
Dimensions	
30 mm x 85 mm x 114 mm (W x L x H)	

1.2. Pin Assignment

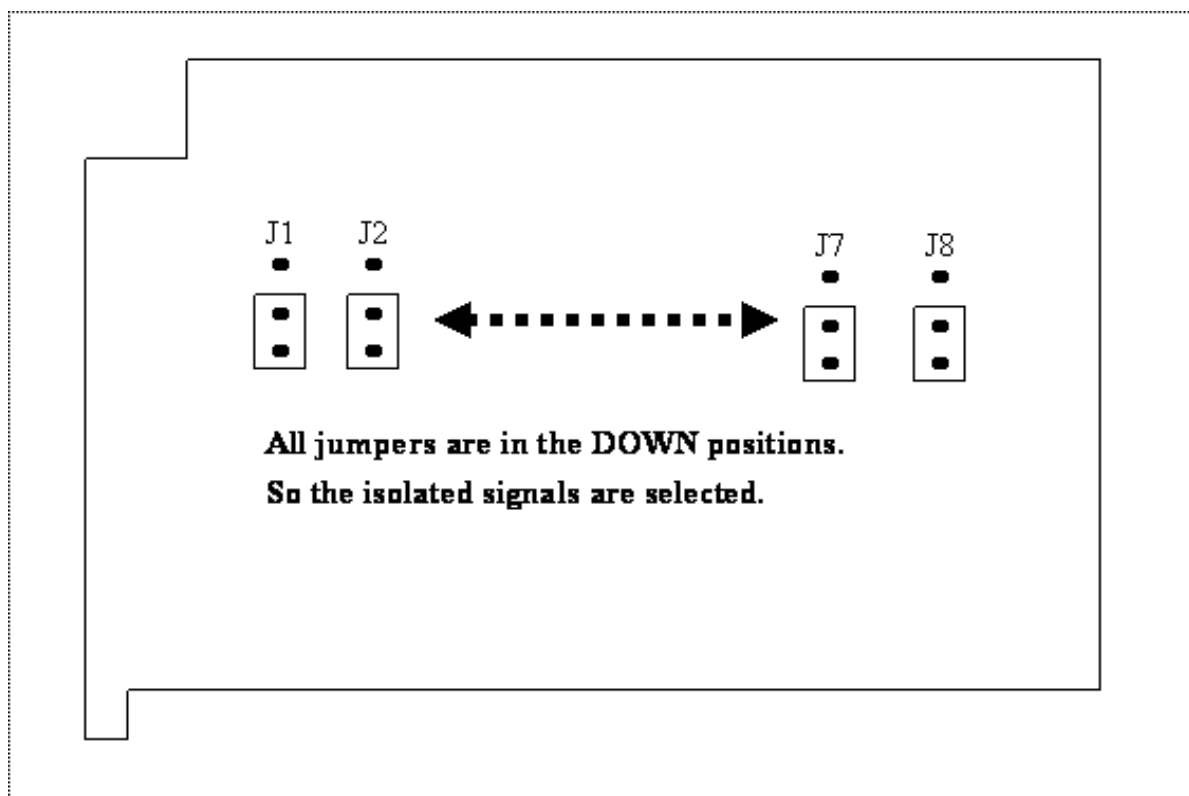


Terminal No.	Pin Assignment
01	C0A+
02	C0A-
03	C0B+
04	C0B-
05	C1A+
06	C1A-
07	C1B+
08	C1B-
09	C2A+
10	C2A-
11	C2B+
12	C2B-
13	C3A+
14	C3A-
15	C3B+
16	C3B-
17	GND
18	GND
19	N.C
20	N.C

1.3. I/O Structure

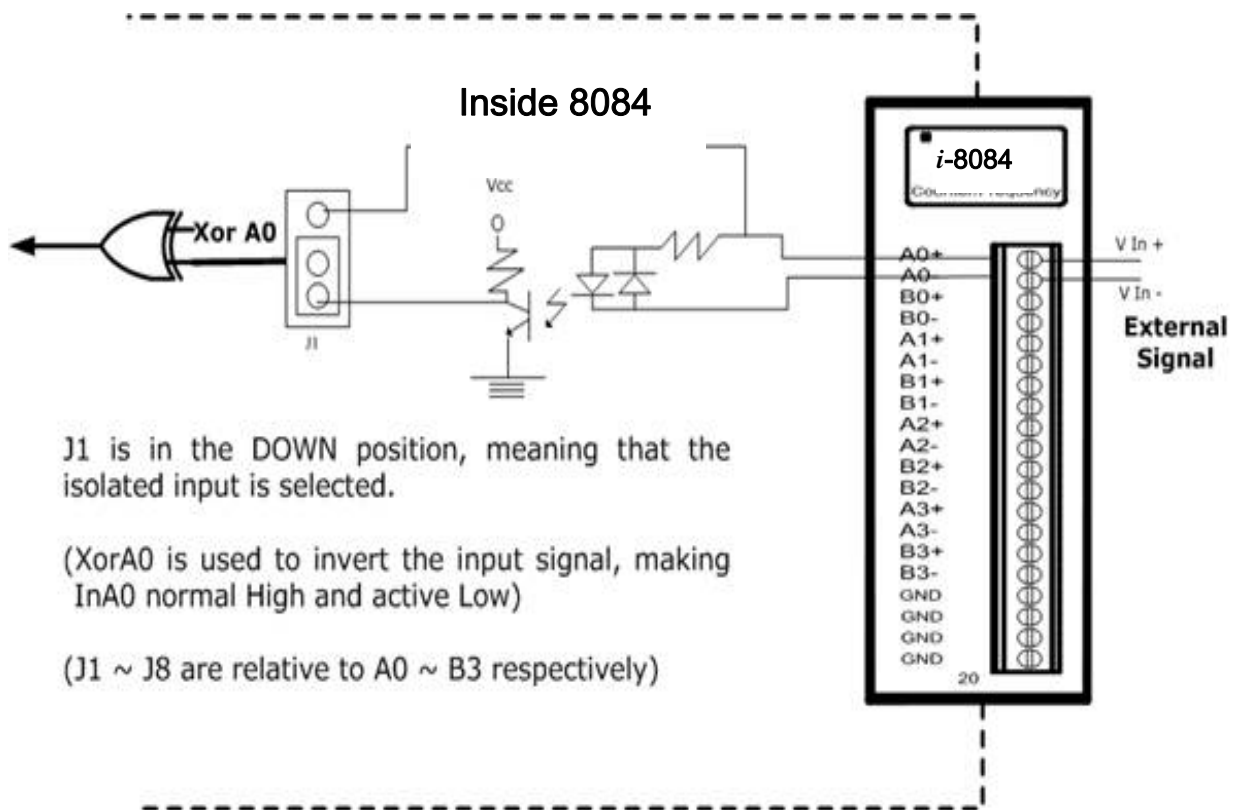


The default jumper settings are as follows:



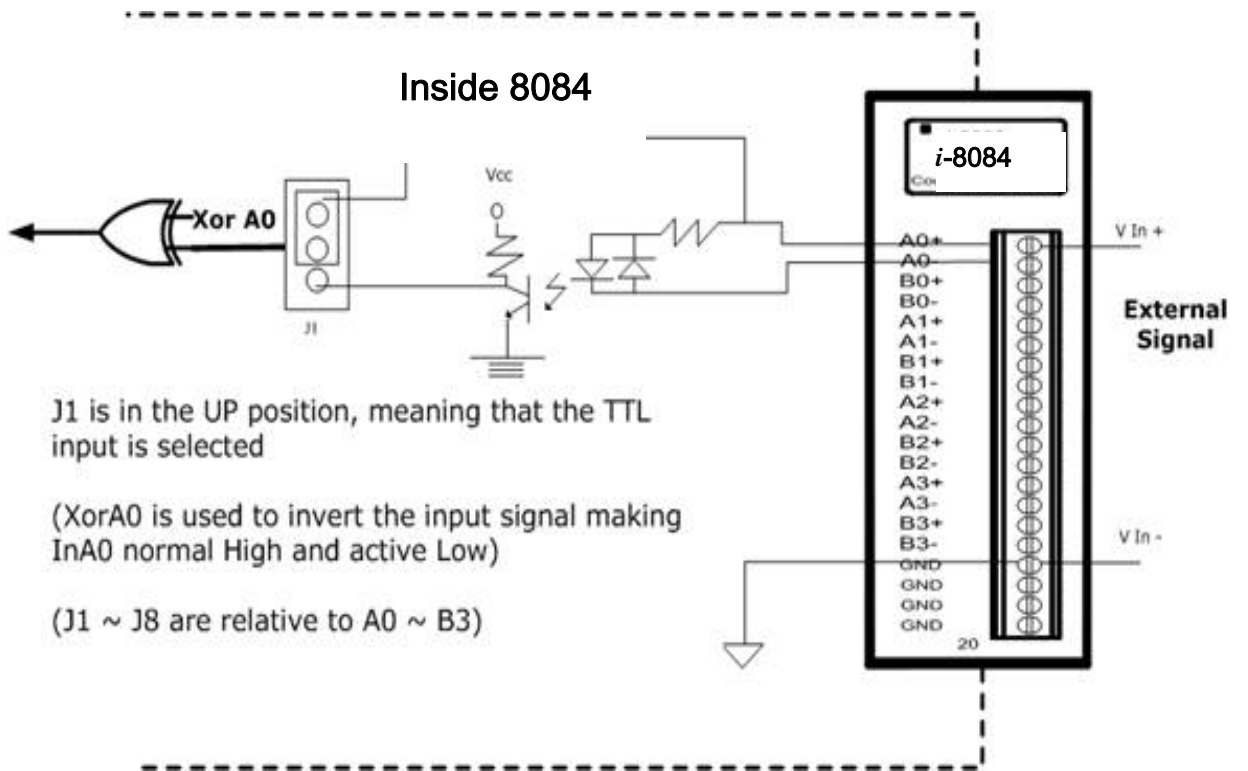
Isolated

Input:



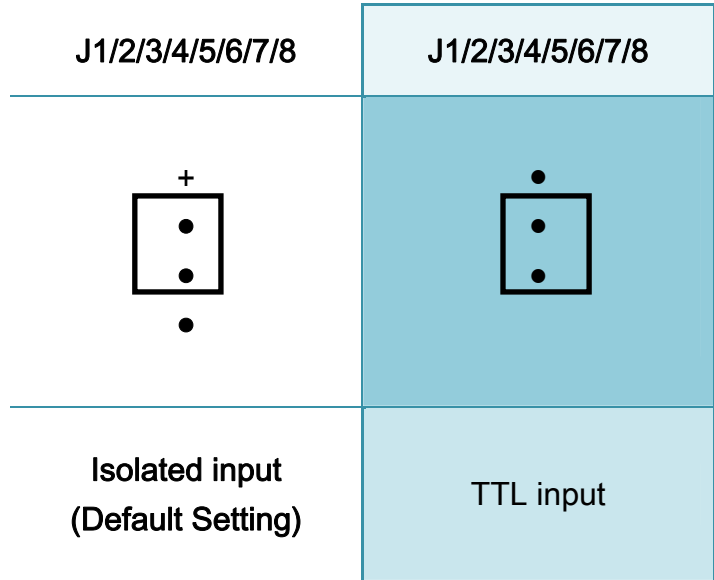
TTL

Input:





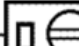
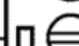
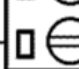
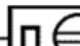
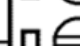
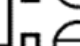
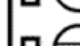


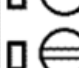













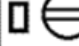


Isolated or TTL input is selected by using JP1 to JP3 as indicated below:

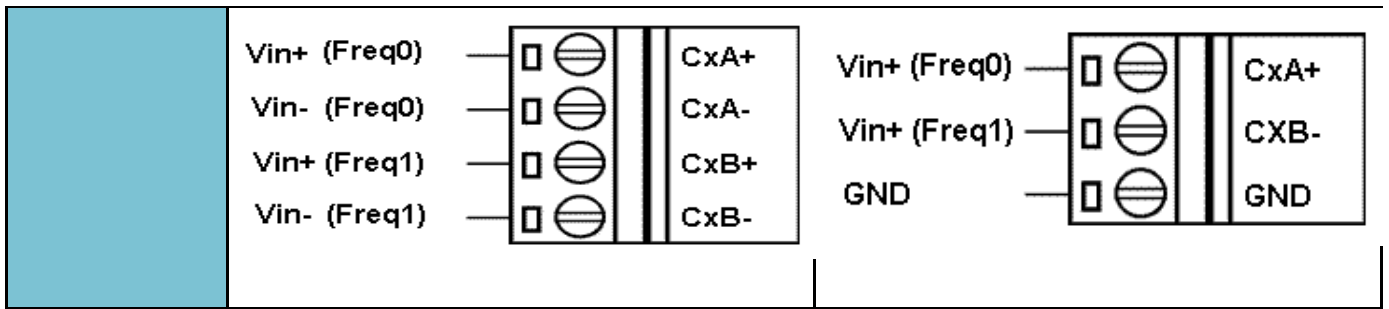
J1	Select A0
J2	Select B0
J3	Select A1
J4	Select B1
J5	Select A2
J6	Select B2
J7	Select A3
J8	Select B3



1.4. Wiring Connection

Counter Type		
Mode	Isolation	No-n-Isolation
Dir/Pulse	<p>Vin+ (Pulse) —  CxA+</p> <p>Vin- (Pulse) —  CxA-</p> <p>Vin+ (Dir) —  CxB+</p> <p>Vin- (Dir) —  CxB-</p>	<p>Vin+ (Pulse) —  CxA+</p> <p>Vin+ (Dir)rol —  CxB-</p> <p>Vin- (Pulse) and Vin- (Dir) —  GND</p>
Up/Down	<p>Vin+ (Up) —  CxA+</p> <p>Vin- (Up) —  CxA-</p> <p>Vin+ (Down) —  CxB+</p> <p>Vin- (Down) —  CxB-</p>	<p>Vin+ (Up) —  CxA+</p> <p>Vin+ (Down) —  CxB-</p> <p>Vin- (Up) and Vin- (Down) —  GND</p>
Up	<p>Vin+ (Up0) —  CxA+</p> <p>Vin- (Up0) —  CxA-</p> <p>Vin+ (Up1) —  CxB+</p> <p>Vin- (Up1) —  CxB-</p>	<p>Vin+ (Up0) —  CxA+</p> <p>Vin+ (Up1) —  CxB-</p> <p>GND —  GND</p>
Quadrant	<p>Vin+ (A0) —  CxA+</p> <p>Vin- (A0) —  CxA-</p> <p>Vin+ (B0) —  CxB+</p> <p>Vin- (B0) —  CxB-</p>	<p>Vin+ (A0) —  CxA+</p> <p>Vin+ (B0) —  CxB-</p> <p>GND —  GND</p>

Frequency Type		
Mode	Isolation	No-n-Isolation



2. Hardware Operation Principle

2.1. Input Signal Model

1. Isolated Input (XOR=0)

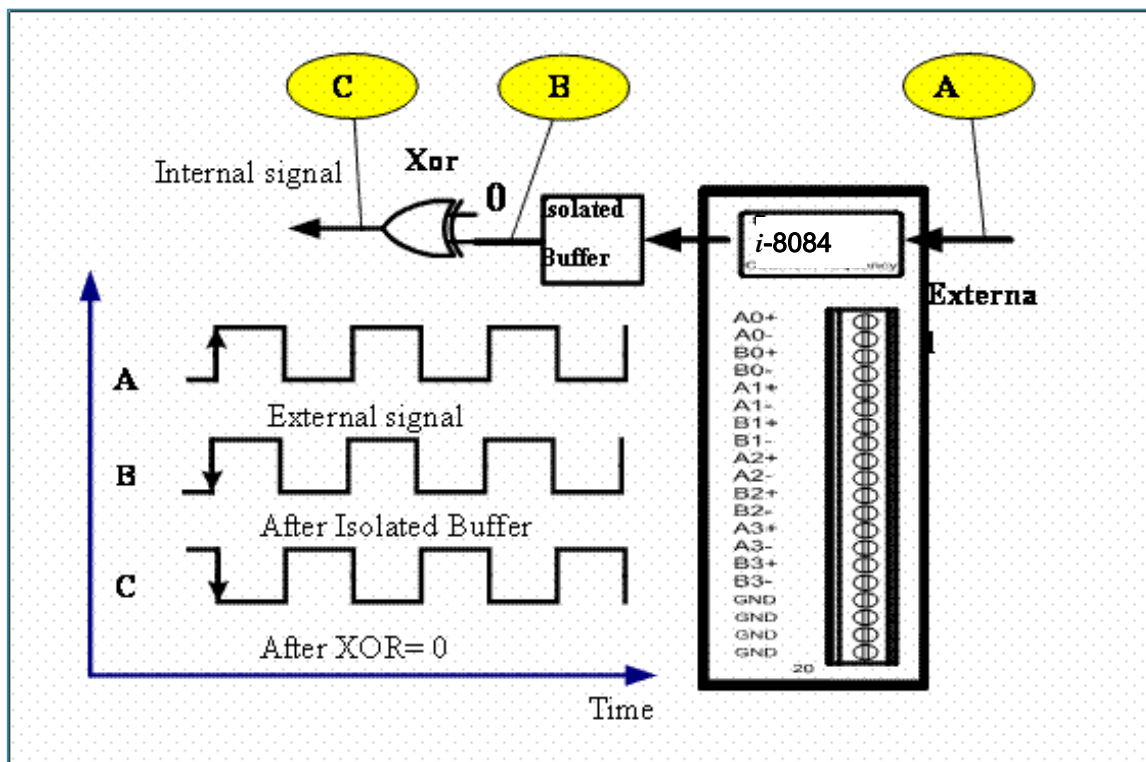
The operational logic applied on the 8084 modules is the falling edge trigger.

(Normal High and Active Low)

The external signal is input into an 8084 module through the isolated mechanism, with the signal being reversed from the external signal.

This internal signal is the suggested waveform, as it doesn't need to execute the XOR operation (XOR=0).

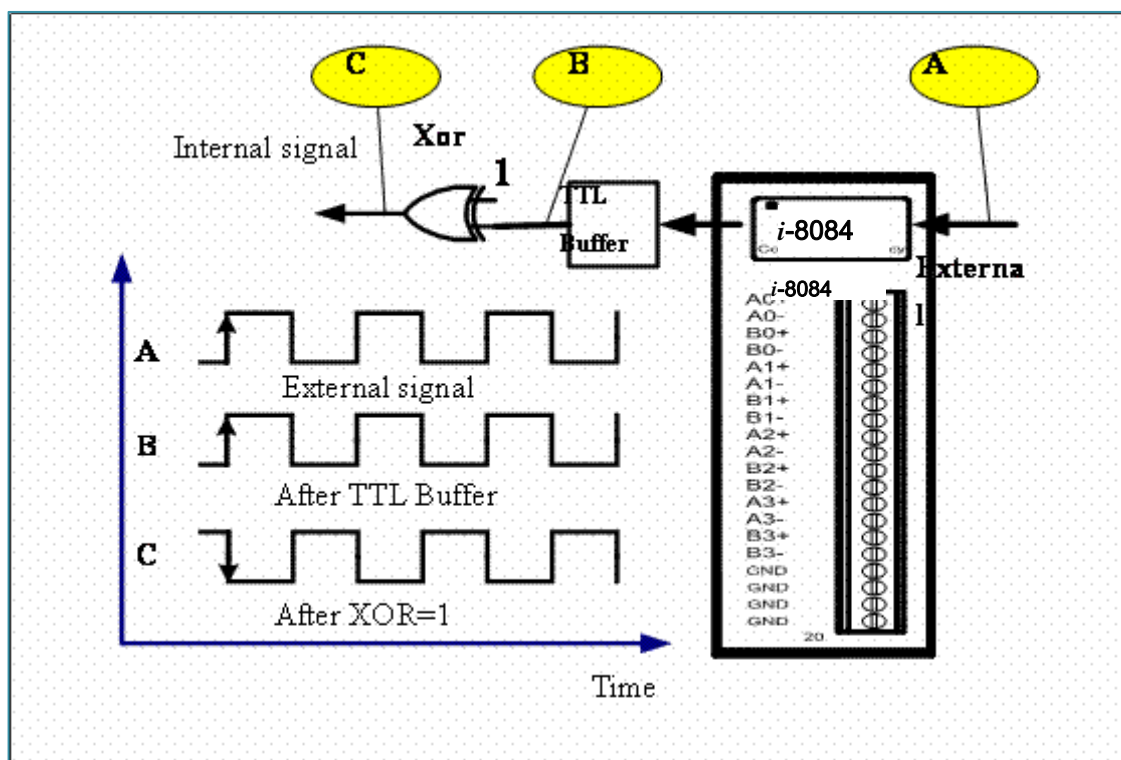
The solution is shown below.



2. TTL Input (XOR=1)

When an external TTL signal is input into an 8084 module through the TTL mechanism, the signal will be the same as the external signal. This internal signal isn't the recommended waveform as it must execute the exclusive OR (XOR=1) operation.

The solution is shown below.

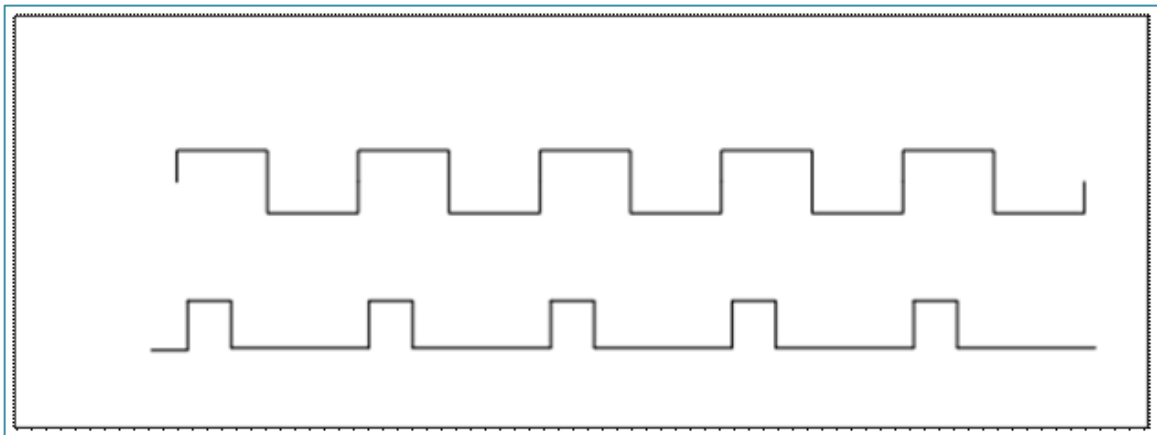


3. Always XOR=0

Regardless of whether the input signal is TTL or isolated, XOR is always set to 0, and the maximum count error can only be 1. XOR=0 can be used for all cases, if a 1-count error is acceptable.

Note:

- When XOR=0 and the 8084 module status is OPEN status (i.e. no signals on the input terminal) , regardless of whether you select the TTL or Isolated mode, the signal at the C point will always be 1. Similarly, if XOR=1 and the status is OPEN, then the signal at the C point will always be 0.
- If the input signal is a pulse rather than a 50/50 duty cycle square waveform, then the 1-count error will not occur as the pulse width is shorter..

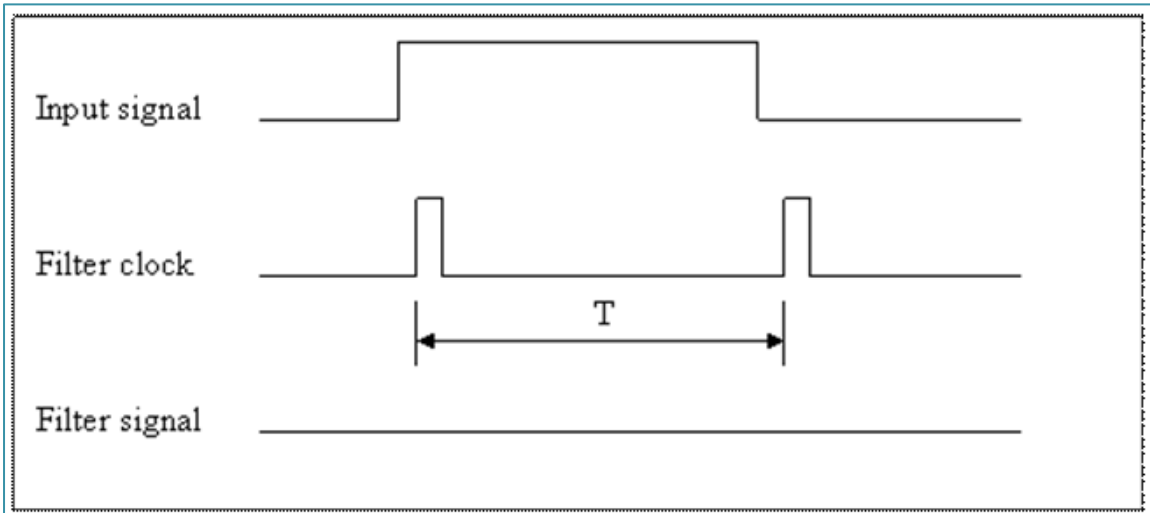


2.2. Digital Low Pass Filter

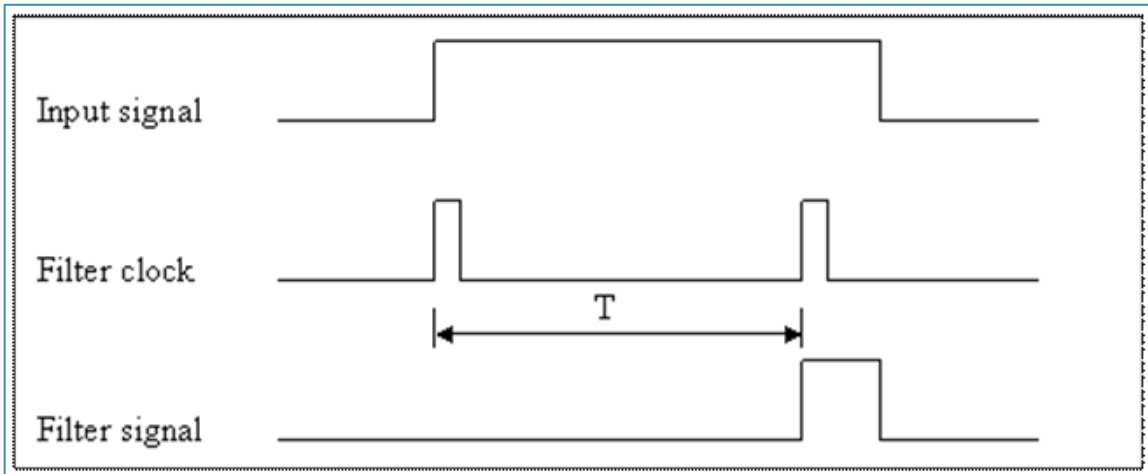
The 8084 has three independent 2nd-order digital noise filters, LP0, LP1 & LP2, to remove noises as follows:

Channel	Low Pass Filter
A0	Low Pass Filter 0
B0	Low Pass Filter 0
A1	Low Pass Filter 1
B1	Low Pass Filter 1
A2	Low Pass Filter 2
B2	Low Pass Filter 2
A3	Low Pass Filter 2
B3	Low Pass Filter 2

- The Low Pass Filter can be either disabled or programmable from 2 μ s to 65535 μ s.
- The Low Pass Filter will apply to all working modes, counter or frequency.
- These 3 Low Pass Filters are disabled status in the default shipping. User defined program can be used to issue a command to enable or disable the filters.
- Assume that the filter clock of the Low Pass Filter is set to T, this clock is used to sample the input signal.
- If one of the adjacent 2 samples is low, then the input signal will be removed as follows:



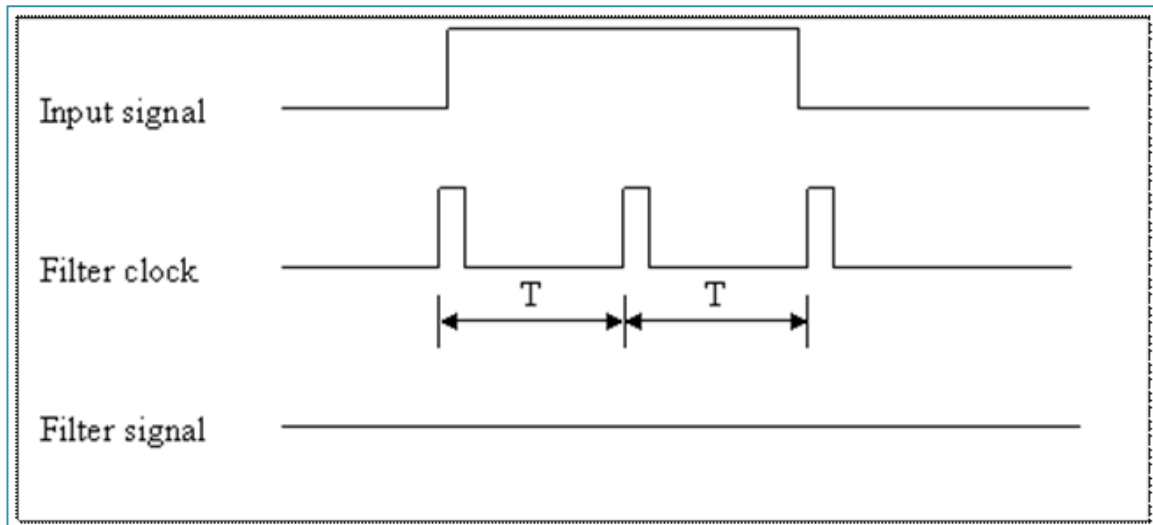
- If the high width of the input signal is shorter than T , it will be filtered.
- If the adjacent 2 samples are all HIGH, the input signal can pass as indicated below:



Note: the filter signal is shorter than the original input signal.

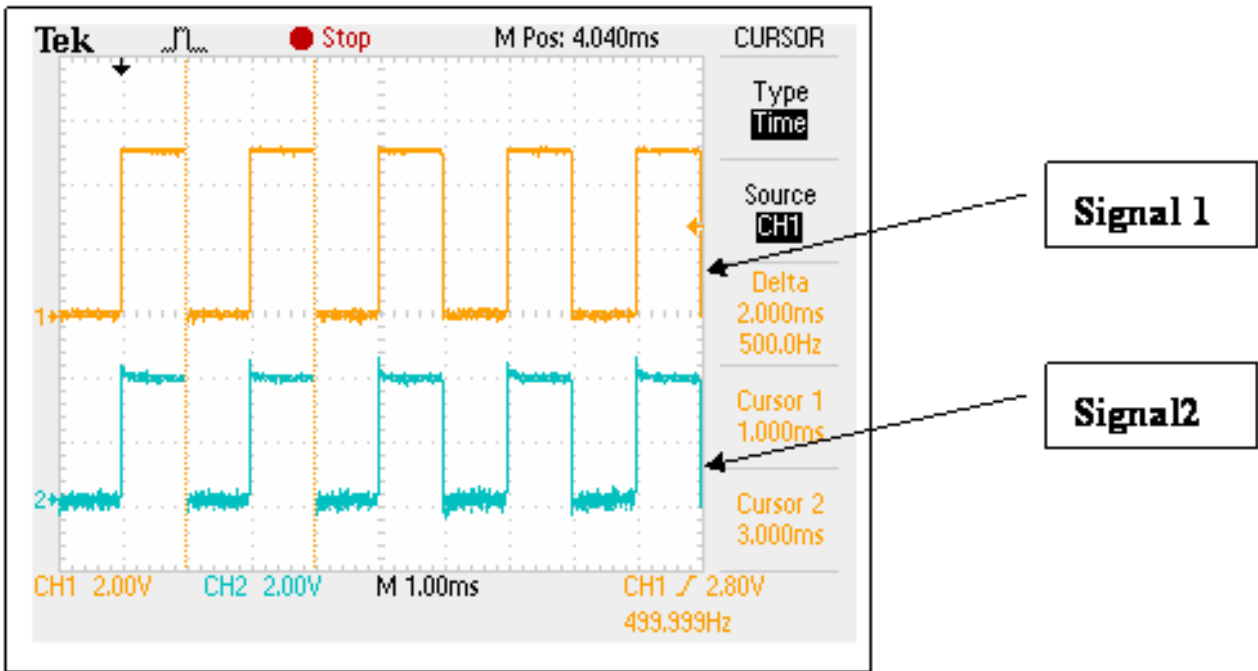
|

- If the input signal is shorter than $2T$, it may be filtered in the following manner:



- The relationship between the input signal and the filter signal is as follows:
 - if $(2T < \text{input signal})$, it will pass
 - if $(T \leq \text{input signal} \leq 2T)$, it may be filtered or passed
 - if $(\text{input signal} < T)$, it will be filtered
- The software driver, `i8084_SetLowPassUs` (`int Slot`, `int Channel`, `unsigned int Us`), provides an parameter, `Us` which can be used to set the Low Pass Filter as follows:
 - if $Us=1$ and $2T = 1\mu\text{s}$ then $T = 0.5\mu\text{s}$ and $\text{signal} \leq 0.5\mu\text{s}$ will be removed
 - if $Us=2$ and $2T = 2\mu\text{s}$ then $T = 1\mu\text{s}$ and $\text{signal} \leq 1\mu\text{s}$ will be removed
 - if $Us=N$, N from 1 to $0x7fff$ and $2T = N\mu\text{s}$ then $\text{signal} \leq (N/2)\mu\text{s}$ will be removed
- The Low Pass Filter range can be configured from $1\mu\text{s}$ to $32767\mu\text{s}$. The high width of the signal $< (Us/2)$ will be removed.

For example, if you use a function generator as signal source, the 500Hz signal & 50/50 duty cycle will generate a 1000 μ s high & 1000 μ s low as follows:



Input signal=500Hz & Low Pass Filter Disable

Signal 1 =

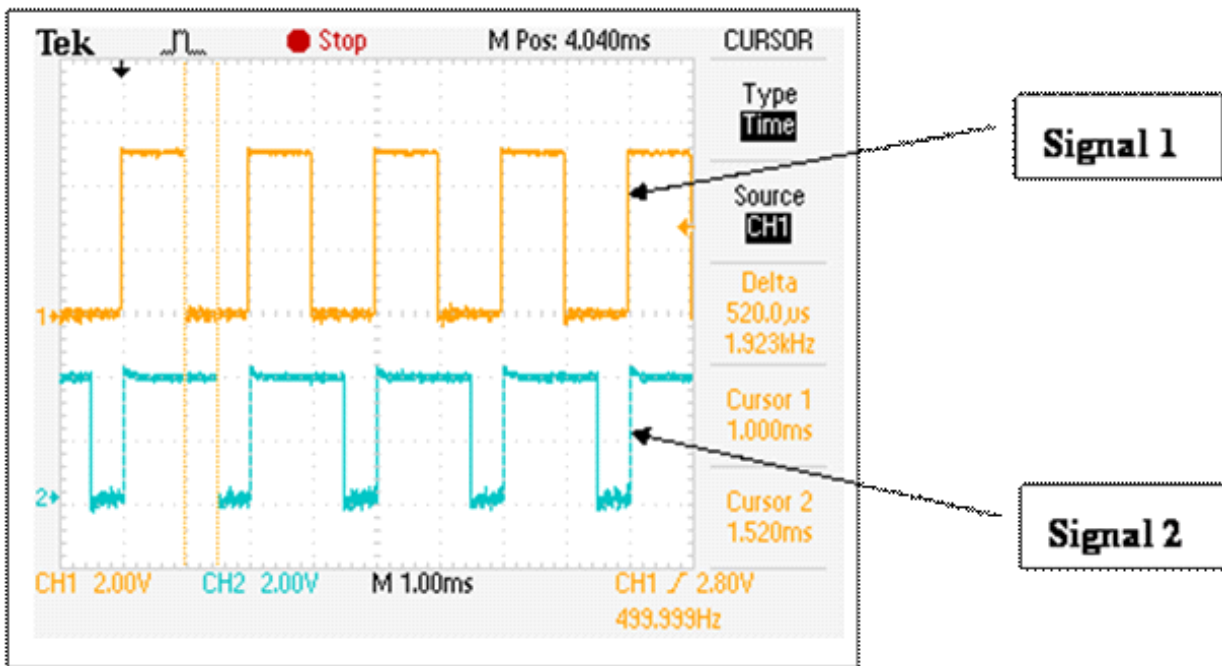
input signal=500Hz, 50/50 duty cycle

Signal 2 =

input signal after Xor and Low Pass Filter, now Xor=0 and Low Pass Filter is disable.

If the Low Pass Filter is disabled, signal 2 will be the same as signal 1 in the above diagram.

If the Low Pass Filter is enabled, signal 2 will be shorter than signal 1 as shown below:



Input signal=500Hz & Low Pass Filter Enabled=1μs

Signal 1 =

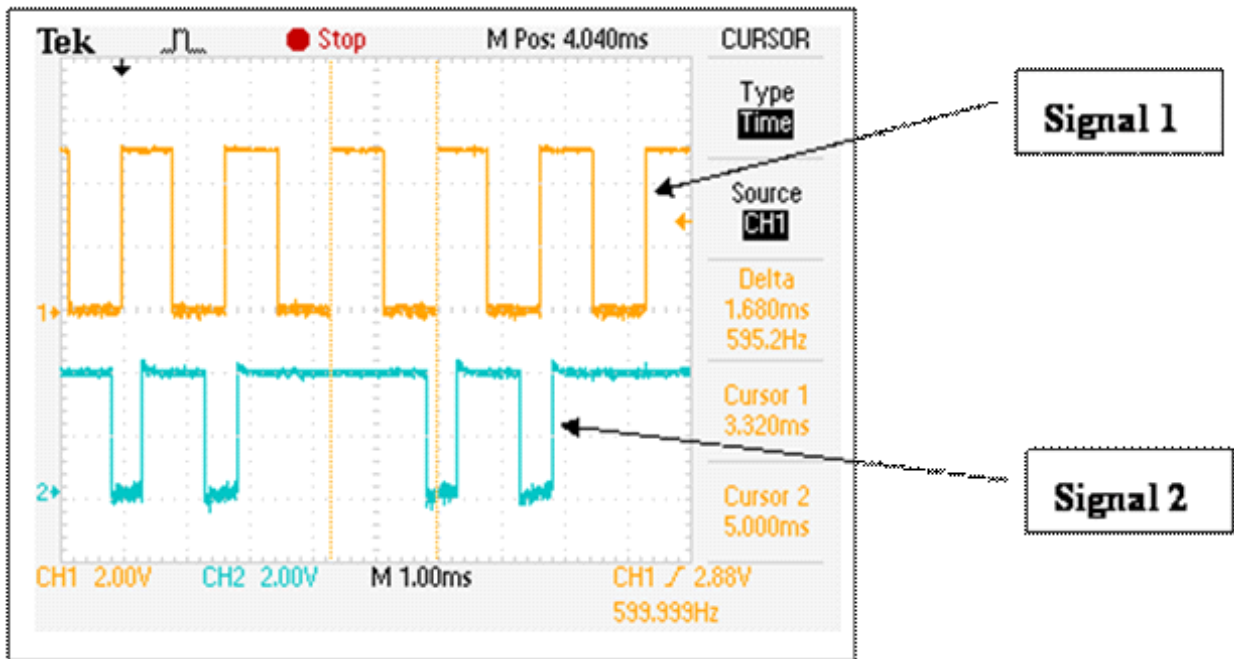
input signal=500Hz, 50/50 duty cycle

Signal 2 =

input signal after Xor and Low Pass Filter, now Xor=0 and the Low Pass Filter is enabled.

Nearly all pulses are passed.

Now you can find that nearly all pulses are passed. If the input signal is increased to 600Hz, then some of the pulses are filtered as follows:



Input signal=600Hz & Low Pass Filter Enabled=1 μ s

Signal 1 =

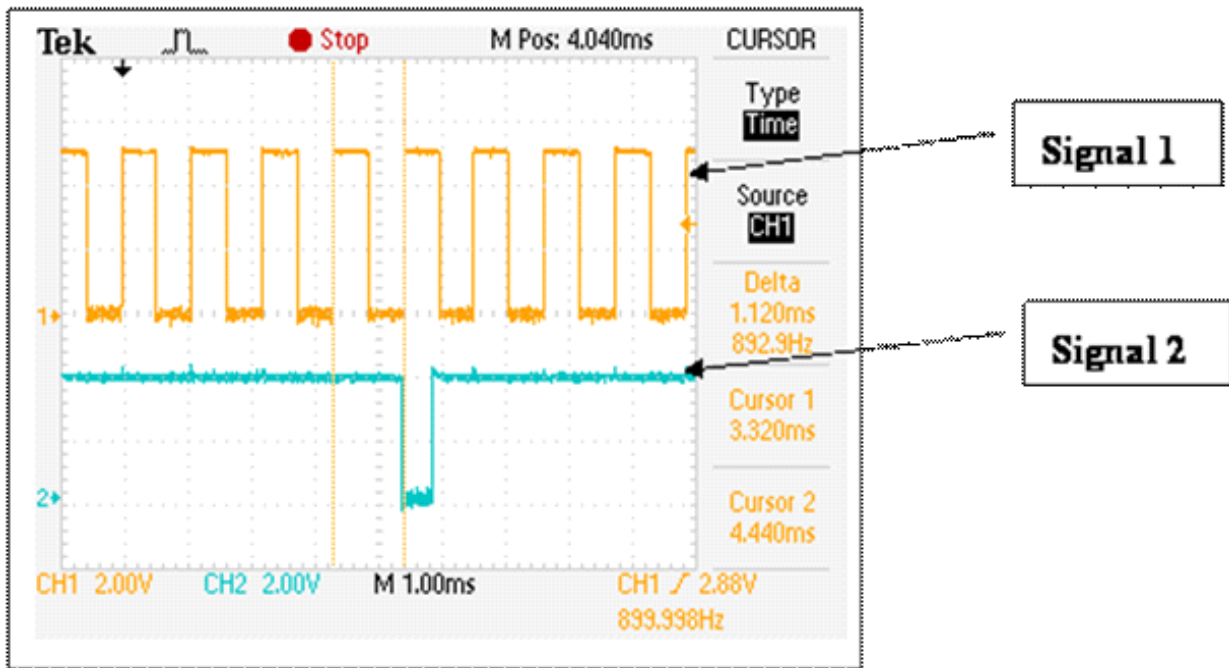
input signal=600Hz, 50/50 duty cycle.

Signal 2 =

input signal after Xor and Low Pass Filter, now Xor =0 and Low Pass Filter is enabled.

Some pulses are filtered.

If the input signal is increased to 900Hz, then nearly all pulses are filtered as illustrated below:



Input signal=900Hz & Low Pass Filter Enabled=1 μ s

Signal 1 =

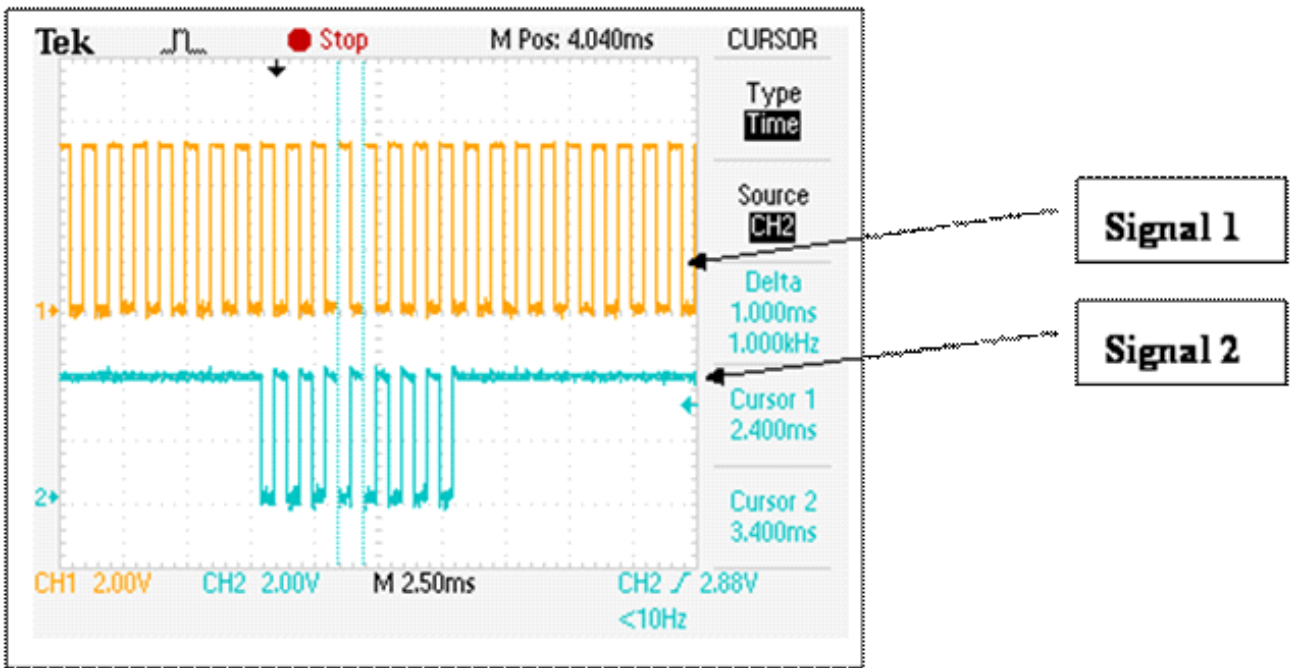
input signal=900Hz, 50/50 duty cycle

Signal 2 =

input signal after Xor and Low Pass Filter, now Xor=0 and the Low Pass Filter is enabled.

Nearly all pulses are filtered.

Because there are some frequency offset errors in the internal crystal, there may be some noises when the input signal width = Low Pass Filter/2 as follows:



Input signal=1000Hz & Low Pass Filter Enabled=1 μ s

Signal 1 =

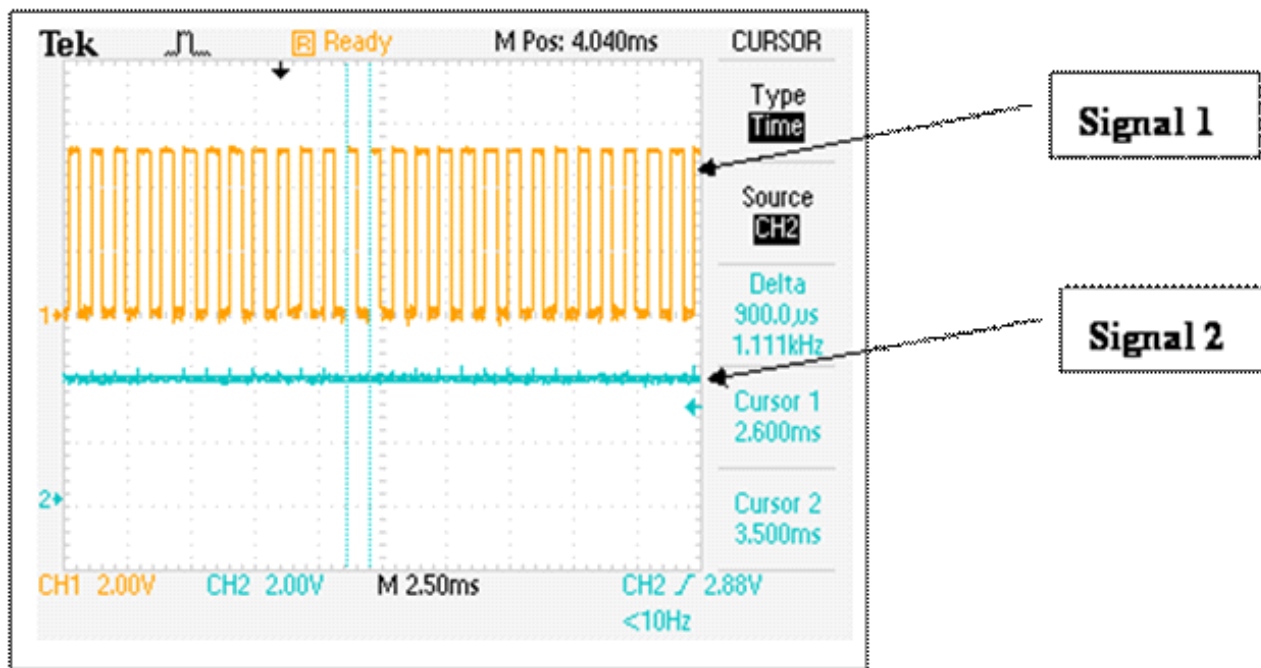
input signal=1000Hz, 50/50 duty cycle à pulse width=500 μ s

Signal 2 =

input signal after Xor and Low Pass Filter, now Xor=0 and the Low Pass Filter is enabled. Signal Pulse=500 μ s=Low Pass Filter/2.

Nearly all pulses are filtered, but sometimes certain noises will not be filtered.

If the input signal is increased to 1100Hz, then all pulses will be filtered as shown in Figure 1-12:



Input signal=1100Hz & Low Pass Filter Enabled= $1\mu\text{s}$

In summary, apply the minimum 1µs on Low Pass Filters.

The result of the signal being processed by the Low Pass Filter as follows:

Input signal frequency(Hz)	After Low Pass Filter processing	Reference
Input signal <500Hz (Low Pass Filter=1µs)	All signals will be passed	Figure 1
Input signal =500Hz (Low Pass Filter=1µs)	All signals should be passed	Figure 2
Input signal =600Hz (Low Pass Filter=1µs)	Some signals will be filtered and some will be passed	Figure 3
Input signal =900Hz (Low Pass Filter=1µs)	Many signals will be filtered and few will be passed	Figure 4
Input signal =1000Hz (Low Pass Filter=1µs)	Nearly all signals are filtered	Figure 5
Input signal =1100Hz (>1k Hz) (Low Pass Filter=1µs)	All signals will be filtered	Figure 6

For the same reason, if the signal pulse=Low Pass Filter, certain pulses may be filtered.

Therefore, it is recommended to set the cycle time of Low Pass Filter about 5% less than the cycle time of input signal pulse as shown below:

Input pulse =1 ms = 1000 µs à set Low Pass Filter <=950 µs

if Input pulse = 100 µs , set Low Pass Filter <= 95 µs

The minimum Low Pass Filter = 1 µs , input signal < 475K, 50/50 duty cycle

As a result, the maximum speed of the 8084 is recommended to 450K, 50/50 duty cycle.

2.3. Operation Mode

Operation Mode	Description	Number of counter and frequency sets
00	Dir/Pulse counting mode	4 sets
01	Up/Down counting mode	4 sets
02	Frequency mode	8 sets
03	Up counting mode	8 sets
04	Quadrant Counting mode	4 sets

The input channels mapping table and working modes are indicated below:

	Mode 00	Mode 01	Mode 02	Mode 03	Mode 04
A0	Pulse 0	Up 0	Frequency 0	Up 0	A0
B0	Dir 0	Down 0	Frequency 1	Up 1	B0
A1	Pulse 2	Up 2	Frequency 2	Up 2	A1
B1	Dir 2	Down 2	Frequency 3	Up 3	B1
A2	Pulse 4	Up 4	Frequency 4	Up 4	A2
B2	Dir 4	Down 4	Frequency 5	Up 5	B2
A3	Pulse 6	Up 6	Frequency 6	Up 6	A3
B3	Dir 6	Down 6	Frequency 7	Up 7	B3

CountN =

the counter value for channel N, 32bit wide, from -2147483648 to 2147483647

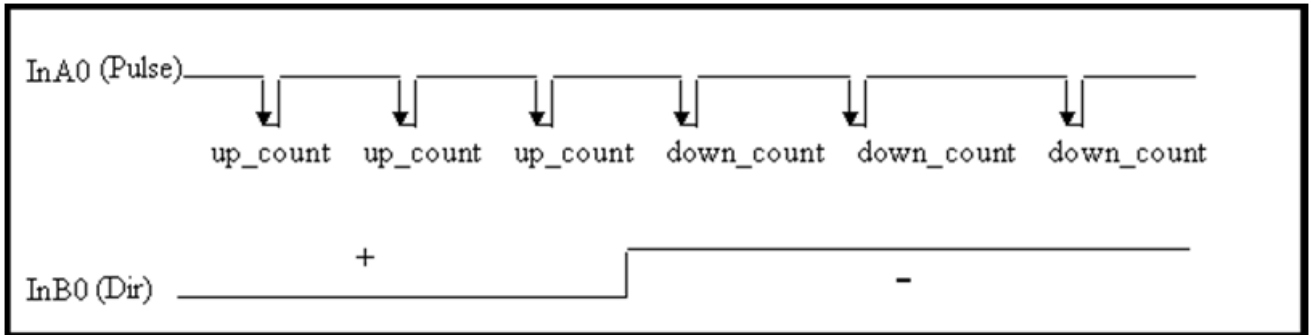
OverflowN =

the counting overflow number for channel N, 16bit wide, from -32768 to 32767

Total Counting Value bit = 32bit + 16bit = 48bit

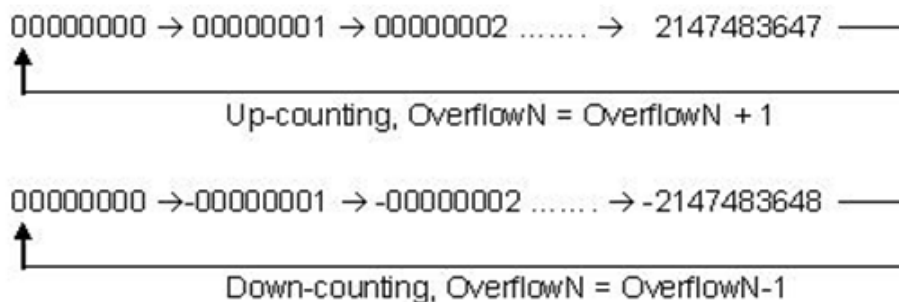
2.3.1.Mode 00: Pulse /Dir Counting

The counter operation for mode 00 (Dir/Pulse mode) is as follows:



- When InB0 is used as Dir, if InB0 is High, counter_0 will be increased by one for every falling edge of InA0.
- If InB0 is Low, counter_0 will be decreased by one for every falling edge of InA0.

The counter operation is given as follows:



Pulse/Dir Counter	Counting Variable	Total Counting Value
A0, B0	Count0, Overflow0	Count0 + Overflow0 * 2147483648
A1, B1	Count2, Overflow2	Count2 + Overflow2 * 2147483648
A2, B2	Count4, Overflow4	Count4 + Overflow4 * 2147483648
A3, B3	Count6, Overflow6	Count6 + Overflow6 * 2147483648

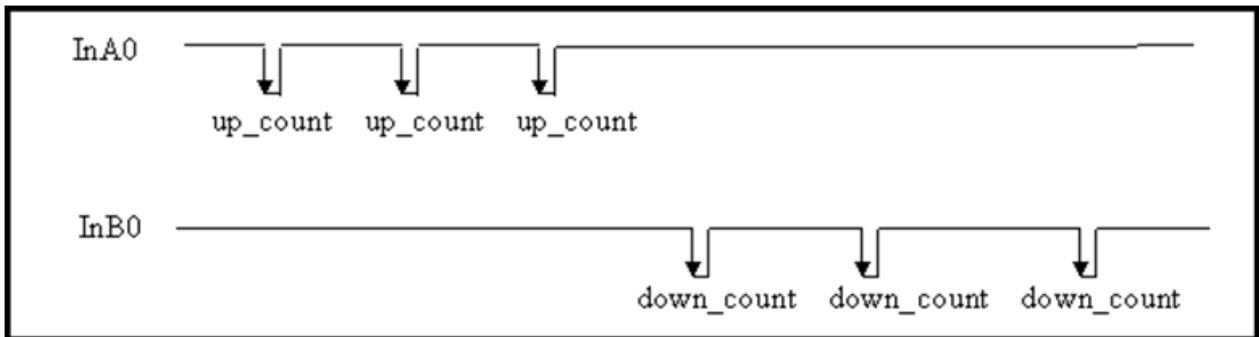
CountN = the counter value for channel N, 32bit wide, from -2147483648 to 2147483647

OverflowN = the counting overflow number for channel N, 16bit wide, from -32768 to 32767

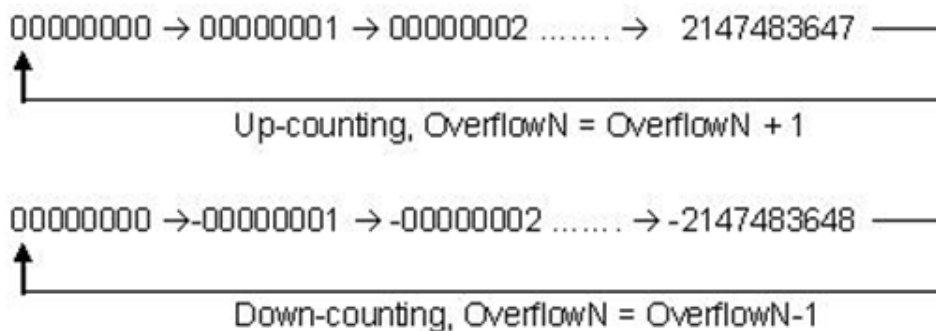
Total Counting Value bit = 32bit + 16bit = 48bit

2.3.2.Mode 01: Up/Down Counting

The counter operation for mode 01 (Up/Down mode) is as follows:



When InA0 is used as a UP_clock and InB0 is used as a DOWN_clock. The counter_0 will be increased by one for every falling edge of InA0 and decreased by one for every falling edge of InB0.



Up/Down Counter	Counting Variable	Total Counting Value
A0, B0	Count0, Overflow0	$Count0 + Overflow0 * 2147483648$
A1, B1	Count2, Overflow2	$Count2 + Overflow2 * 2147483648$
A2, B2	Count4, Overflow4	$Count4 + Overflow4 * 2147483648$
A3, B3	Count6, Overflow6	$Count6 + Overflow6 * 2147483648$

CountN =

the counter value for channel N, 32bit wide, from -2147483648 to 2147483647

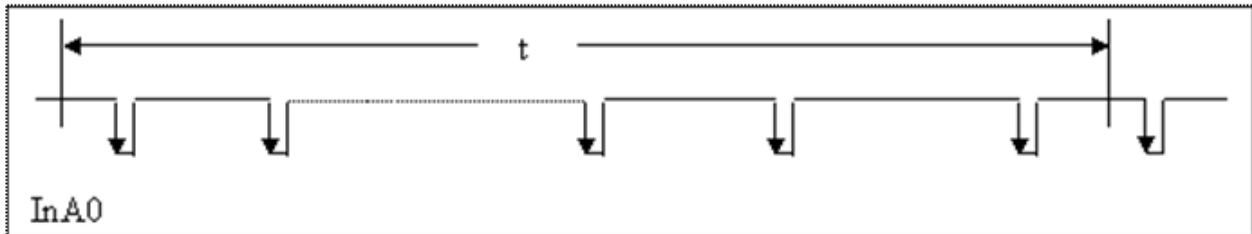
OverflowN =

the counting overflow number for channel N, 16bit wide, from -32768 to 32767

Total Counting Value bit = 32bit + 16bit = 48bit

2.3.3.Mode 02: Frequency Mode

The frequency operation for mode 02 is as follows:



Frequency	Frequency Variable
A0	Frequency0
B0	Frequency1
A1	Frequency2
B1	Frequency3
A2	Frequency4
B2	Frequency5
A3	Frequency6
B3	Frequency7

Period of update time $t = 0.33$ second is the default setting. A user defined command can be used to change the value of t for special applications.

$$\text{Frequency} = \text{Counter value} / \text{Period of scan time}$$

Assume $t = 0.1$ seconds,

If count = 1 à frequency = $1/(0.1/1) = 10$ Hz

If count = 10 à frequency = $1/(0.1/10) = 100$ Hz

All frequency channels will be updated every 0.1 seconds for $t = 0.1$ seconds.

The software driver provides three ways to adjust.

They are Auto select, Low and High Frequency. (The default is Auto select)

The default configuration data is as follows:

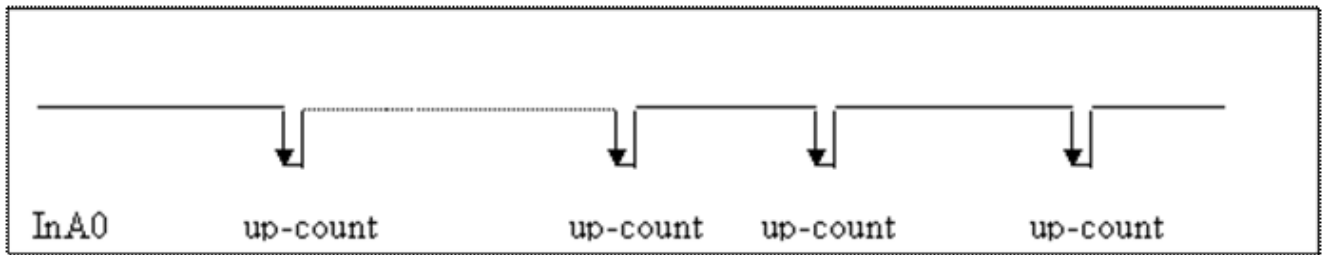
Auto Frequency = the frequency channel will be updated every 330 million seconds;

Low Frequency = the frequency channel will be updated every 1000 million seconds;

High Frequency = the frequency channel will be updated every 100 million seconds;

2.3.4.Mode 03: Up Counting

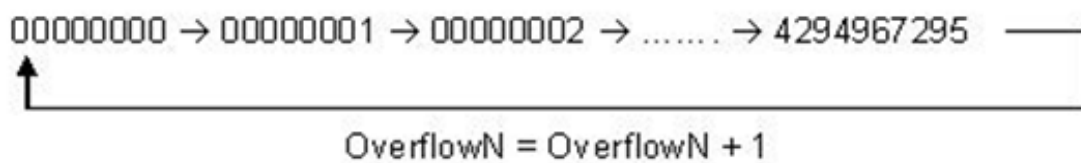
The counter operation for mode 03 is as follows:



Counter_0 will increment by one for every falling edge of InA0

Up Counter	Counting Variable	Total Counting Value
A0	Count0, Overflow0	Count0 + Overflow0 * 4294967296
B0	Count1, Overflow1	Count1 + Overflow1 * 4294967296
A1	Count2, Overflow2	Count2 + Overflow2 * 4294967296
B1	Count3, Overflow3	Count3 + Overflow3 * 4294967296
A2	Count4, Overflow4	Count4 + Overflow4 * 4294967296
B2	Count5, Overflow5	Count5 + Overflow5 * 4294967296
A3	Count6, Overflow6	Count6 + Overflow6 * 4294967296
B3	Count7, Overflow7	Count7 + Overflow7 * 4294967296

The counter operation is as follows:



CountN =

current counter value for channel N, 32bit wide, from 0 to 4294967295

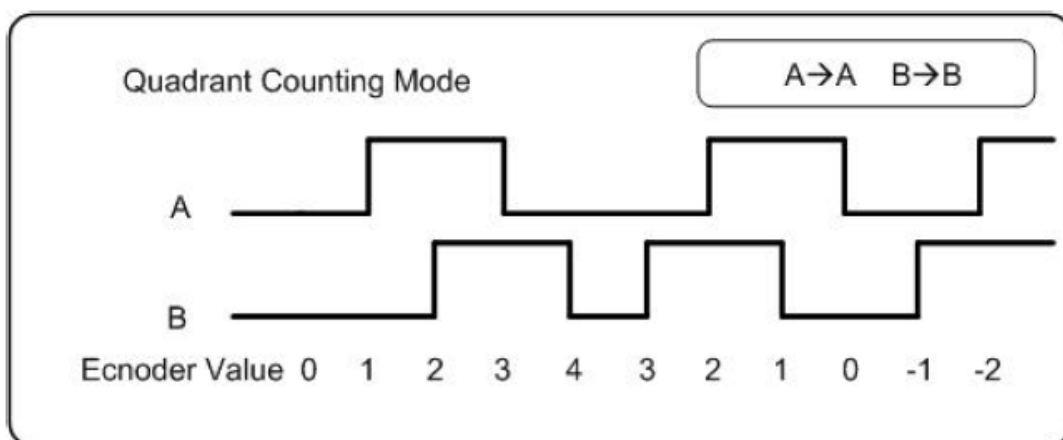
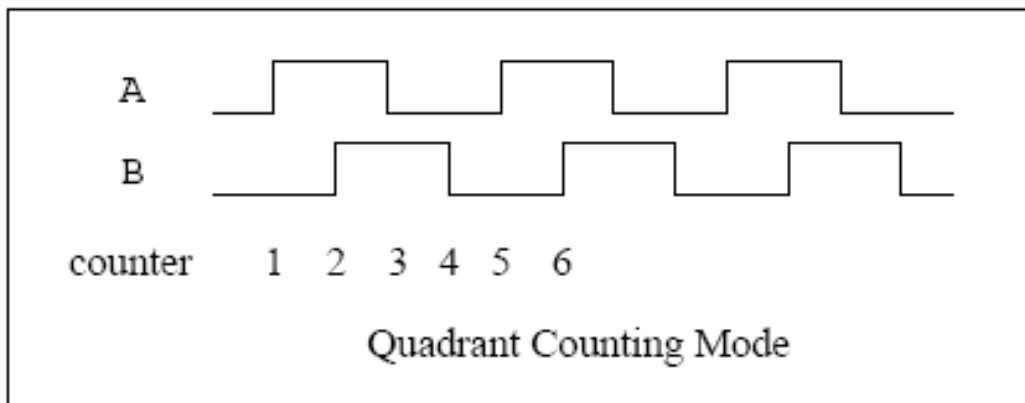
OverflowN =

The counting overflow number for channel N, 16bit wide, from 0 to 65535

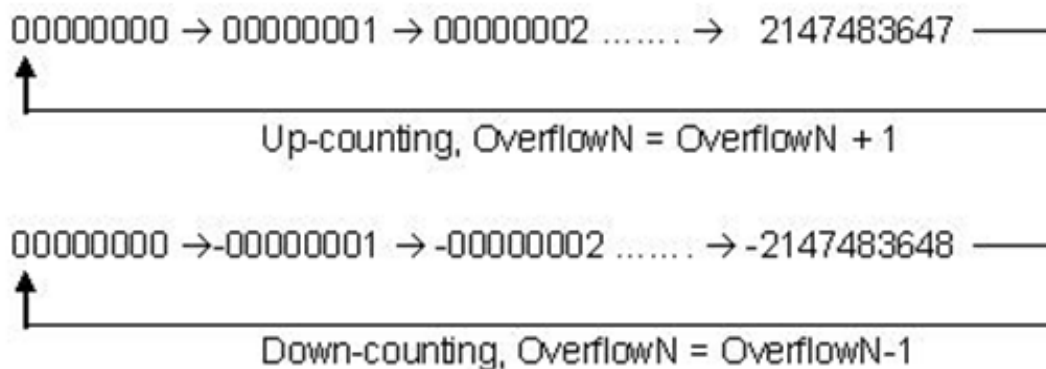
Total Counting Value = CountN + OverflowN * 4294967296

Total Counting Bit = 32bit + 16bit = 48bit

2.3.5.Mode 04: Quadrant Counting



When InA0 is used as a UP_clock and InB0 is used as a DOWN_clock. The counter_0 will be increased by one for every falling edge of InA0 and decreased by one for every falling edge of InB0.



3. Usage on the LinPAC

LinPAC Introduction and Software Development

I-8084W can be plugged on the LinPAC-8000 . Please refer to the Web site

http://www.icpdas.com/products/PAC/linpac-8000/lp-8x3x_hardware.htm

http://www.icpdas.com/products/PAC/linpac-8000/lp-8x4x_hardware.htm

http://www.icpdas.com/products/PAC/linpac-8000/lp-8x81_hardware.htm

I-8084W Demo for LinPAC-8000

The latest demo at C:\cygwin\LinCon8k\examples\i8k in LinPAC SDK as below:

<http://ftp.icpdas.com/pub/cd/linpac/napdos/lp-8x4x/sdk/>

3.1. i8084W_GetLibVersion

Get the version number of i8084 library Rev:5.0.0

Syntax

```
int i8084W_GetLibVersion()
```

3.2. i8084W_GetLibDate

Get the date of 8084 library , Sep 03 2003

Syntax

Void i8084W_GetLibDate(char* LibDate)

3.3. i8084W_InitDriver

Configure the 8084 with the setting stored in the EEPROM.

If there is no settings stored in the EEPROM, the function will call i8084W_RecoverDefaultSetting.

Syntax

```
int i8084W_InitDriver(int Slot)
```

Parameter and Return Values

Slot:

1~8

Return:

0 → OK

-1 → Module not found

>0 → Some Pulse/Dir counters have one count offset (+1)

Bit0=1 A0 has one count offset (+1)

Bit2=1 A1 has one count offset (+1)

Bit4=1 A2 has one count offset (+1)

Bit6=1 A3 has one count offset (+1)

(due to the input channel is high)

3.4. i8084W_SetChannelMode

There are four operation modes in I-8048W. The function is used to set the operation mode of channel of I-8084W.

Syntax

```
int i8084W_SetChannelMode(int Slot, int Channel, int Mode)
```

Parameter and Return Values

Slot:

1~8

Channel:

0 ~ 7

Mode:

0 → Dir/Pulse Counter

1 → Up/Down Counter

2 → Frequency

3 → Up Counter

4 --> AB Phase

Return:

0 → No error

1 → The Pulse/Dir counter has one count offset (+1)

(due to the input channel is high)

3.5. i8084W_AutoScan

Auto scan the I-8084W to updates 8 channels.

Syntax

```
int i8084W_AutoScan(void)
```

Parameter and Return Values

Remark

This function is used to update the hardware counter values.

The hardware counter is 16-bit.

User's code must call the function or i8084W_ReadCntPulseDir,

i8084W_ReadCntUpDown, i8084W_ReadFreq, i8084W_ReadCntUp before the hardware counter is overflow.

Under very high speed signal input, for example: 450K Hz, the 16-bit counter is overflow round 145 ms.

To avoid the overflow situation, user's code is recommended to call i8084W_AutoScan every 70 ms.

3.6. i8084W_ReadCntABPhase

The function is used to read ABPhase counter.

Syntax

```
int i8084W_ReadCntABPhase(int Slot, int Channel, long *Cnt32U, int *Overflow)
```

3.7. i8084W_ReadCntPulseDir

The function is used to Read Pulse/Dir Counter

Syntax

```
int i8084W_ReadCntPulseDir(int Slot, int Channel, long *Cnt32U, int *Overflow)
```

Parameter and Return Values

Slot:

1~8

Channel:

0 ~ 7

Cnt32L =

32-bit → UpDown Counter

Bit31= 0 → Up Count (count > 0)

Bit31 = 1 → Down Count (count < 0)

Overflow =

number of overflow

Total count =

over * 0 x 80000000 + count

Example A:

Over = 1 , count = 16384,

total count = (1) * 0 x 80000000 + 16384 = 2147500032

Example B:

Over = -1 , count = -8192,

total count = (-1)*0x80000000 -8192 = -2147491840

3.8. i8084W_ReadCntUpDown

The function is used to Read UpDown Counter

Syntax

```
int i8084W_ReadCntUpDown(int Slot, int Channel, long *Cnt32U, int *Overflow)
```

Parameter and Return Values

Slot:

1~8

Channel:

0 ~ 7

Cnt32L =

32-bit → UpDown Counter

Bit31= 0 → Up Count (count > 0)

Bit31 = 1 → Down Count (count < 0)

Overflow =

number of overflow

Total count

= over * 0 x 80000000 + count

Example A:

Over = 1 , count = 16384,

total count = (1) * 0 x 80000000 + 16384 = 2147500032

Example B:

Over = -1 , count = -8192,

total count = (-1)*0x80000000 -8192 = -2147491840

3.9. i8084W_ReadFreq

The function is used to read frequency.

Syntax

```
int i8084W_ReadFreq(int Slot, int Channel, unsigned long *Freq);
```

```
int i8084W_ReadFreq(int Slot, int Channel, float *Freq);
```

Parameter and Return Values

Slot:

1~8

Channel:

0 ~ 7

Freq:

Unit = Hz

3.10. i8084W_ReadCntUp

The function is used to Read Up Counter

Syntax

```
int i8084W_ReadCntUp(int Slot, int Channel, unsigned long *Cnt32U, unsigned int  
*OverFlow)
```

Parameter and Return Values

Slot:

1~8

Channel:

0 ~ 7

Cnt32U =

32-bit Up Counter

Overflow =

number of Overflow

Total count =

over * 0x100000000 + count

ExampleA:

over=1 , count=16384,

total count = (1)*0x100000000 +16384 = 4294983680

3.11. i8084W_ClrCnt

Clear Counter

Syntax

```
int i8084W_ClrCnt(int Slot, int Channel)
```

Parameter and Return Values

Slot:

1~8

Channel:

0 ~ 7

Return:

0 → No error

1 → The Pulse/Dir counter has one count offset (+1).

It is due to the pulse channel is high.

The correct initial situation is:

Pulse channel is low or open

dir signal is high or low.

3.12. i8084W_RecoverDefaultSetting

The function is used to recover default setting of I-8048W.

Syntax

```
void i8084W_RecoverDefaultSetting(int Slot)
```

Parameter and Return Values

Slot:

1~8

Remark

Default settings:

XOR register=0

Channel mode= 3 (Up counter mode)

Frequency operate mode = 0 (Auto mode)

Frequency update time: Auto mode = 330 ms

Low freq mode = 1000 ms

High freq mode = 100 ms

Low Pass Filter status = disable

Low Pass Filter signal width = 1 ms

3.13. i8084W_ReadXorRegister

Syntax

int i8084W_ReadXorRegister(int Slot, int Channel, int *XorReg)

Parameter and Return Values

Slot:

1~8

Channel:

0~7

XorReg:

0 → Low active (signal from High to Low, count changed)

1 → High active (signal from Low to High, count changed)

Return:

0 → OK

Others → Error codes

3.14. i8084W_SetXorRegister

Syntax

int i8084W_SetXorRegister(int Slot, int Channel, int XorReg)

Parameter and Return Values

Slot:

1~8

Channel:

0~7

XorReg:

0 → Low active (signal from High to Low, count count changed)

1 → High active (signal from Low to High, count changed)

Return:

0 → No error

1 → The Pulse/Dir counter has one count offset (+1)

(due to the input channel is high)

3.15. i8084W_ReadChannelMode

Syntax

int i8084W_ReadChannelMode(int Slot, int Channel, int *Mode)

Parameter and Return Values

Slot:

1~8

Channel:

0~7

Mode:

0 → Dir/Pulse Counter

1 → Up/Down Counter

2 → Frequency

3 → Up Counter

4 --> AB Phase

3.16. i8084W_ReadLowPassFilter_Us

Read Low Pass Filter

Syntax

```
int i8084W_ReadLowPassFilter_Us(int Slot, int Channel, unsigned int *Us);
```

Parameter and Return Values

Slot:

1~8

Channel:

0~7

Us:

1~32767, pulse width, unit = 0.001 ms

3.17. i8084W_SetLowPassFilter_Us

Set Low Pass Filter

Syntax

```
int i8084W_SetLowPassFilter_Us(int Slot, int Channel, unsigned int Us)
```

Parameter and Return Values

Slot:

1~8

Channel:

0~7

Us:

1~32767, pulse width, unit = micro second

3.18. i8084W_ReadLowPassFilter_Status

Syntax

```
void i8084W_ReadLowPassFilter_Status(int Slot,int Channel,int *Status);
```

Parameter and Return Values

Slot:

1~8

Channel:

0~7

Status:

0 = disable

1 = enable

3.19. i8084W_SetLowPassFilter_Status

Syntax

```
void i8084W_SetLowPassFilter_Status(int Slot,int Channel,int Status);
```

Parameter and Return Values

Slot:

1~8

Channel:

0~7

Status:

0 = disable

1 = enable

3.20. i8084W_ReadFreqMode

Syntax

```
void i8084W_ReadFreqMode(int Slot, int Channel, int *Mode);
```

Parameter and Return Values

Slot:

1~8

Channel:

0~7

*Mode:

0 = Auto

1 = Low Frequency

2 = High Frequency

3.21. i8084W_SetFreqMode

Syntax

```
void i8084W_SetFreqMode(int Slot, int Channel, int Mode);
```

Parameter and Return Values

Slot:

1~8

Channel:

0~7

*Mode:

0 = Auto

1 = Low Frequency

2 = High Frequency

3.22. i8084W_ReadFreqUpdateTime

Reads the update time used by frequency measurement algorithm

Syntax

```
void i8084W_ReadFreqUpdateTime(int Slot, int *AutoMode_UpdateTime ,  
int *LowMode_UpdateTime, int *HighMode_UpdateTime);
```

Parameter and Return Values

Slot:

1~8

AutoMode_UpdateTime =

time period for Auto mode, unit: ms

LowMode_UpdateTime =

time period for Low Frequency mode, unit: ms

HighMode_UpdateTime =

time period for High Frequency mode, unit: ms

3.23. i8084W_SetFreqUpdateTime

Sets the update time used by frequency measurement algorithm

Syntax

```
int i8084W_SetFreqUpdateTime(int Slot, int AutoMode_UpdateTime, int  
LowMode_UpdateTime, int HighMode_UpdateTime);
```

Parameter and Return Values

Slot:

1~8

AutoMode_UpdateTime =

time period for Auto mode, unit: ms

LowMode_UpdateTime =

time period for Low Frequency mode, unit: ms

HighMode_UpdateTime =

time period for High Frequency mode, unit: ms

3.24. i8084W_ReadDI_Xor

Syntax

```
int i8084W_ReadDI_Xor(int Slot, int *DI);
```

Parameter and Return Values

Slot:

1~8

*DI: Bit0 = DI of A0 after XorControl

*DI: Bit1 = DI of B0 after XorControl

...

*DI: Bit7 = DI of B3 after XorControl

Return:

0 → OK

<> 0 → Error codes

3.25. i8084W_ReadDI_XorLPF

Syntax

```
int i8084W_ReadDI_XorLPF(int Slot, int *DI);
```

Parameter and Return Values

Slot:

1~8

*DI: Bit0 = DI of A0 after XorControl & Low Pass Filter

*DI: Bit1 = DI of B0 after XorControl & Low Pass Filter

...

*DI: Bit7 = DI of B3 after XorControl & Low Pass Filter

Return:

0 → OK

<> 0 → Error codes

3.26. i8084W_EepWriteEnable

Write_Enable EEPROM

Syntax

```
int i8084W_EepWriteEnable(int Slot);
```

Parameter and Return Values

Slot:

1~8

Return:

0 → OK

Others → Error codes

3.27. i8084W_EepWriteDisable

Write_Disable EEPROM

Syntax

```
int i8084W_EepWriteDisable(int Slot);
```

Parameter and Return Values

Slot:

1~8

Return:

0 → OK

Others → Error codes

3.28. i8084W_EepWriteWord

Write 16-bit data to EEP

Syntax

```
int i8084W_EepWriteWord(int Slot, int Addr, int Value);
```

Parameter and Return Values

Slot:

1~8

Addr:

0~39 for users

40~63 for 8084 configuration

Value = two bytes integer

Return:

0 → OK

-1 → Address error

3.29. i8084W_EepReadWord

Read 16-bit data to EEP

Syntax

```
int i8084W_EepReadWord(int Slot, int Addr, int *Value);
```

Parameter and Return Values

Slot:

1~8

Addr:

0~39 for users

40~63 for 8084 configuration

Value = two bytes integer

Return:

0 → OK

-1 → Address error



I-8084W

User Manual

Version 1.0 beta1, June 2009

Service and usage information for
LinPAC-8000 Series

Warranty

All products manufactured by ICP DAS are under warranty regarding defective materials for a period of one year, beginning from the date of delivery to the original purchaser.

Warning

ICP DAS assumes no liability for any damage resulting from the use of this product.

ICP DAS reserves the right to change this manual at any time without notice. The information furnished by ICP DAS is believed to be accurate and reliable. However, no responsibility is assumed by ICP DAS for its use, no for any infringements of patents or other rights of third parties resulting from its use.

Copyright

Copyright © 2009 by ICP DAS Co., Ltd. All rights are reserved.

Trademarks

The names used in this manual are for identification purpose only and may be registered trademarks of their respective companies.

Table of Contents

Table of Contents	3
1. Introduction to the I8084W	5
1.1. Specification	5
1.2. Pin Assignment	7
1.3. I/O Structure	8
1.4. Wiring Connection	12
2. Hardware Operation Principle	14
2.1. Input Signal Model	14
2.2. Digital Low Pass Filter	17
2.3. Operation Mode	27
2.3.1. MODE 00: PULSE /DIR COUNTING	28
2.3.2. MODE 01: UP/DOWN COUNTING	29
2.3.3. MODE 02: FREQUENCY MODE	30
2.3.4. MODE 03: UP COUNTING	31
2.3.5. MODE 04: QUADRANT COUNTING	32
3. Usage on the LinPAC	33
3.1. i8084W_GetLibVersion	33
3.2. i8084W_GetLibDate	35
3.3. i8084W_InitDriver	36
3.4. i8084W_SetChannelMode	37
3.5. i8084W_AutoScan	38
3.6. i8084W_ReadCntABPhase	39
3.7. i8084W_ReadCntPulseDir	40
3.8. i8084W_ReadCntUpDown	41
3.9. i8084W_ReadFreq	42
3.10. i8084W_ReadCntUp	43
3.11. i8084W_ClrCnt	44
3.12. i8084W_RecoverDefaultSetting	45
3.13. i8084W_ReadXorRegister	46
3.14. i8084W_SetXorRegister	47
3.15. i8084W_ReadChannelMode	48

3.16.	i8084W_ReadLowPassFilter_Us	49
3.17.	i8084W_SetLowPassFilter_Us	50
3.18.	i8084W_ReadLowPassFilter_Status	51
3.19.	i8084W_SetLowPassFilter_Status	52
3.20.	i8084W_ReadFreqMode	53
3.21.	i8084W_SetFreqMode	54
3.22.	i8084W_ReadFreqUpdateTime	55
3.23.	i8084W_SetFreqUpdateTime	56
3.24.	i8084W_ReadDI_Xor	57
3.25.	i8084W_ReadDI_XorLPF	58
3.26.	i8084W_EepWriteEnable	59
3.27.	i8084W_EepWriteDisable	60
3.28.	i8084W_EepWriteWord	61
3.29.	i8084W_EepReadWord	62

1. Introduction to the I8084W

I-8084W is a 4/8-channel Counter/Frequency Module.

1.1. Specification

Digital Input	
Mode	4-ch Up/Down Counter (Up/Down)
	4-ch Dir/Pulse Counter (Bi-direction)
	4-ch Quadrant Counting
	8-ch Up Counter
	8-ch Frequency
	Programmable Built-in gate time: 0.33 sec (Default)
	Programmable Digital Noise Filter: 1 ~ 32737 μ s
Isolated Input Level	Logic Level 0: +1 V max
	Logic Level 1: +4.5 ~ 30 V
TTL Input Level	Logic Level 0: 0 ~ 0.8 V
	Logic Level 1: 2 ~ 5 V
Input Frequency	0 ~ 450 kHz (Frequency Mode)
	450 kHz (Counter Mode)
Minimum Pulse Width	1 μ s (Frequency Mode)
	1 μ s (Counter Mode)
EEPROM	128 KB
Isolated Voltage	1000 Vrms
ESD Protection	2 kV (Contact for each channel)

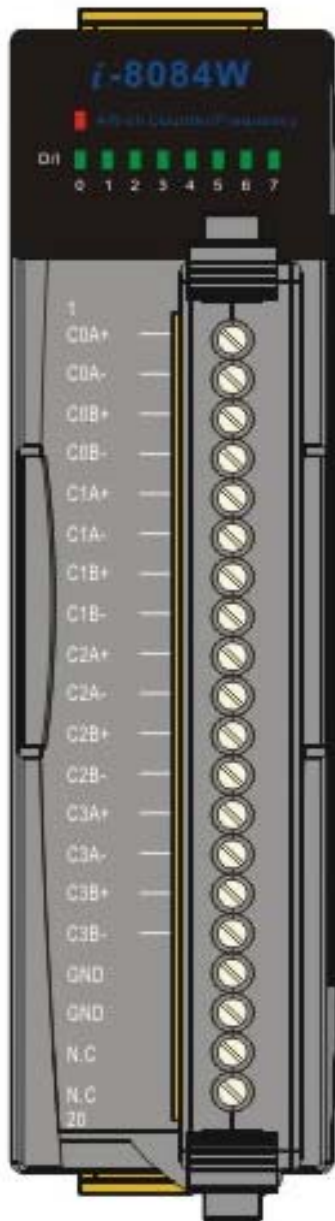
LED Display	
1 LED as Power Indicator	
8 LEDs as Digital Input Indicators	

Power	
Power Consumption	1 W

Environment	
Operating Temperature	-25 ~ 75 °C
Storage Temperature	-30 ~ 85 °C
Humidity	5 ~ 95 % RH, Non-condensing

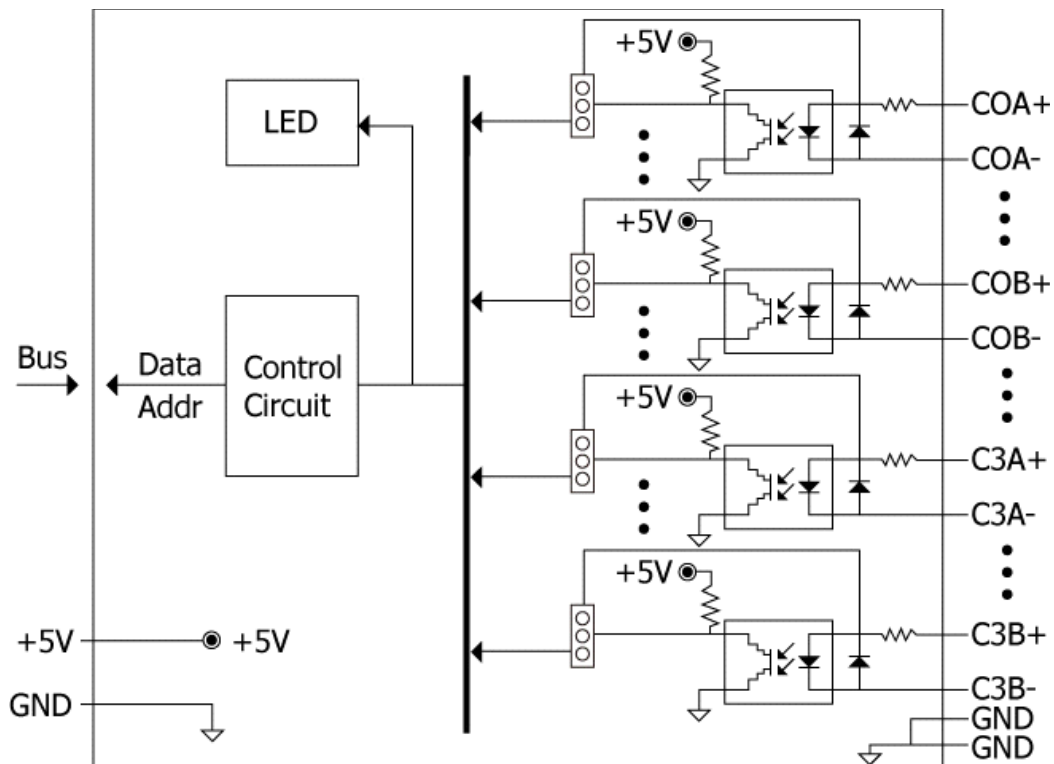
Dimensions	
30 mm x 85 mm x 114 mm (W x L x H)	

1.2. Pin Assignment

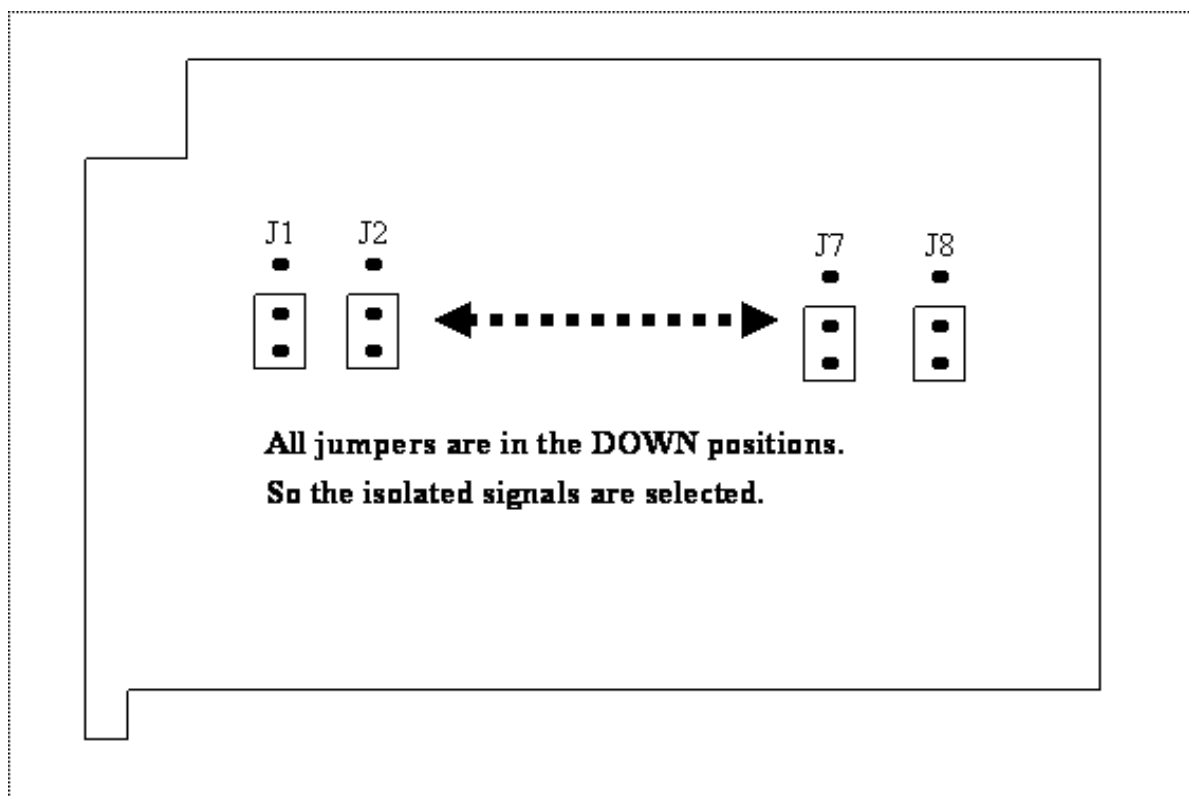


Terminal No.	Pin Assignment
01	C0A+
02	C0A-
03	C0B+
04	C0B-
05	C1A+
06	C1A-
07	C1B+
08	C1B-
09	C2A+
10	C2A-
11	C2B+
12	C2B-
13	C3A+
14	C3A-
15	C3B+
16	C3B-
17	GND
18	GND
19	N.C
20	N.C

1.3. I/O Structure

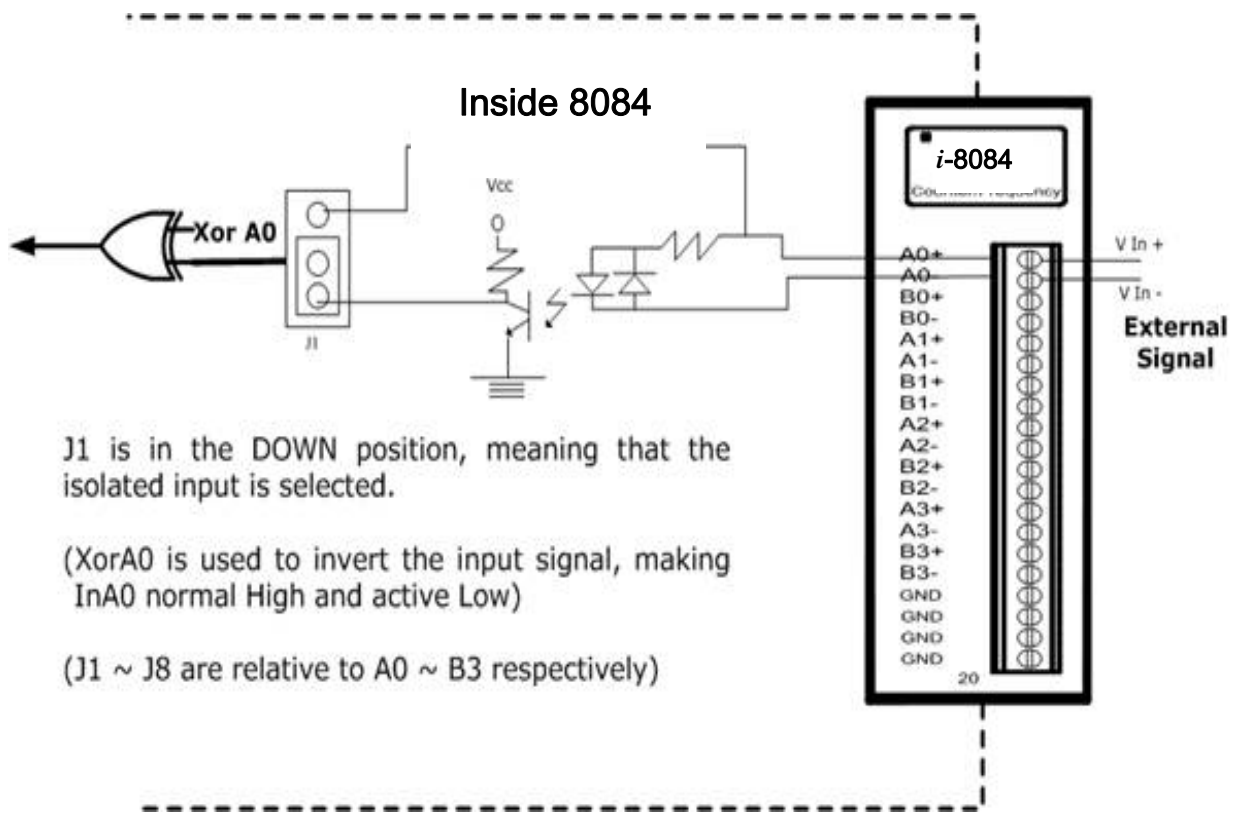


The default jumper settings are as follows:



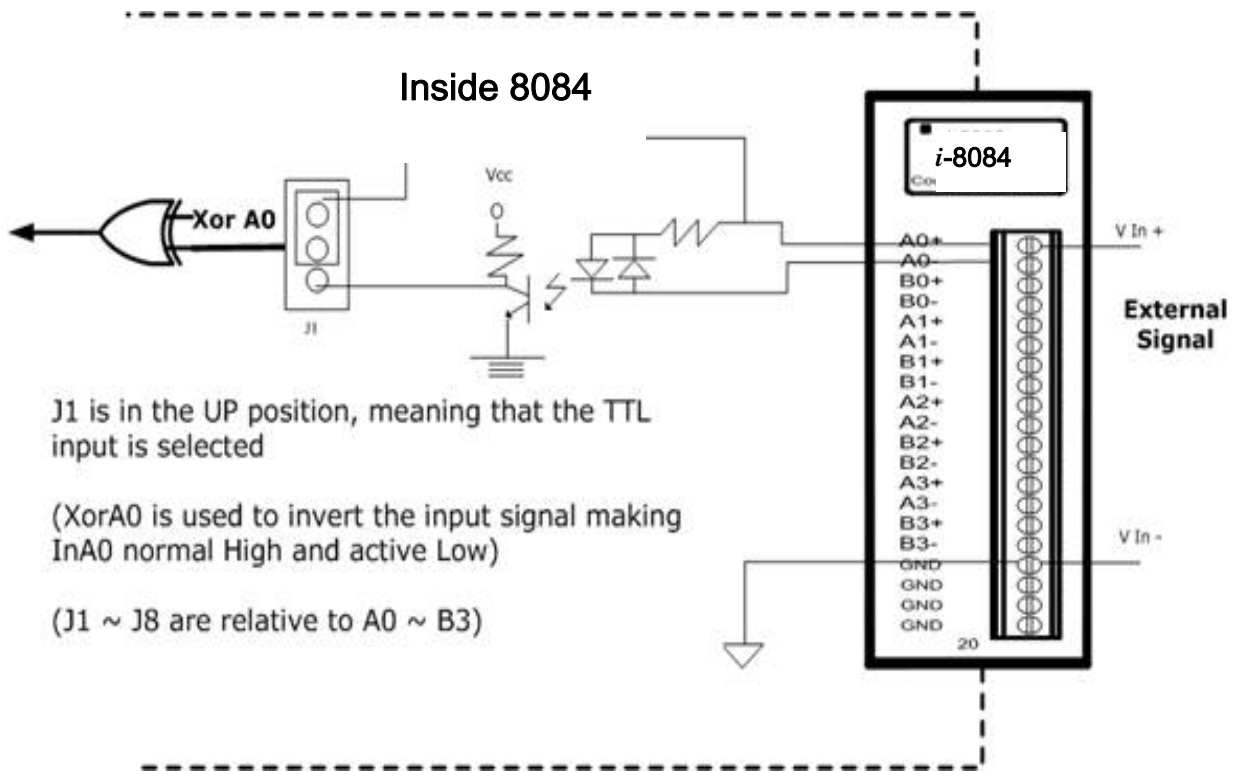
Isolated

Input:



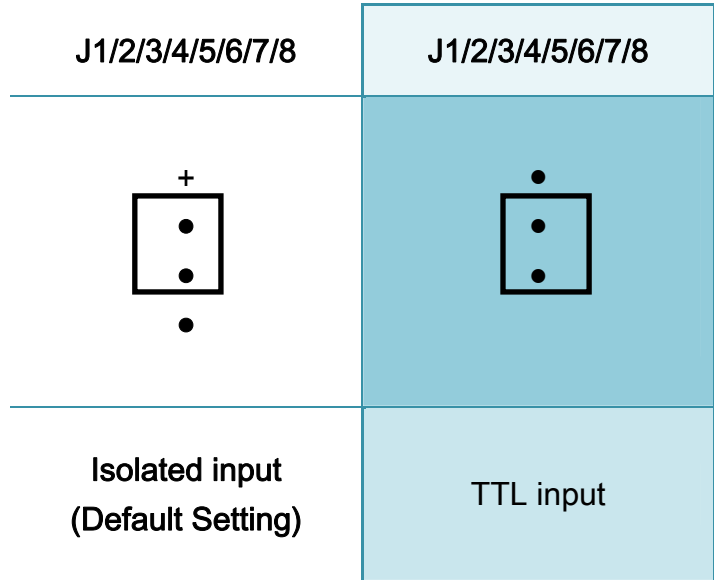
TTL

Input:



Isolated or TTL input is selected by using JP1 to JP3 as indicated below:

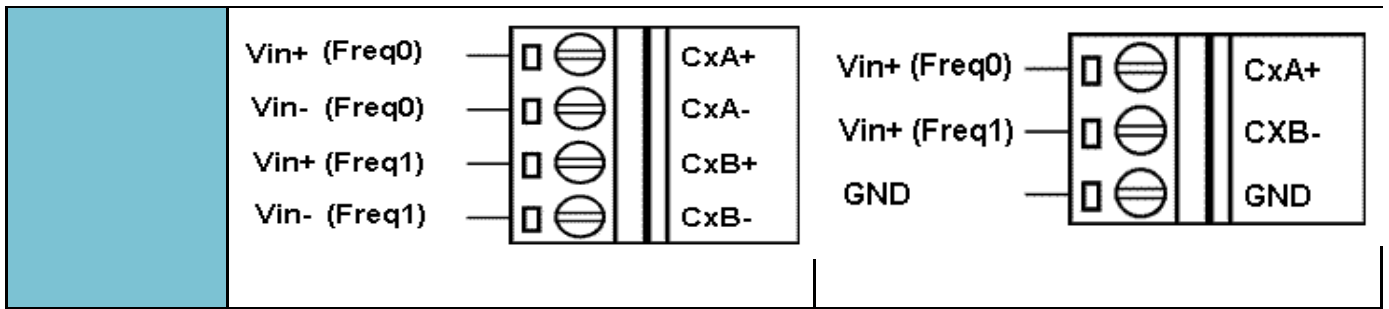
J1	Select A0
J2	Select B0
J3	Select A1
J4	Select B1
J5	Select A2
J6	Select B2
J7	Select A3
J8	Select B3



1.4. Wiring Connection

Counter Type		
Mode	Isolation	No-n-Isolation
Dir/Pulse		
Up/Down		
Up		
Quadrant		

Frequency Type		
Mode	Isolation	No-n-Isolation



2. Hardware Operation Principle

2.1. Input Signal Model

1. Isolated Input (XOR=0)

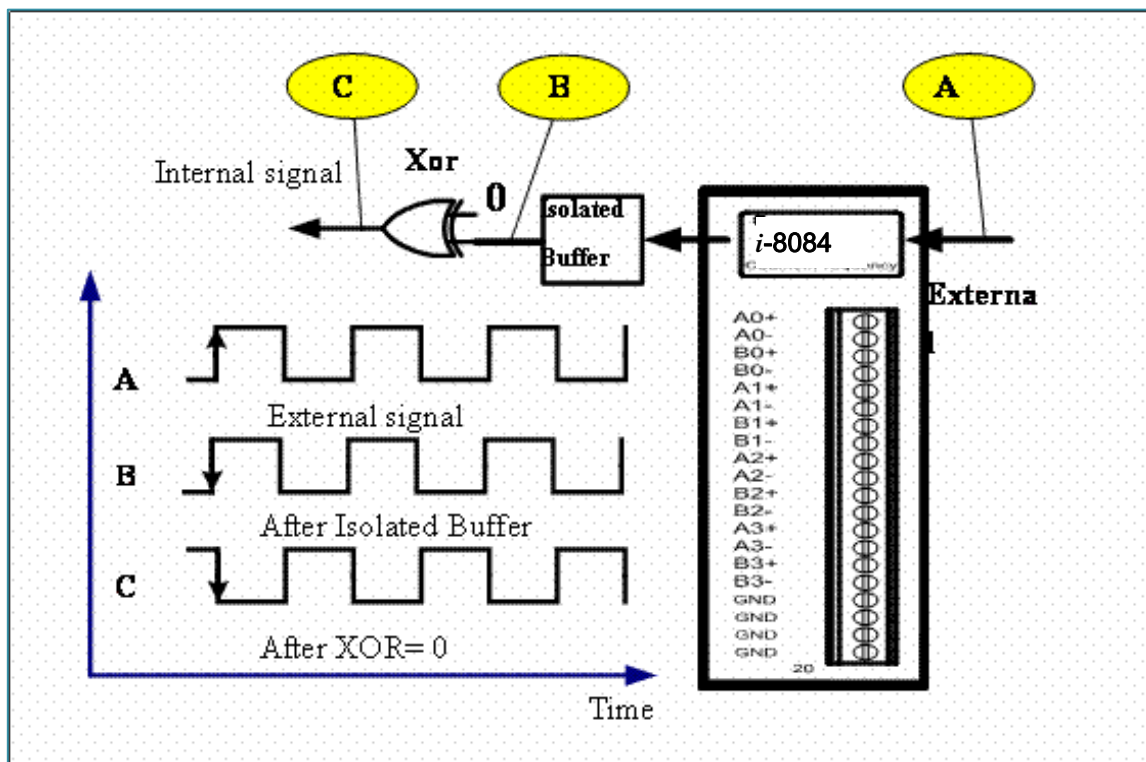
The operational logic applied on the 8084 modules is the falling edge trigger.

(Normal High and Active Low)

The external signal is input into an 8084 module through the isolated mechanism, with the signal being reversed from the external signal.

This internal signal is the suggested waveform, as it doesn't need to execute the XOR operation (XOR=0).

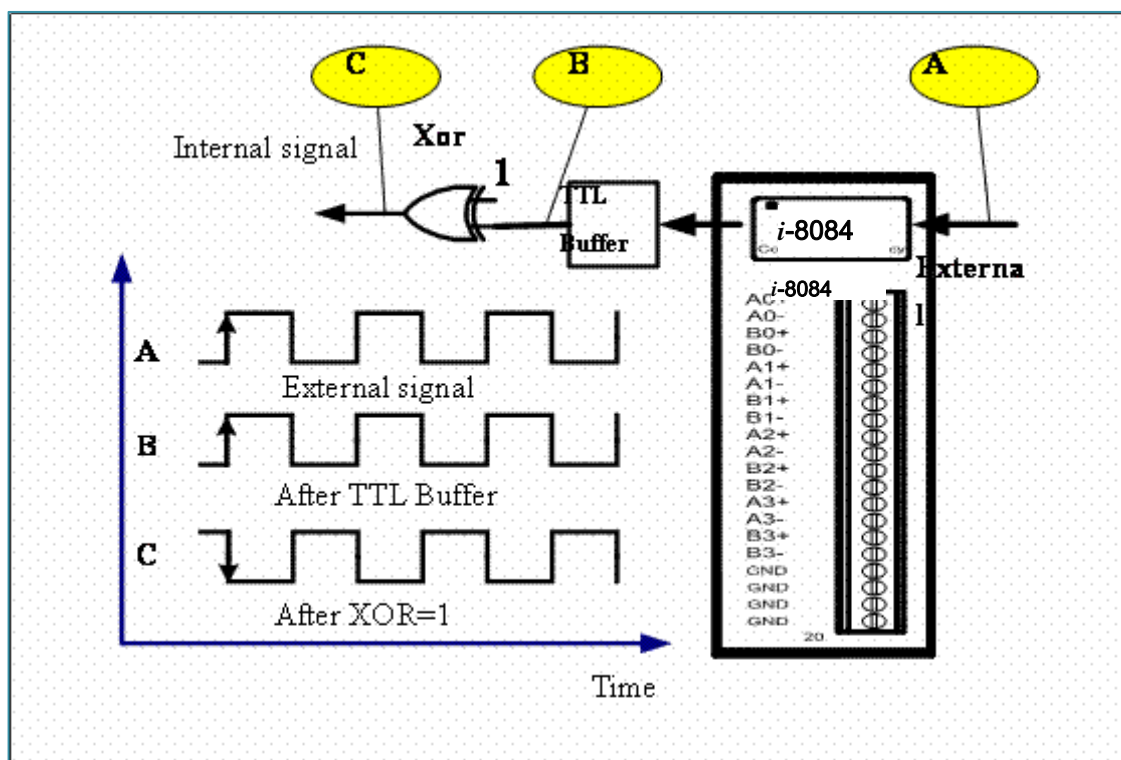
The solution is shown below.



2. TTL Input (XOR=1)

When an external TTL signal is input into an 8084 module through the TTL mechanism, the signal will be the same as the external signal. This internal signal isn't the recommended waveform as it must execute the exclusive OR (XOR=1) operation.

The solution is shown below.

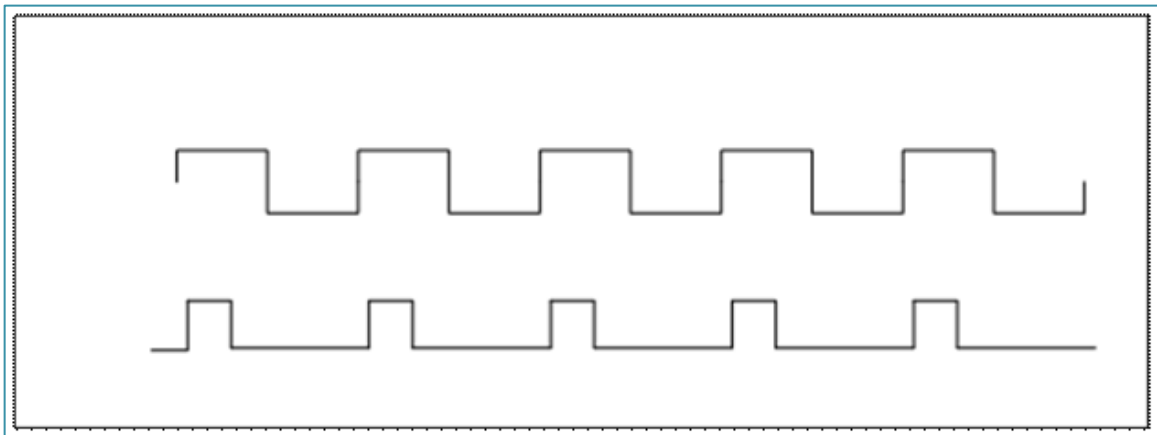


3. Always XOR=0

Regardless of whether the input signal is TTL or isolated, XOR is always set to 0, and the maximum count error can only be 1. XOR=0 can be used for all cases, if a 1-count error is acceptable.

Note:

- When XOR=0 and the 8084 module status is OPEN status (i.e. no signals on the input terminal) , regardless of whether you select the TTL or Isolated mode, the signal at the C point will always be 1. Similarly, if XOR=1 and the status is OPEN, then the signal at the C point will always be 0.
- If the input signal is a pulse rather than a 50/50 duty cycle square waveform, then the 1-count error will not occur as the pulse width is shorter..

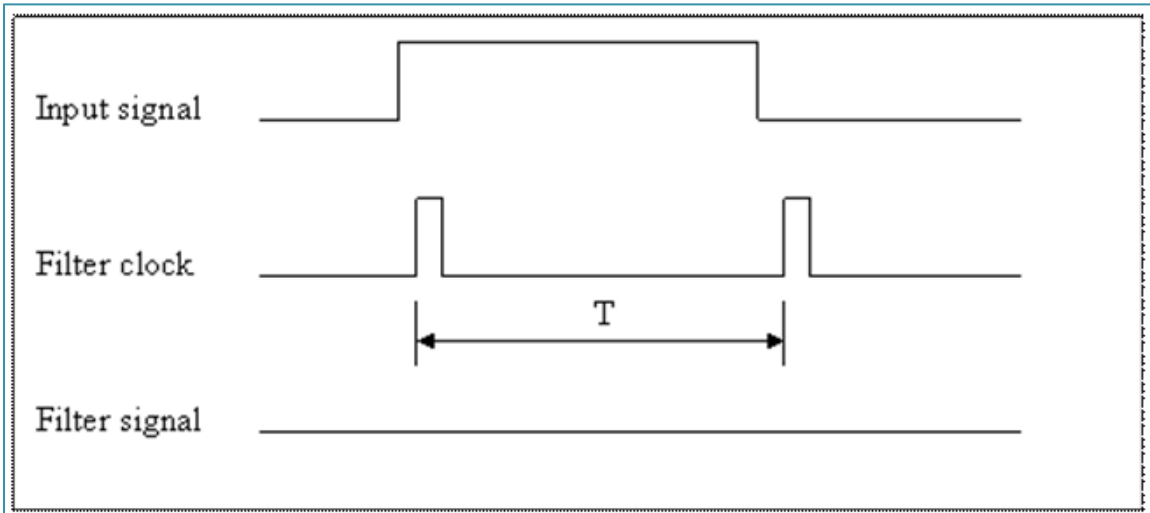


2.2. Digital Low Pass Filter

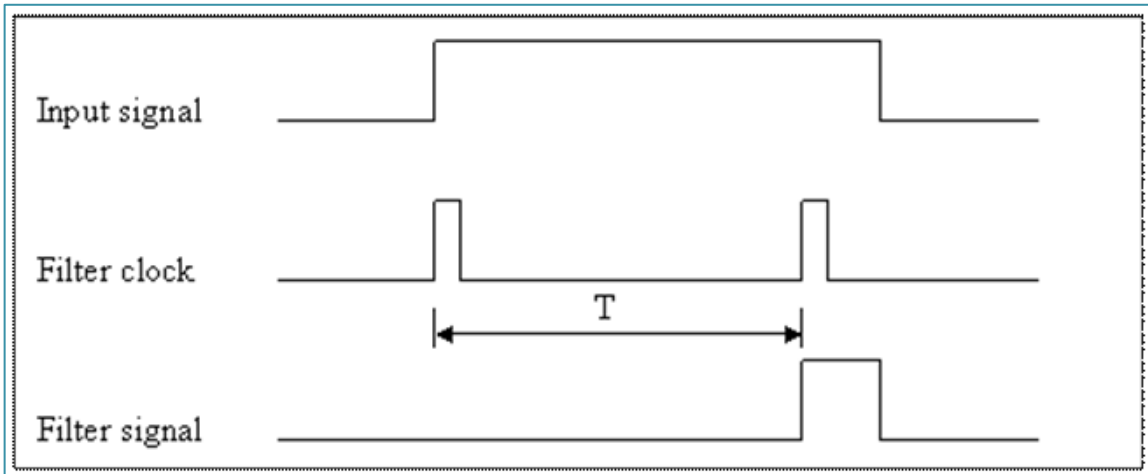
The 8084 has three independent 2nd-order digital noise filters, LP0, LP1 & LP2, to remove noises as follows:

Channel	Low Pass Filter
A0	Low Pass Filter 0
B0	Low Pass Filter 0
A1	Low Pass Filter 1
B1	Low Pass Filter 1
A2	Low Pass Filter 2
B2	Low Pass Filter 2
A3	Low Pass Filter 2
B3	Low Pass Filter 2

- The Low Pass Filter can be either disabled or programmable from 2 μ s to 65535 μ s.
- The Low Pass Filter will apply to all working modes, counter or frequency.
- These 3 Low Pass Filters are disabled status in the default shipping. User defined program can be used to issue a command to enable or disable the filters.
- Assume that the filter clock of the Low Pass Filter is set to T, this clock is used to sample the input signal.
- If one of the adjacent 2 samples is low, then the input signal will be removed as follows:



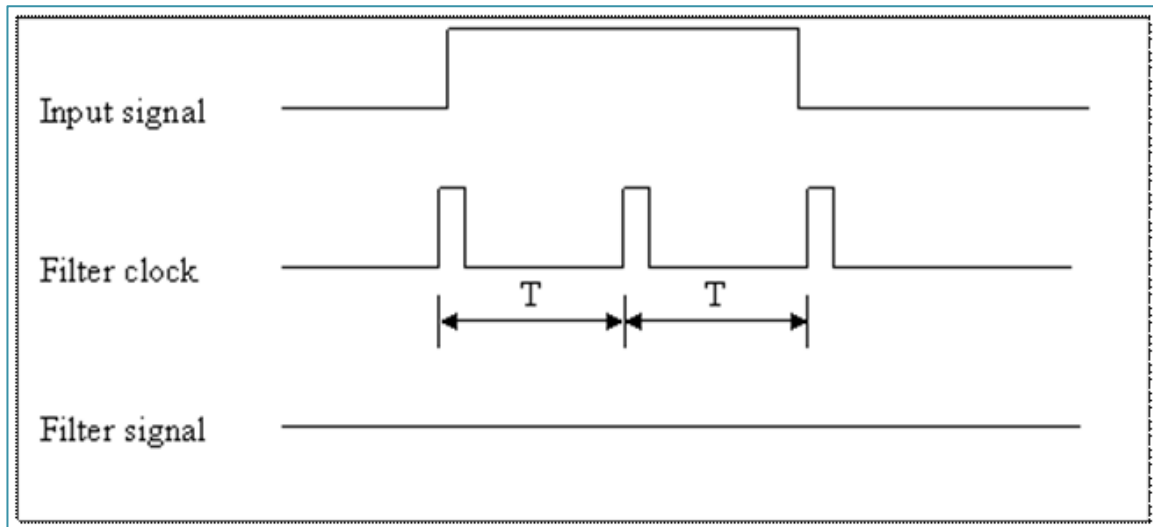
- If the high width of the input signal is shorter than T , it will be filtered.
- If the adjacent 2 samples are all HIGH, the input signal can pass as indicated below:



Note: the filter signal is shorter than the original input signal.

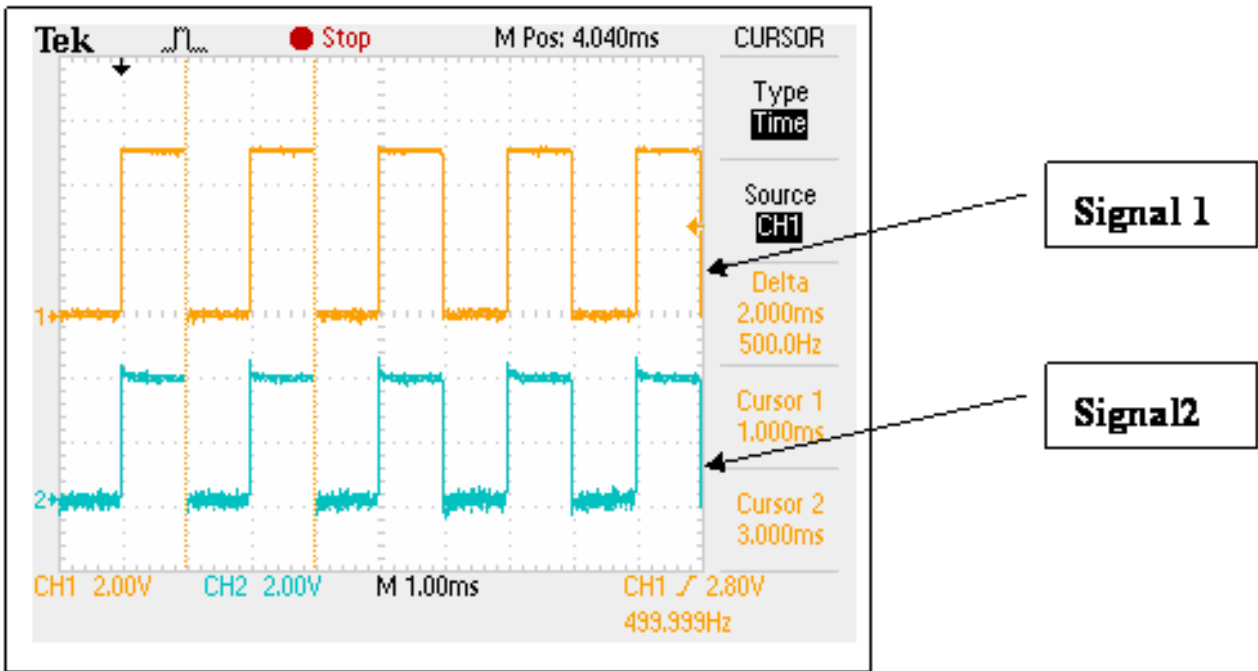
|

- If the input signal is shorter than $2T$, it may be filtered in the following manner:



- The relationship between the input signal and the filter signal is as follows:
 - if $(2T < \text{input signal})$, it will pass
 - if $(T \leq \text{input signal} \leq 2T)$, it may be filtered or passed
 - if $(\text{input signal} < T)$, it will be filtered
- The software driver, `i8084_SetLowPassUs` (`int Slot`, `int Channel`, `unsigned int Us`), provides an parameter, `Us` which can be used to set the Low Pass Filter as follows:
 - if `Us=1` and $2T = 1\mu\text{s}$ then $T = 0.5\mu\text{s}$ and $\text{signal} \leq 0.5\mu\text{s}$ will be removed
 - if `Us=2` and $2T = 2\mu\text{s}$ then $T = 1\mu\text{s}$ and $\text{signal} \leq 1\mu\text{s}$ will be removed
 - if `Us=N`, `N` from 1 to `0x7fff` and $2T = N\mu\text{s}$ then $\text{signal} \leq (N/2)\mu\text{s}$ will be removed
- The Low Pass Filter range can be configured from $1\mu\text{s}$ to $32767\mu\text{s}$. The high width of the signal $< (Us/2)$ will be removed.

For example, if you use a function generator as signal source, the 500Hz signal & 50/50 duty cycle will generate a 1000 μ s high & 1000 μ s low as follows:



Input signal=500Hz & Low Pass Filter Disable

Signal 1 =

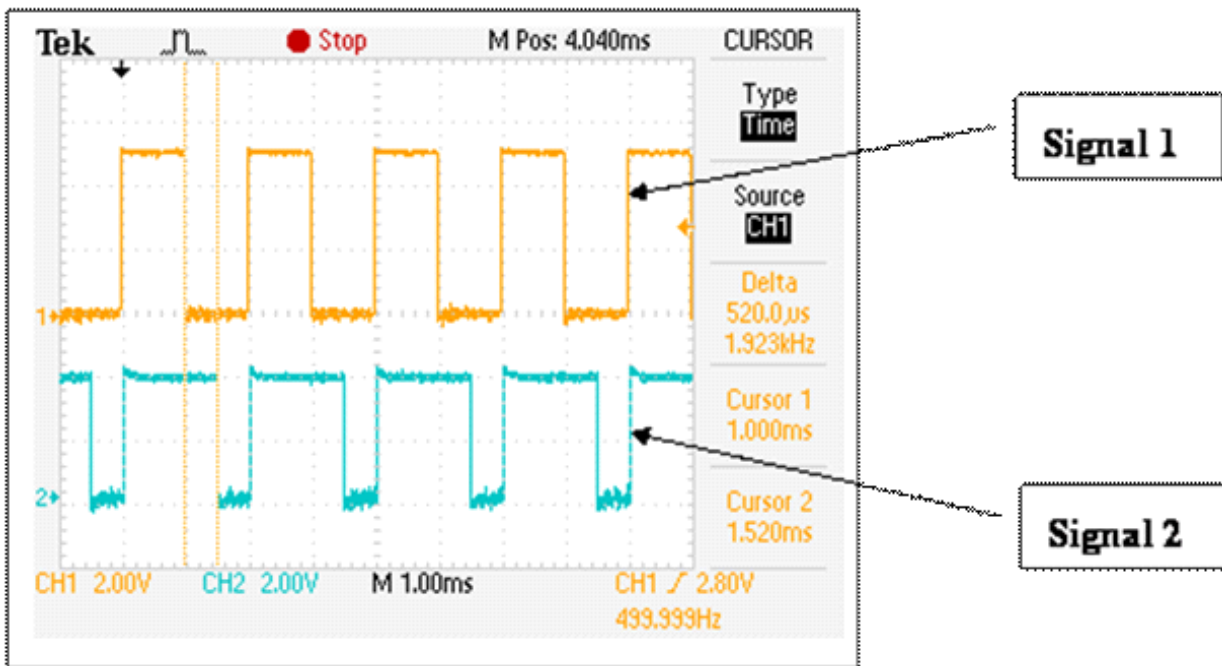
input signal=500Hz, 50/50 duty cycle

Signal 2 =

input signal after Xor and Low Pass Filter, now Xor=0 and Low Pass Filter is disable.

If the Low Pass Filter is disabled, signal 2 will be the same as signal 1 in the above diagram.

If the Low Pass Filter is enabled, signal 2 will be shorter than signal 1 as shown below:



Input signal=500Hz & Low Pass Filter Enabled=1μs

Signal 1 =

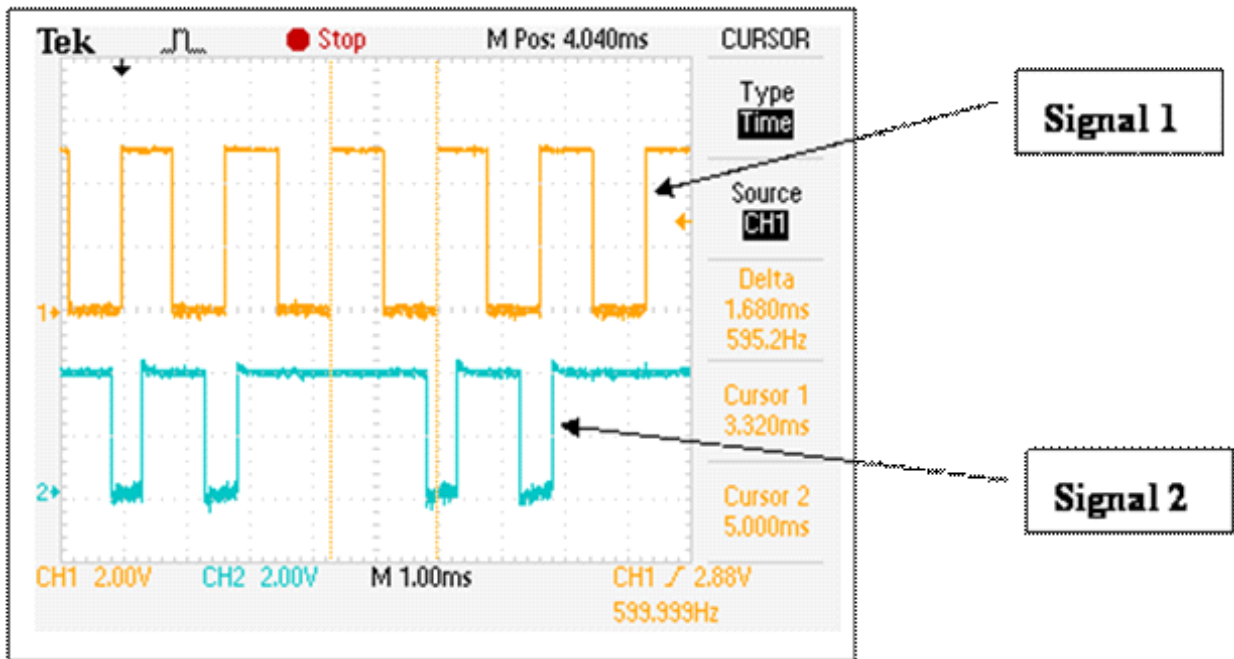
input signal=500Hz, 50/50 duty cycle

Signal 2 =

input signal after Xor and Low Pass Filter, now Xor=0 and the Low Pass Filter is enabled.

Nearly all pulses are passed.

Now you can find that nearly all pulses are passed. If the input signal is increased to 600Hz, then some of the pulses are filtered as follows:



Input signal=600Hz & Low Pass Filter Enabled=1 μ s

Signal 1 =

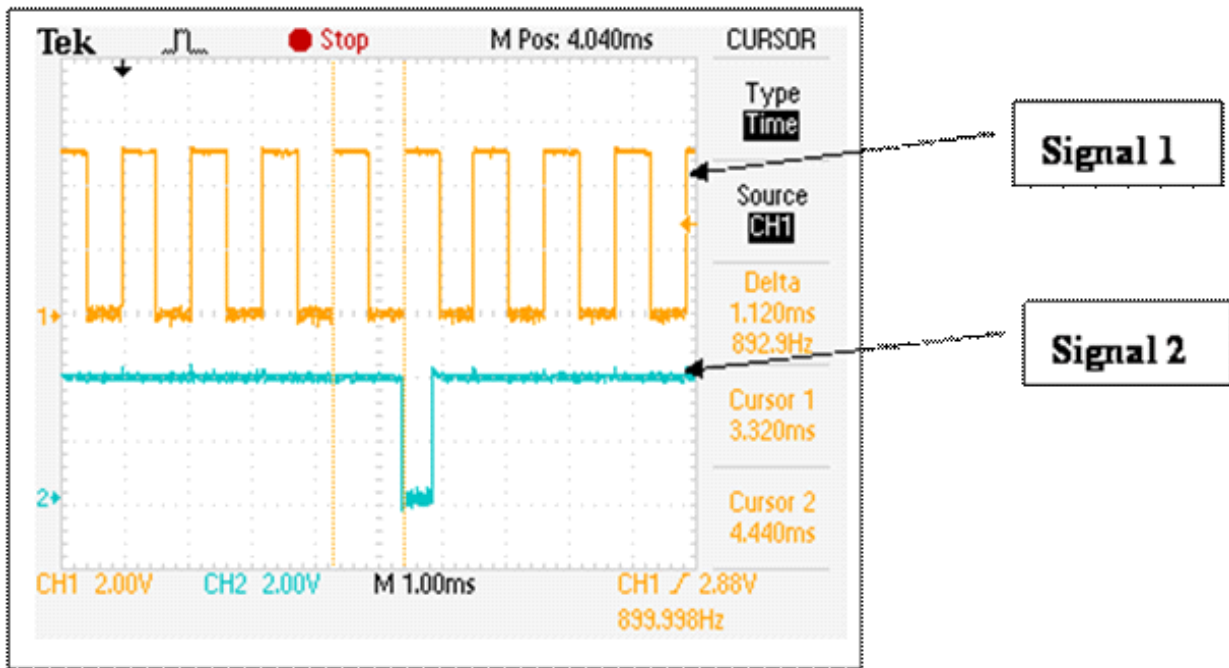
input signal=600Hz, 50/50 duty cycle.

Signal 2 =

input signal after Xor and Low Pass Filter, now Xor =0 and Low Pass Filter is enabled.

Some pulses are filtered.

If the input signal is increased to 900Hz, then nearly all pulses are filtered as illustrated below:



Input signal=900Hz & Low Pass Filter Enabled=1 μ s

Signal 1 =

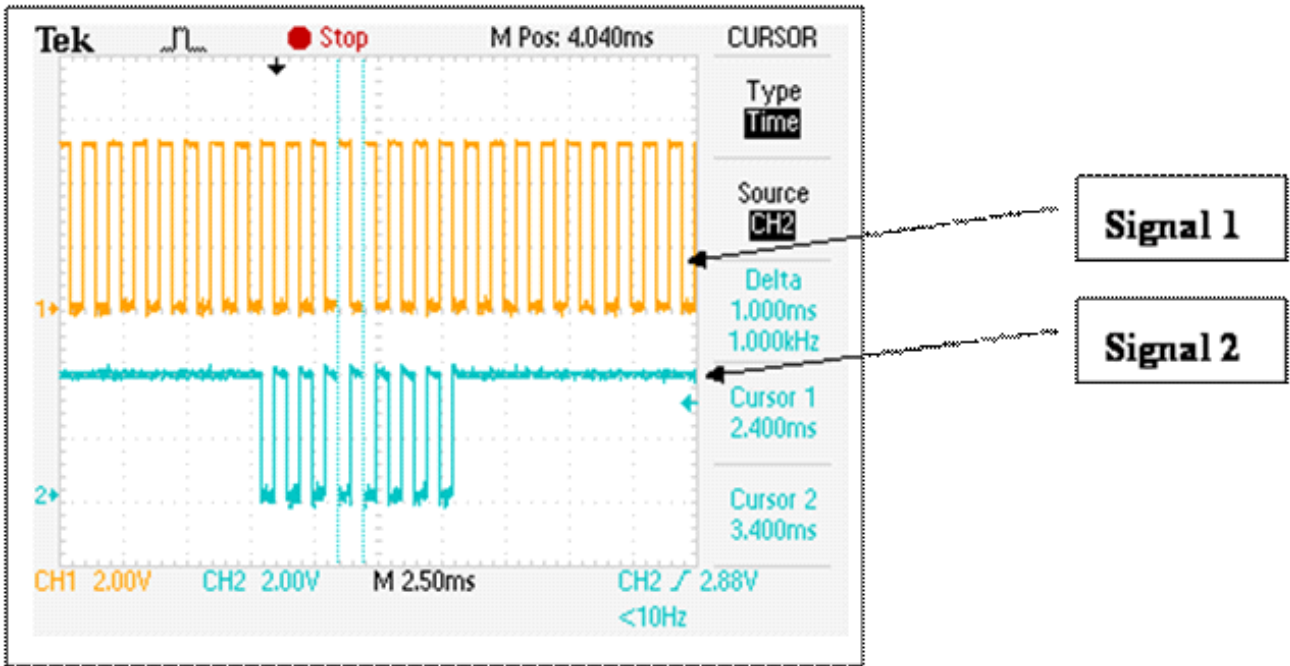
input signal=900Hz, 50/50 duty cycle

Signal 2 =

input signal after Xor and Low Pass Filter, now Xor=0 and the Low Pass Filter is enabled.

Nearly all pulses are filtered.

Because there are some frequency offset errors in the internal crystal, there may be some noises when the input signal width = Low Pass Filter/2 as follows:



Input signal=1000Hz & Low Pass Filter Enabled=1μs

Signal 1 =

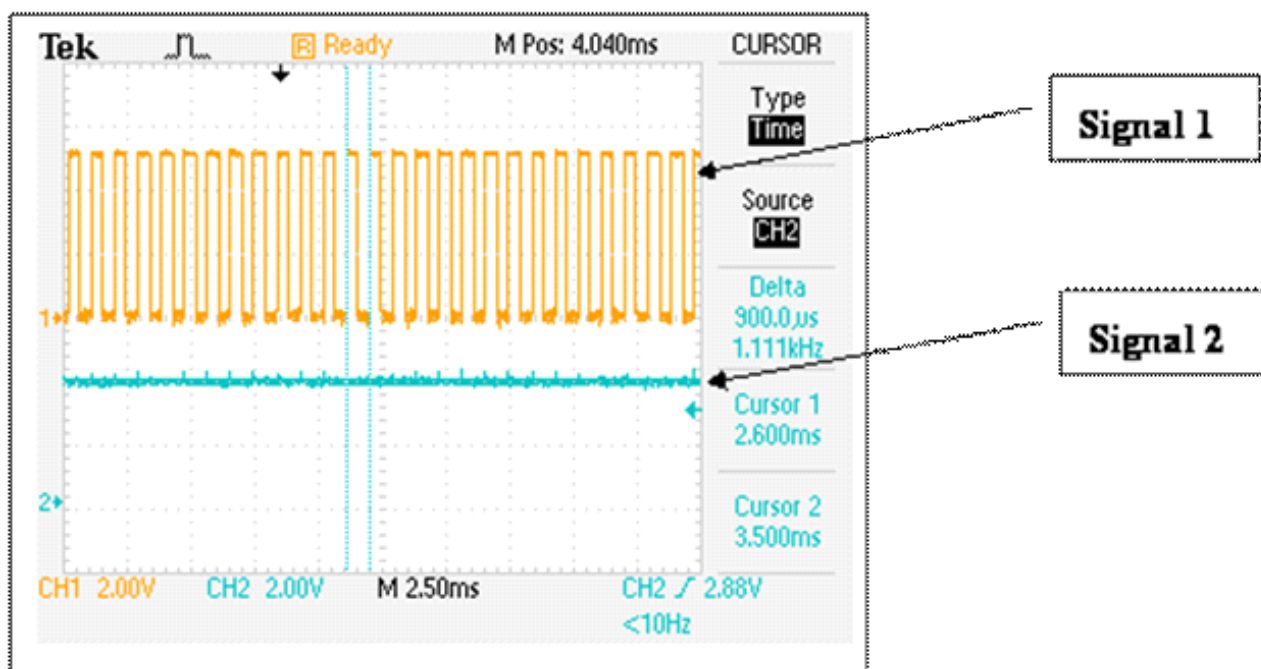
input signal=1000Hz, 50/50 duty cycle à pulse width=500 μs

Signal 2 =

input signal after Xor and Low Pass Filter, now Xor=0 and the Low Pass Filter is enabled. Signal Pulse=500 μs=Low Pass Filter/2.

Nearly all pulses are filtered, but sometimes certain noises will not be filtered.

If the input signal is increased to 1100Hz, then all pulses will be filtered as shown in Figure 1-12:



Input signal=1100Hz & Low Pass Filter Enabled= $1\mu\text{s}$

In summary, apply the minimum 1µs on Low Pass Filters.

The result of the signal being processed by the Low Pass Filter as follows:

Input signal frequency(Hz)	After Low Pass Filter processing	Reference
Input signal <500Hz (Low Pass Filter=1µs)	All signals will be passed	Figure 1
Input signal =500Hz (Low Pass Filter=1µs)	All signals should be passed	Figure 2
Input signal =600Hz (Low Pass Filter=1µs)	Some signals will be filtered and some will be passed	Figure 3
Input signal =900Hz (Low Pass Filter=1µs)	Many signals will be filtered and few will be passed	Figure 4
Input signal =1000Hz (Low Pass Filter=1µs)	Nearly all signals are filtered	Figure 5
Input signal =1100Hz (>1k Hz) (Low Pass Filter=1µs)	All signals will be filtered	Figure 6

For the same reason, if the signal pulse=Low Pass Filter, certain pulses may be filtered.

Therefore, it is recommended to set the cycle time of Low Pass Filter about 5% less than the cycle time of input signal pulse as shown below:

Input pulse =1 ms = 1000 µs à set Low Pass Filter <=950 µs

if Input pulse = 100 µs , set Low Pass Filter <= 95 µs

The minimum Low Pass Filter = 1 µs , input signal < 475K, 50/50 duty cycle

As a result, the maximum speed of the 8084 is recommended to 450K, 50/50 duty cycle.

2.3. Operation Mode

Operation Mode	Description	Number of counter and frequency sets
00	Dir/Pulse counting mode	4 sets
01	Up/Down counting mode	4 sets
02	Frequency mode	8 sets
03	Up counting mode	8 sets
04	Quadrant Counting mode	4 sets

The input channels mapping table and working modes are indicated below:

	Mode 00	Mode 01	Mode 02	Mode 03	Mode 04
A0	Pulse 0	Up 0	Frequency 0	Up 0	A0
B0	Dir 0	Down 0	Frequency 1	Up 1	B0
A1	Pulse 2	Up 2	Frequency 2	Up 2	A1
B1	Dir 2	Down 2	Frequency 3	Up 3	B1
A2	Pulse 4	Up 4	Frequency 4	Up 4	A2
B2	Dir 4	Down 4	Frequency 5	Up 5	B2
A3	Pulse 6	Up 6	Frequency 6	Up 6	A3
B3	Dir 6	Down 6	Frequency 7	Up 7	B3

CountN =

the counter value for channel N, 32bit wide, from -2147483648 to 2147483647

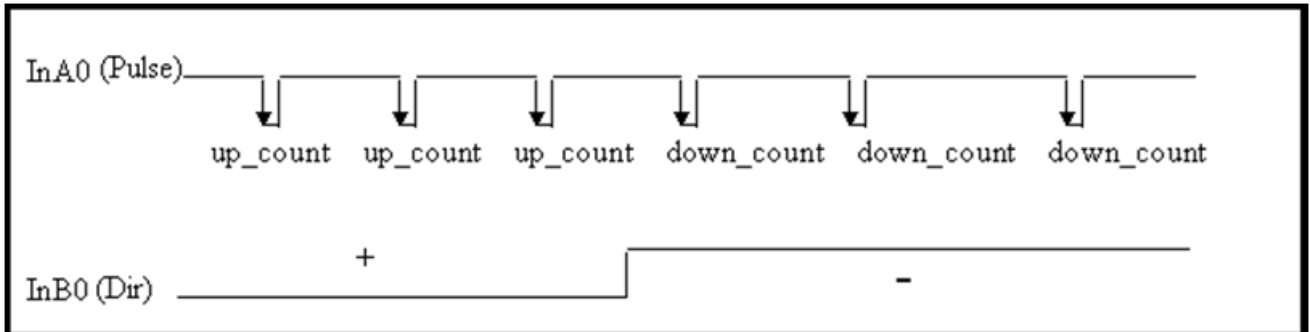
OverflowN =

the counting overflow number for channel N, 16bit wide, from -32768 to 32767

Total Counting Value bit = 32bit + 16bit = 48bit

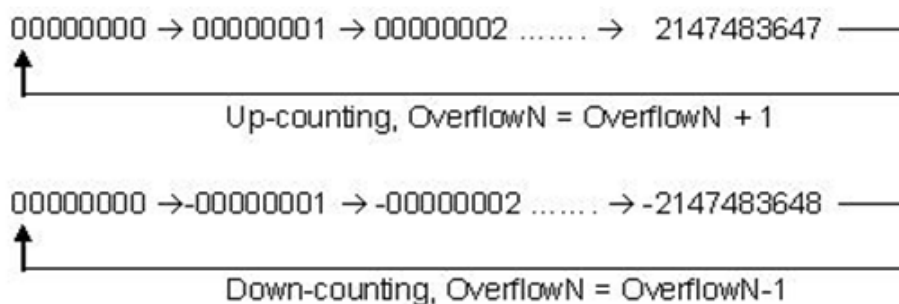
2.3.1.Mode 00: Pulse /Dir Counting

The counter operation for mode 00 (Dir/Pulse mode) is as follows:



- When InB0 is used as Dir, if InB0 is High, counter_0 will be increased by one for every falling edge of InA0.
- If InB0 is Low, counter_0 will be decreased by one for every falling edge of InA0.

The counter operation is given as follows:



Pulse/Dir Counter	Counting Variable	Total Counting Value
A0, B0	Count0, Overflow0	Count0 + Overflow0 * 2147483648
A1, B1	Count2, Overflow2	Count2 + Overflow2 * 2147483648
A2, B2	Count4, Overflow4	Count4 + Overflow4 * 2147483648
A3, B3	Count6, Overflow6	Count6 + Overflow6 * 2147483648

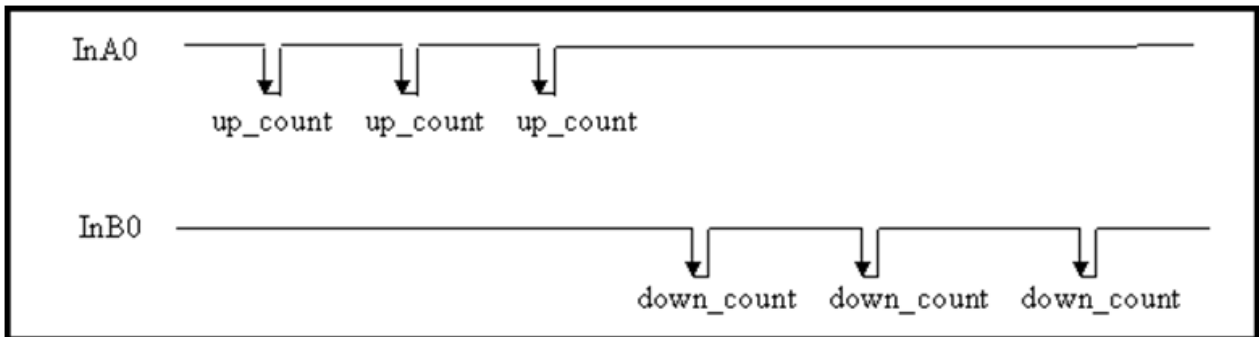
CountN = the counter value for channel N, 32bit wide, from -2147483648 to 2147483647

OverflowN = the counting overflow number for channel N, 16bit wide, from -32768 to 32767

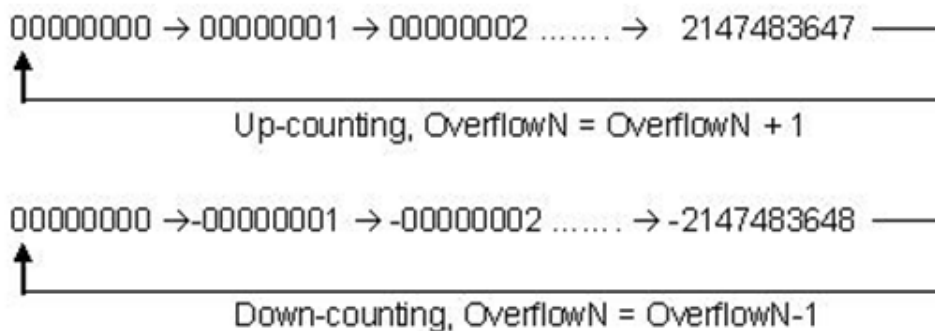
Total Counting Value bit = 32bit + 16bit = 48bit

2.3.2.Mode 01: Up/Down Counting

The counter operation for mode 01 (Up/Down mode) is as follows:



When InA0 is used as a UP_clock and InB0 is used as a DOWN_clock. The counter_0 will be increased by one for every falling edge of InA0 and decreased by one for every falling edge of InB0.



Up/Down Counter	Counting Variable	Total Counting Value
A0, B0	Count0, Overflow0	Count0 + Overflow0 * 2147483648
A1, B1	Count2, Overflow2	Count2 + Overflow2 * 2147483648
A2, B2	Count4, Overflow4	Count4 + Overflow4 * 2147483648
A3, B3	Count6, Overflow6	Count6 + Overflow6 * 2147483648

CountN =

the counter value for channel N, 32bit wide, from -2147483648 to 2147483647

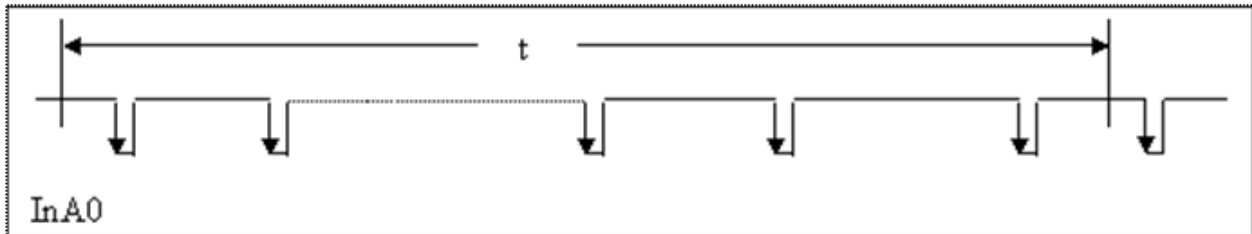
OverflowN =

the counting overflow number for channel N, 16bit wide, from -32768 to 32767

Total Counting Value bit = 32bit + 16bit = 48bit

2.3.3.Mode 02: Frequency Mode

The frequency operation for mode 02 is as follows:



Frequency	Frequency Variable
A0	Frequency0
B0	Frequency1
A1	Frequency2
B1	Frequency3
A2	Frequency4
B2	Frequency5
A3	Frequency6
B3	Frequency7

Period of update time $t = 0.33$ second is the default setting. A user defined command can be used to change the value of t for special applications.

$$\text{Frequency} = \text{Counter value} / \text{Period of scan time}$$

Assume $t = 0.1$ seconds,

If count = 1 à frequency = $1/(0.1/1) = 10$ Hz

If count = 10 à frequency = $1/(0.1/10) = 100$ Hz

All frequency channels will be updated every 0.1 seconds for $t = 0.1$ seconds.

The software driver provides three ways to adjust.

They are Auto select, Low and High Frequency. (The default is Auto select)

The default configuration data is as follows:

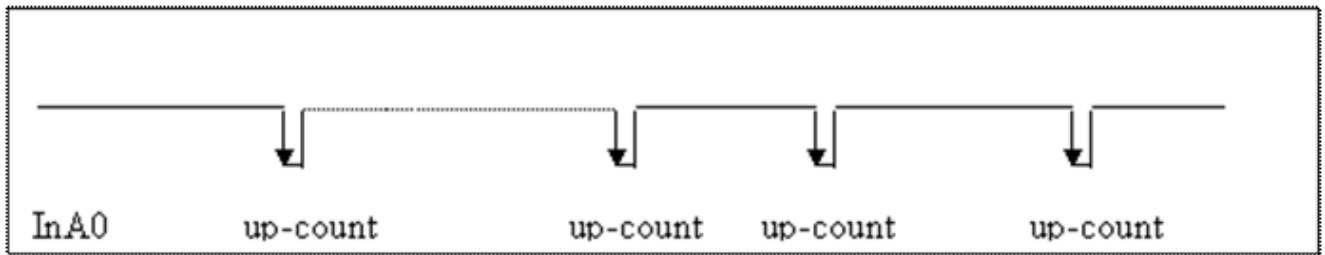
Auto Frequency = the frequency channel will be updated every 330 million seconds;

Low Frequency = the frequency channel will be updated every 1000 million seconds;

High Frequency = the frequency channel will be updated every 100 million seconds;

2.3.4.Mode 03: Up Counting

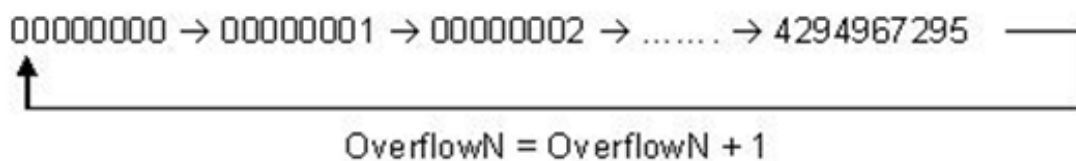
The counter operation for mode 03 is as follows:



Counter_0 will increment by one for every falling edge of InA0

Up Counter	Counting Variable	Total Counting Value
A0	Count0, Overflow0	Count0 + Overflow0 * 4294967296
B0	Count1, Overflow1	Count1 + Overflow1 * 4294967296
A1	Count2, Overflow2	Count2 + Overflow2 * 4294967296
B1	Count3, Overflow3	Count3 + Overflow3 * 4294967296
A2	Count4, Overflow4	Count4 + Overflow4 * 4294967296
B2	Count5, Overflow5	Count5 + Overflow5 * 4294967296
A3	Count6, Overflow6	Count6 + Overflow6 * 4294967296
B3	Count7, Overflow7	Count7 + Overflow7 * 4294967296

The counter operation is as follows:



CountN =

current counter value for channel N, 32bit wide, from 0 to 4294967295

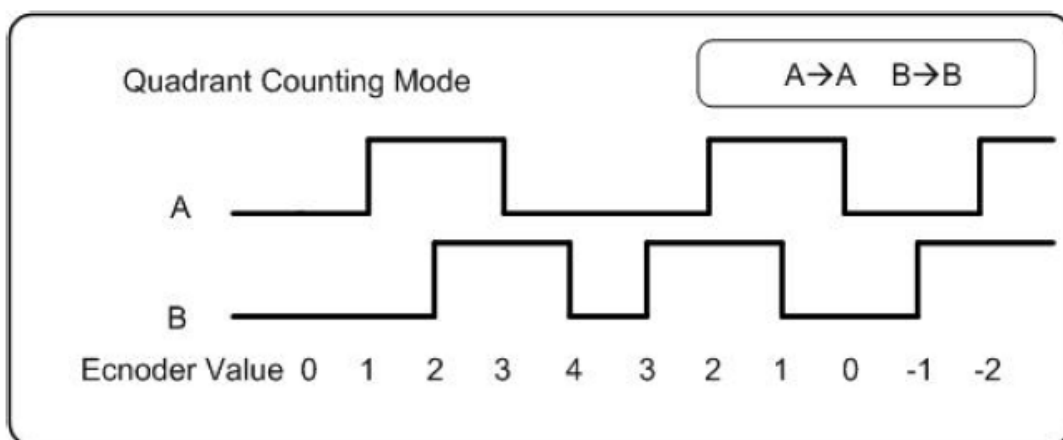
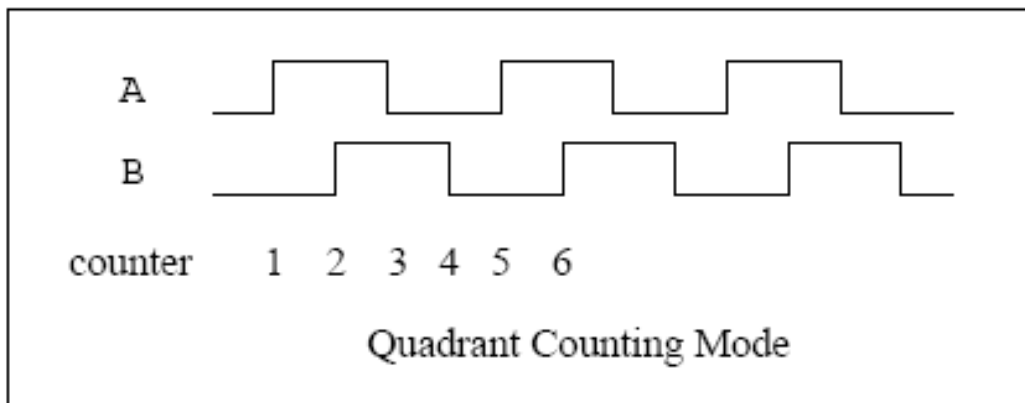
OverflowN =

The counting overflow number for channel N, 16bit wide, from 0 to 65535

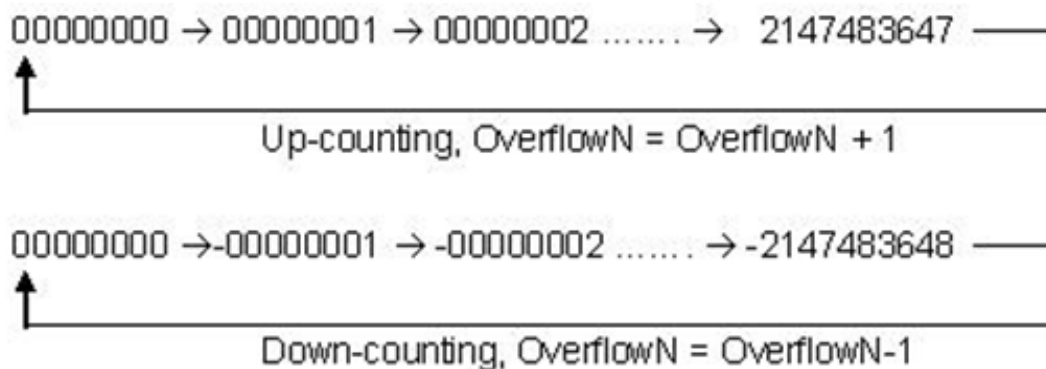
Total Counting Value = CountN + OverflowN * 4294967296

Total Counting Bit = 32bit + 16bit = 48bit

2.3.5.Mode 04: Quadrant Counting



When InA0 is used as a UP_clock and InB0 is used as a DOWN_clock. The counter_0 will be increased by one for every falling edge of InA0 and decreased by one for every falling edge of InB0.



3. Usage on the LinPAC

LinPAC Introduction and Software Development

I-8084W can be plugged on the LinPAC-8000 . Please refer to the Web site

http://www.icpdas.com/products/PAC/linpac-8000/lp-8x3x_hardware.htm

http://www.icpdas.com/products/PAC/linpac-8000/lp-8x4x_hardware.htm

http://www.icpdas.com/products/PAC/linpac-8000/lp-8x81_hardware.htm

I-8084W Demo for LinPAC-8000

The latest demo at C:\cygwin\LinCon8k\examples\i8k in LinPAC SDK as below:

<http://ftp.icpdas.com/pub/cd/linpac/napdos/lp-8x4x/sdk/>

3.1. i8084W_GetLibVersion

Get the version number of i8084 library Rev:5.0.0

Syntax

```
int i8084W_GetLibVersion()
```

3.2. i8084W_GetLibDate

Get the date of 8084 library , Sep 03 2003

Syntax

Void i8084W_GetLibDate(char* LibDate)

3.3. i8084W_InitDriver

Configure the 8084 with the setting stored in the EEPROM.

If there is no settings stored in the EEPROM, the function will call i8084W_RecoverDefaultSetting.

Syntax

```
int i8084W_InitDriver(int Slot)
```

Parameter and Return Values

Slot:

1~8

Return:

0 → OK

-1 → Module not found

>0 → Some Pulse/Dir counters have one count offset (+1)

Bit0=1 A0 has one count offset (+1)

Bit2=1 A1 has one count offset (+1)

Bit4=1 A2 has one count offset (+1)

Bit6=1 A3 has one count offset (+1)

(due to the input channel is high)

3.4. i8084W_SetChannelMode

There are four operation modes in I-8048W. The function is used to set the operation mode of channel of I-8084W.

Syntax

```
int i8084W_SetChannelMode(int Slot, int Channel, int Mode)
```

Parameter and Return Values

Slot:

1~8

Channel:

0 ~ 7

Mode:

0 → Dir/Pulse Counter

1 → Up/Down Counter

2 → Frequency

3 → Up Counter

4 --> AB Phase

Return:

0 → No error

1 → The Pulse/Dir counter has one count offset (+1)

(due to the input channel is high)

3.5. i8084W_AutoScan

Auto scan the I-8084W to updates 8 channels.

Syntax

```
int i8084W_AutoScan(void)
```

Parameter and Return Values

Remark

This function is used to update the hardware counter values.

The hardware counter is 16-bit.

User's code must call the function or `i8084W_ReadCntPulseDir`,

`i8084W_ReadCntUpDown`, `i8084W_ReadFreq`, `i8084W_ReadCntUp` before the hardware counter is overflow.

Under very high speed signal input, for example: 450K Hz, the 16-bit counter is overflow round 145 ms.

To avoid the overflow situation, user's code is recommended to call `i8084W_AutoScan` every 70 ms.

3.6. i8084W_ReadCntABPhase

The function is used to read ABPhase counter.

Syntax

```
int i8084W_ReadCntABPhase(int Slot, int Channel, long *Cnt32U, int *Overflow)
```

3.7. i8084W_ReadCntPulseDir

The function is used to Read Pulse/Dir Counter

Syntax

```
int i8084W_ReadCntPulseDir(int Slot, int Channel, long *Cnt32U, int *Overflow)
```

Parameter and Return Values

Slot:

1~8

Channel:

0 ~ 7

Cnt32L =

32-bit → UpDown Counter

Bit31= 0 → Up Count (count > 0)

Bit31 = 1 → Down Count (count < 0)

Overflow =

number of overflow

Total count =

over * 0 x 80000000 + count

Example A:

Over = 1 , count = 16384,

total count = (1) * 0 x 80000000 + 16384 = 2147500032

Example B:

Over = -1 , count = -8192,

total count = (-1)*0x80000000 -8192 = -2147491840

3.8. i8084W_ReadCntUpDown

The function is used to Read UpDown Counter

Syntax

```
int i8084W_ReadCntUpDown(int Slot, int Channel, long *Cnt32U, int *Overflow)
```

Parameter and Return Values

Slot:

1~8

Channel:

0 ~ 7

Cnt32L =

32-bit → UpDown Counter

Bit31= 0 → Up Count (count > 0)

Bit31 = 1 → Down Count (count < 0)

Overflow =

number of overflow

Total count

= over * 0 x 80000000 + count

Example A:

Over = 1 , count = 16384,

total count = (1) * 0 x 80000000 + 16384 = 2147500032

Example B:

Over = -1 , count = -8192,

total count = (-1)*0x80000000 -8192 = -2147491840

3.9. i8084W_ReadFreq

The function is used to read frequency.

Syntax

```
int i8084W_ReadFreq(int Slot, int Channel, unsigned long *Freq);
```

```
int i8084W_ReadFreq(int Slot, int Channel, float *Freq);
```

Parameter and Return Values

Slot:

1~8

Channel:

0 ~ 7

Freq:

Unit = Hz

3.10. i8084W_ReadCntUp

The function is used to Read Up Counter

Syntax

```
int i8084W_ReadCntUp(int Slot, int Channel, unsigned long *Cnt32U, unsigned int  
*OverFlow)
```

Parameter and Return Values

Slot:

1~8

Channel:

0 ~ 7

Cnt32U =

32-bit Up Counter

Overflow =

number of Overflow

Total count =

over * 0x100000000 + count

ExampleA:

over=1 , count=16384,

total count = (1)*0x100000000 +16384 = 4294983680

3.11. i8084W_ClrCnt

Clear Counter

Syntax

```
int i8084W_ClrCnt(int Slot, int Channel)
```

Parameter and Return Values

Slot:

1~8

Channel:

0 ~ 7

Return:

0 → No error

1 → The Pulse/Dir counter has one count offset (+1).

It is due to the pulse channel is high.

The correct initial situation is:

Pulse channel is low or open

dir signal is high or low.

3.12. i8084W_RecoverDefaultSetting

The function is used to recover default setting of I-8048W.

Syntax

```
void i8084W_RecoverDefaultSetting(int Slot)
```

Parameter and Return Values

Slot:

1~8

Remark

Default settings:

XOR register=0

Channel mode= 3 (Up counter mode)

Frequency operate mode = 0 (Auto mode)

Frequency update time: Auto mode = 330 ms

Low freq mode = 1000 ms

High freq mode = 100 ms

Low Pass Filter status = disable

Low Pass Filter signal width = 1 ms

3.13. i8084W_ReadXorRegister

Syntax

int i8084W_ReadXorRegister(int Slot, int Channel, int *XorReg)

Parameter and Return Values

Slot:

1~8

Channel:

0~7

XorReg:

0 → Low active (signal from High to Low, count changed)

1 → High active (signal from Low to High, count changed)

Return:

0 → OK

Others → Error codes

3.14. i8084W_SetXorRegister

Syntax

int i8084W_SetXorRegister(int Slot, int Channel, int XorReg)

Parameter and Return Values

Slot:

1~8

Channel:

0~7

XorReg:

0 → Low active (signal from High to Low, count count changed)

1 → High active (signal from Low to High, count changed)

Return:

0 → No error

1 → The Pulse/Dir counter has one count offset (+1)

(due to the input channel is high)

3.15. i8084W_ReadChannelMode

Syntax

int i8084W_ReadChannelMode(int Slot, int Channel, int *Mode)

Parameter and Return Values

Slot:

1~8

Channel:

0~7

Mode:

0 → Dir/Pulse Counter

1 → Up/Down Counter

2 → Frequency

3 → Up Counter

4 --> AB Phase

3.16. i8084W_ReadLowPassFilter_Us

Read Low Pass Filter

Syntax

```
int i8084W_ReadLowPassFilter_Us(int Slot, int Channel, unsigned int *Us);
```

Parameter and Return Values

Slot:

1~8

Channel:

0~7

Us:

1~32767, pulse width, unit = 0.001 ms

3.17. i8084W_SetLowPassFilter_Us

Set Low Pass Filter

Syntax

```
int i8084W_SetLowPassFilter_Us(int Slot, int Channel, unsigned int Us)
```

Parameter and Return Values

Slot:

1~8

Channel:

0~7

Us:

1~32767, pulse width, unit = micro second

3.18. i8084W_ReadLowPassFilter_Status

Syntax

```
void i8084W_ReadLowPassFilter_Status(int Slot,int Channel,int *Status);
```

Parameter and Return Values

Slot:

1~8

Channel:

0~7

Status:

0 = disable

1 = enable

3.19. i8084W_SetLowPassFilter_Status

Syntax

```
void i8084W_SetLowPassFilter_Status(int Slot,int Channel,int Status);
```

Parameter and Return Values

Slot:

1~8

Channel:

0~7

Status:

0 = disable

1 = enable

3.20. i8084W_ReadFreqMode

Syntax

```
void i8084W_ReadFreqMode(int Slot, int Channel, int *Mode);
```

Parameter and Return Values

Slot:

1~8

Channel:

0~7

*Mode:

0 = Auto

1 = Low Frequency

2 = High Frequency

3.21. i8084W_SetFreqMode

Syntax

```
void i8084W_SetFreqMode(int Slot, int Channel, int Mode);
```

Parameter and Return Values

Slot:

1~8

Channel:

0~7

*Mode:

0 = Auto

1 = Low Frequency

2 = High Frequency

3.22. i8084W_ReadFreqUpdateTime

Reads the update time used by frequency measurement algorithm

Syntax

```
void i8084W_ReadFreqUpdateTime(int Slot, int *AutoMode_UpdateTime ,  
int *LowMode_UpdateTime, int *HighMode_UpdateTime);
```

Parameter and Return Values

Slot:

1~8

AutoMode_UpdateTime =

time period for Auto mode, unit: ms

LowMode_UpdateTime =

time period for Low Frequency mode, unit: ms

HighMode_UpdateTime =

time period for High Frequency mode, unit: ms

3.23. i8084W_SetFreqUpdateTime

Sets the update time used by frequency measurement algorithm

Syntax

```
int i8084W_SetFreqUpdateTime(int Slot, int AutoMode_UpdateTime, int  
LowMode_UpdateTime, int HighMode_UpdateTime);
```

Parameter and Return Values

Slot:

1~8

AutoMode_UpdateTime =

time period for Auto mode, unit: ms

LowMode_UpdateTime =

time period for Low Frequency mode, unit: ms

HighMode_UpdateTime =

time period for High Frequency mode, unit: ms

3.24. i8084W_ReadDI_Xor

Syntax

```
int i8084W_ReadDI_Xor(int Slot, int *DI);
```

Parameter and Return Values

Slot:

1~8

*DI: Bit0 = DI of A0 after XorControl

*DI: Bit1 = DI of B0 after XorControl

...

*DI: Bit7 = DI of B3 after XorControl

Return:

0 → OK

<> 0 → Error codes

3.25. i8084W_ReadDI_XorLPF

Syntax

```
int i8084W_ReadDI_XorLPF(int Slot, int *DI);
```

Parameter and Return Values

Slot:

1~8

*DI: Bit0 = DI of A0 after XorControl & Low Pass Filter

*DI: Bit1 = DI of B0 after XorControl & Low Pass Filter

...

*DI: Bit7 = DI of B3 after XorControl & Low Pass Filter

Return:

0 → OK

<> 0 → Error codes

3.26. i8084W_EepWriteEnable

Write_Enable EEPROM

Syntax

```
int i8084W_EepWriteEnable(int Slot);
```

Parameter and Return Values

Slot:

1~8

Return:

0 → OK

Others → Error codes

3.27. i8084W_EepWriteDisable

Write_Disable EEPROM

Syntax

```
int i8084W_EepWriteDisable(int Slot);
```

Parameter and Return Values

Slot:

1~8

Return:

0 → OK

Others → Error codes

3.28. i8084W_EepWriteWord

Write 16-bit data to EEP

Syntax

```
int i8084W_EepWriteWord(int Slot, int Addr, int Value);
```

Parameter and Return Values

Slot:

1~8

Addr:

0~39 for users

40~63 for 8084 configuration

Value = two bytes integer

Return:

0 → OK

-1 → Address error

3.29. i8084W_EepReadWord

Read 16-bit data to EEP

Syntax

```
int i8084W_EepReadWord(int Slot, int Addr, int *Value);
```

Parameter and Return Values

Slot:

1~8

Addr:

0~39 for users

40~63 for 8084 configuration

Value = two bytes integer

Return:

0 → OK

-1 → Address error